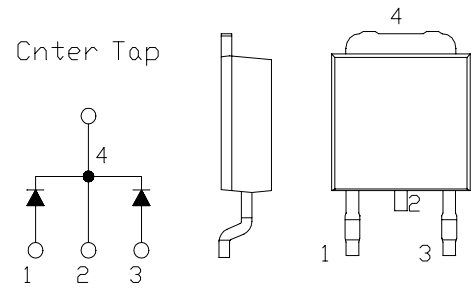


# SBD Type : ECL06B03-F

## OUTLINE DRAWING

### FEATURES

- \* TO-252AA Case, Surface Mount Device
- \* Dual Diodes Cathode Common
- \* Extremely Low Forward Voltage drop
- \* Low Power Loss
- \* High Surge Capability
- \* Packaged in 16mm Tape and Reel



### Maximum Ratings

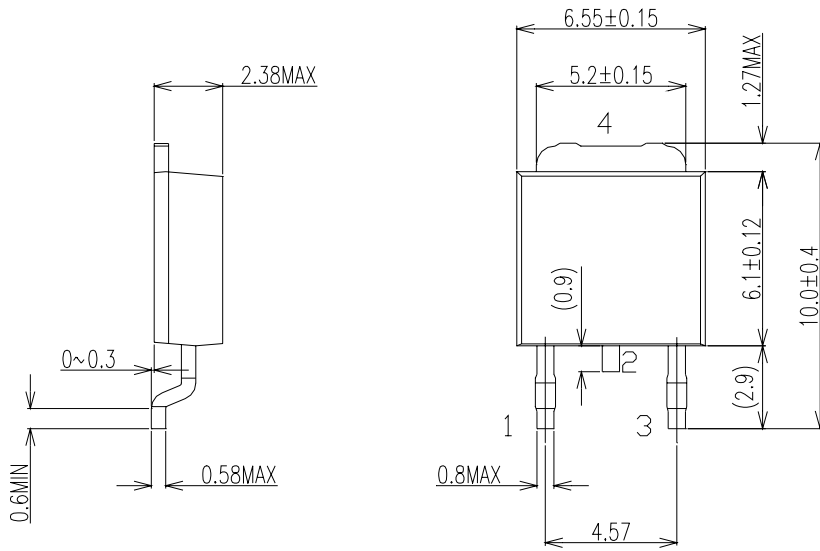
Approx Net Weight:0.30g

Rating	Symbol	ECL06B03-F			Unit
Repetitive Peak Reverse Voltage	$V_{RRM}$	30			V
Average Rectified Output Current	$I_O$	6.0	$T_c=70^\circ\text{C}$	50Hz Full Sine Wave Resistive Load	A
RMS Forward Current	$I_{F(RMS)}$	6.66			A
Surge Forward Current	$I_{FSM}$	45	50Hz Full Sine Wave, 1cycle, Non-repetitive		A
Operating Junction Temperature Range	$T_{jw}$	- 40 to + 100			$^\circ\text{C}$
Storage Temperature Range	$T_{stg}$	- 40 to + 125			$^\circ\text{C}$

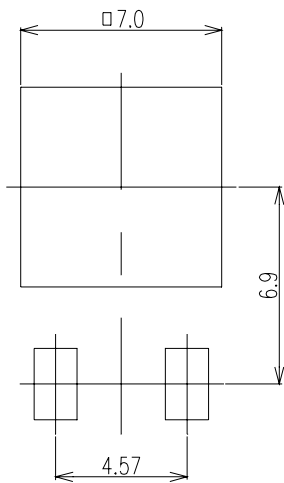
### Electrical • Thermal Characteristics

Characteristics	Symbol	Conditions	Min	Typ	Max	Unit
Peak Reverse Current	$I_{RM}$	$T_j=25^\circ\text{C}, V_{RM}=V_{RRM}$ per Arm	-	-	3.0	mA
Peak Forward Voltage	$V_{FM}$	$T_j=25^\circ\text{C}, I_{FM}= 3\text{A}$ per Arm	-	-	0.47	V
Thermal Resistance	Junction to Case	$R_{th(j-c)}$	-	-	5	$^\circ\text{C/W}$

ECL06B03-F OUTLINE DRAWING (Dimensions in mm)



SOLDERING PAD



Center Tap

