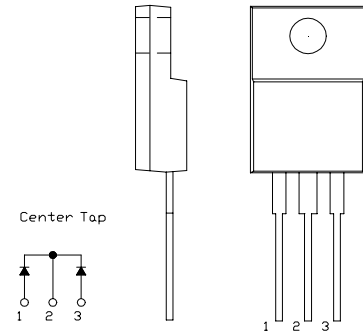


# FRD Type : FCF06A20

## OUTLINE DRAWING

### FEATURES

- \* Fully Molded Isolation
- \* Dual Diodes – Cathode Common
- \* Ultra – Fast Recovery
- \* Low Forward Voltage Drop
- \* High Surge Capability
- \* 200 Volts thru 600 Volts Types Available



### Maximum Ratings

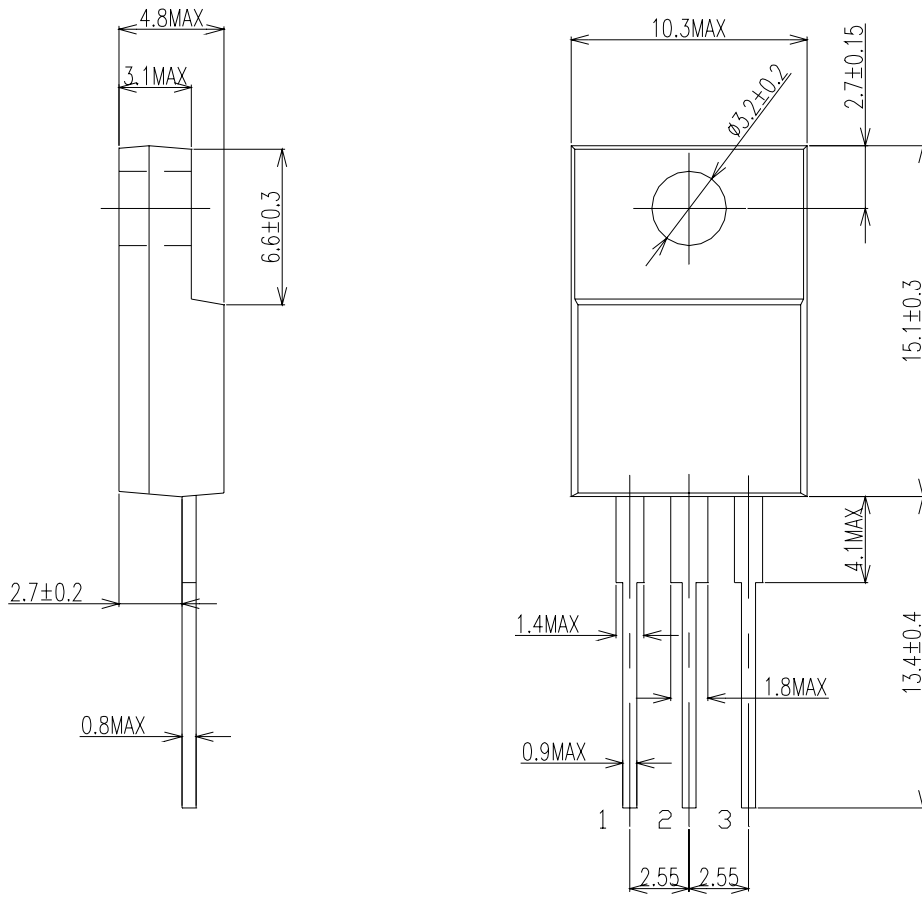
Approx Net Weight:1.75g

| Rating                               | Symbol       | FCF06A20      |   | Unit        |
|--------------------------------------|--------------|---------------|---|-------------|
| Repetitive Peak Reverse Voltage      | $V_{RRM}$    | 200           |   | V           |
| Non-repetitive Peak Reverse Voltage  | $V_{RSM}$    | 220           |   | V           |
| Average Rectified Output Current     | $I_O$        | 6             | $T_c=123^{\circ}C$ 50 Hz, Full Sine Wave Resistive Load | A           |
| RMS Forward Current                  | $I_{F(RMS)}$ | 6.7           |   | A           |
| Surge Forward Current                | $I_{FSM}$    | 60            | 50 Hz Full Sine Wave, 1 cycle Non-repetitive            | A           |
| Operating Junction Temperature Range | $T_{jw}$     | - 40 to + 150 |   | $^{\circ}C$ |
| Storage Temperature Range            | $T_{stg}$    | - 40 to + 150 |   | $^{\circ}C$ |
| Mounting torque                      |              | 0.5           | Recommended value                                       | N•m         |

### Electrical • Thermal Characteristics

| Characteristics       | Symbol        | Conditions   | Min. | Typ. | Max. | Unit          |
|-----------------------|---------------|--|------|------|------|---------------|
| Peak Reverse Current  | $I_{RM}$      | $T_j=25^{\circ}C, V_{RM}=V_{RRM}$ per Arm                | -    | -    | 10   | $\mu A$       |
| Peak Forward Voltage  | $V_{FM}$      | $T_j=25^{\circ}C, I_{FM}=3A$ per Arm                     | -    | -    | 0.98 | V             |
| Reverse Recovery Time | $t_{rr}$      | $I_{FM}= 3 A,$<br>$-di/dt= 50 A/\mu s, T_a= 25^{\circ}C$ | -    | -    | 30   | ns            |
| Thermal Resistance    | $R_{th(j-c)}$ | Junction to Case   | -    | -    | 4    | $^{\circ}C/W$ |
|                       | $R_{th(c-f)}$ | Case to Fin  | -    | -    | 1.5  |               |

FCF06A20 OUTLINE DRAWING (Dimensions in mm)



Center Tap

