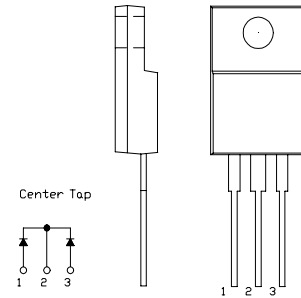


SBD Type : FCL10A015

OUTLINE DRAWING

FEATURES

- *TO-220AB Case
- *Fully Molded
- *Dual Diodes – Cathode Common
- *Extremely Low Forward Voltage Drop
- *Oring Diode
- *High Surge Capability



Maximum Ratings

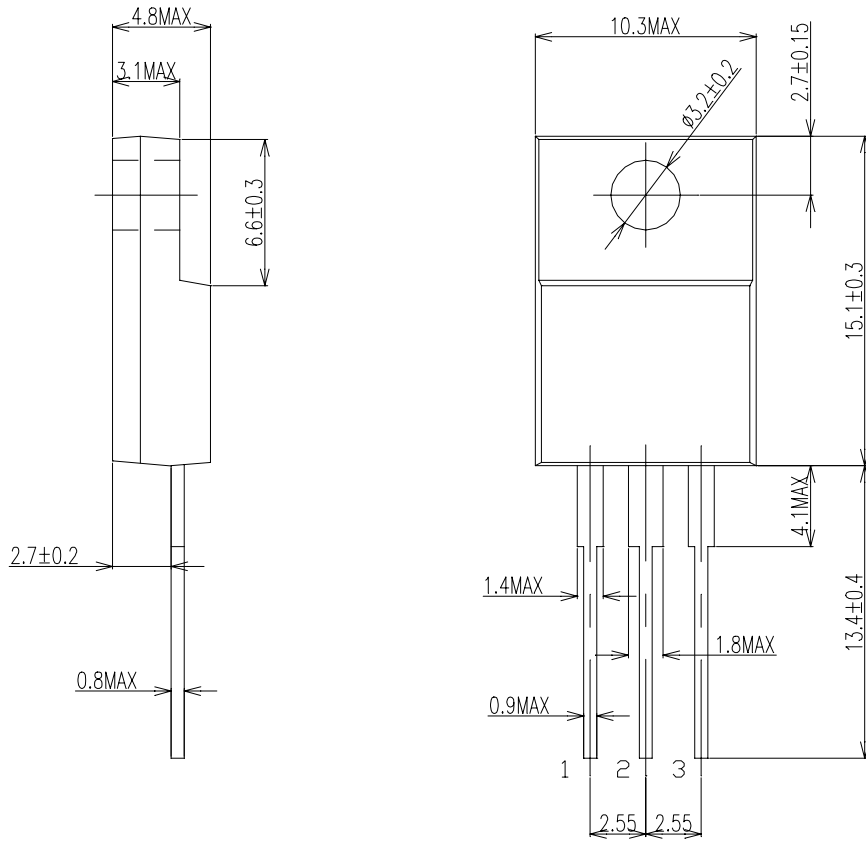
Approx Net Weight: 1.75g

Rating	Symbol	FCL10A015			Unit
Repetitive Peak Reverse Voltage	V_{RRM}	15			V
Average Rectified Output Current	I_O	10	$T_c=99^\circ\text{C}$	50 Hz Full Sine Wave Resistive Load	A
RMS Forward Current	$I_{F(RMS)}$	11.1			A
Surge Forward Current	I_{FSM}	130	50Hz Full Sine Wave ,1cycle Non-repetitive		A
Operating Junction Temperature Range	T_{jw}	-40 to +125			$^\circ\text{C}$
Storage Temperature Range	T_{stg}	-40 to +125			$^\circ\text{C}$
Mounting torque	F_{tor}	recommended torque = 0.5			N•m

Electrical • Thermal Characteristics

Characteristics	Symbol	Conditions	Min.	Typ.	Max.	Unit
Peak Reverse Current	I_{RM}	$T_j= 25^\circ\text{C}$, $V_{RM}= V_{RRM}$ per arm	-	-	5	mA
Peak Forward Voltage	V_{FM}	$T_j= 25^\circ\text{C}$, $I_{FM}= 5\text{ A}$ per arm	-	-	0.38	V
Thermal Resistance	$R_{th(j-c)}$	Junction to Case	-	-	3	$^\circ\text{C/W}$
	$R_{th(c-f)}$	Case to Fin	-	-	1.5	$^\circ\text{C/W}$

FCL10A015 OUTLINE DRAWING (Dimensions in mm)



Center Tap

