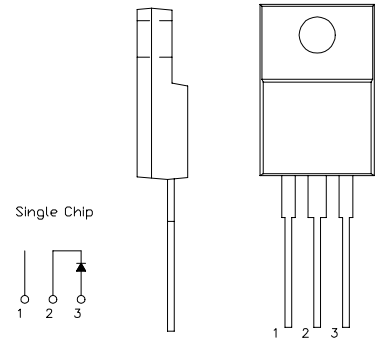


SBD Type : FSH05A09B

OUTLINE DRAWING

FEATURES

- *Similar to TO-220AB Case
- *Fully Molded Isolation
- *Low Forward Voltage Drop
- *Low Power Loss,High Efficiency
- *High Surge Capability
- *Tj=150 °C operation



Maximum Ratings

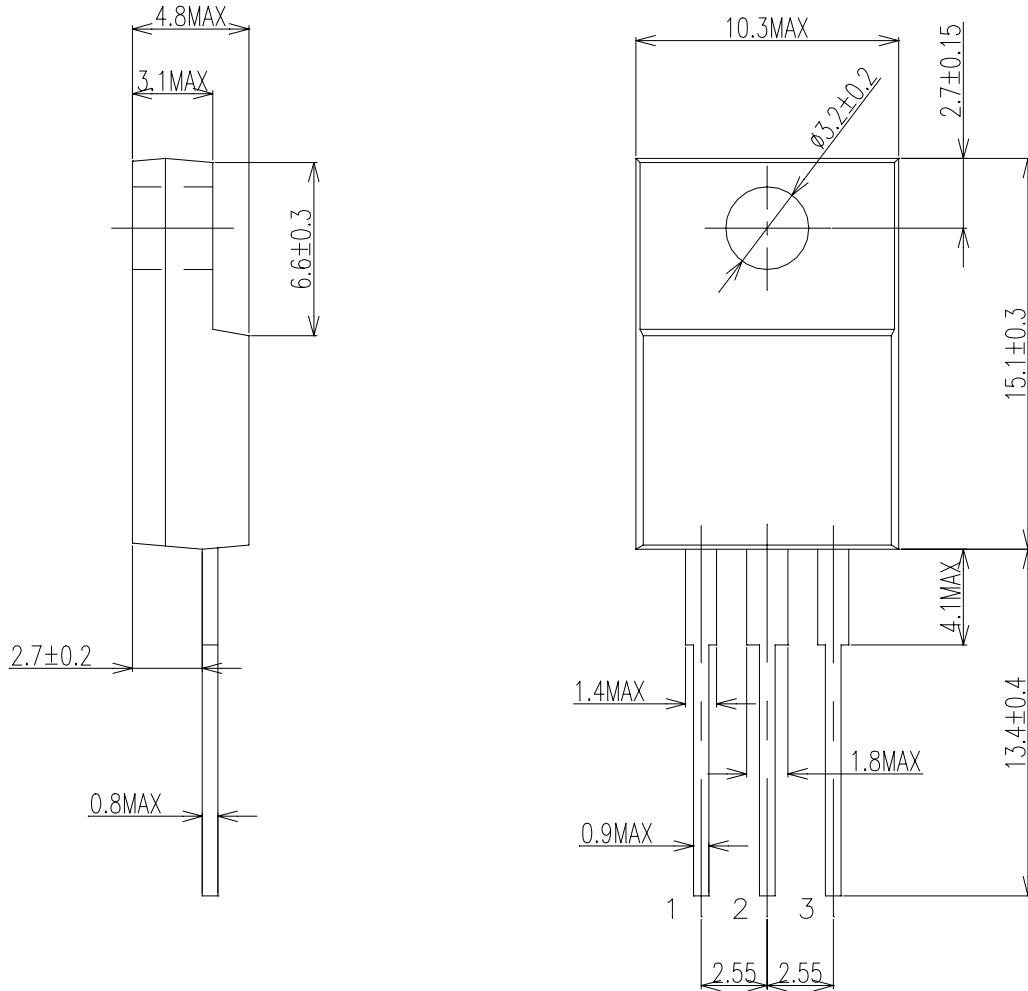
Approx Net Weight: 1.75g

| Rating | Symbol | FSH05A09B | | Unit |
|-------------------------------------|--------------|--------------------------|--|------|
| Repetitive Peak Reverse Voltage | V_{RRM} | 90 | | V |
| Average Rectified Output Current | I_O | 5 | Tc=127°C 50 Hz half Sine Wave Resistive Load | A |
| RMS Forward Current | $I_{F(RMS)}$ | 7.85 | | A |
| Surge Forward Current | I_{FSM} | 120 | 50Hz Half Sine Wave ,1cycle Non-repetitive | A |
| Operating JunctionTemperature Range | T_{jw} | -40 to +150 | | °C |
| Storage Temperature Range | T_{stg} | -40 to +150 | | °C |
| Mounting torque | F_{tor} | recommended torque = 0.5 | | N•m |

Electrical • Thermal Characteristics

| Characteristics | Symbol | Conditions | Min. | Typ. | Max. | Unit |
|----------------------|---------------|-----------------------------|------|------|------|------|
| Peak Reverse Current | I_{RM} | Tj= 25°C, $V_{RM}= V_{RRM}$ | - | - | 1 | mA |
| Peak Forward Voltage | V_{FM} | Tj= 25°C, $I_{FM}= 5 A$ | - | - | 0.85 | V |
| Thermal Resistance | $R_{th(j-c)}$ | Junction to Case | - | - | 5 | °C/W |
| | $R_{th(c-f)}$ | Cace to Fin | - | - | 1.5 | °C/W |

FSH05A09B OUTLINE DRAWING (Dimension in mm)



Single Chip

