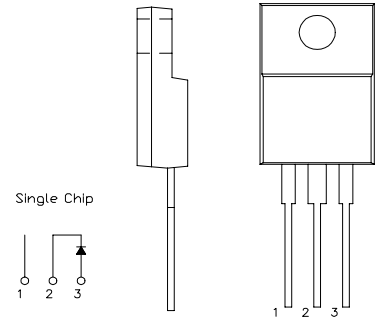


SBD Type : FSQ10A04B

OUTLINE DRAWING

FEATURES

- *Similar to TO-220AB Case
- *Fully Molded Isolation
- *Low Forward Voltage Drop
- *Low Power Loss,High Efficiency
- *High Surge Capability
- *Tj=150 °C operation



Maximum Ratings

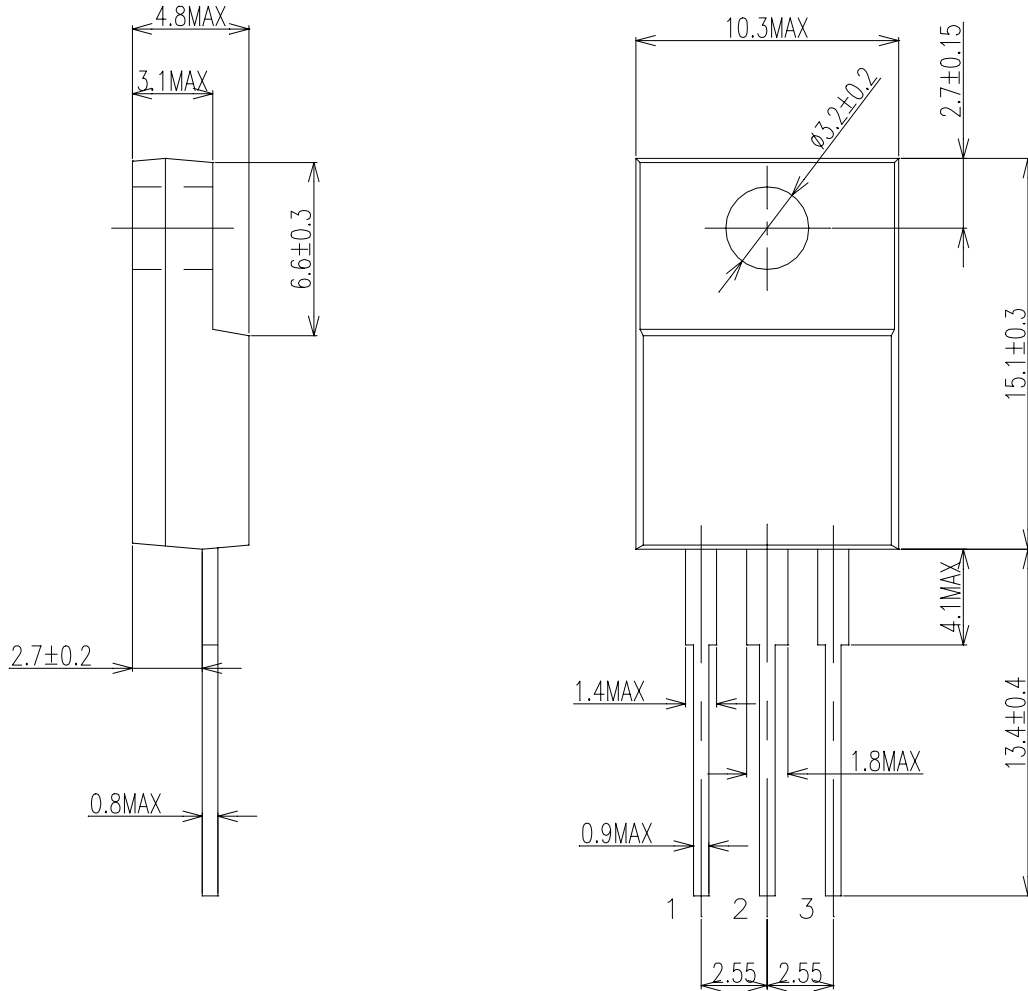
Approx Net Weight: 1.75g

Rating	Symbol	FSH10A04B			Unit
Repetitive Peak Reverse Voltage	V_{RRM}	40			V
Non-repetitive Peak Reverse Voltage	V_{RSM}	45			V
Average Rectified Output Current	I_O	10	$T_c=119^{\circ}C$	50 Hz half Sine Wave Resistive Load	A
RMS Forward Current	$I_{F(RMS)}$	15.7			A
Surge Forward Current	I_{FSM}	180	50Hz Half Sine Wave ,1cycle Non-repetitive		A
Operating JunctionTemperature Range	T_{jw}	-40 to +150			°C
Storage Temperature Range	T_{stg}	-40 to +150			°C
Mounting torque	F_{tor}	recommended torque = 0.5			N•m

Electrical • Thermal Characteristics

Characteristics	Symbol	Conditions	Min.	Typ.	Max.	Unit
Peak Reverse Current	I_{RM}	$T_j= 25^{\circ}C, V_{RM}= V_{RRM}$	-	-	10	mA
Peak Forward Voltage	V_{FM}	$T_j= 25^{\circ}C, I_{FM}= 10 A$	-	-	0.59	V
Thermal Resistance	$R_{th(j-c)}$	Junction to Case	-	-	3	°C /W
	$R_{th(c-f)}$	Cace to Fin	-	-	1.5	°C /W

FSQ10A04B OUTLINE DRAWING (Dimension in mm)



Single Chip

