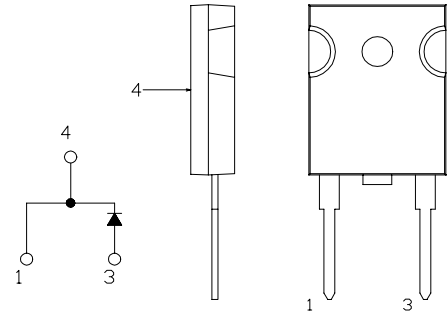


SBD Type : KSQ15A04

OUTLINE DRAWING

FEATURES

- * Similar to TO-247AC(TO-3P)Case
- * Low Forward Voltage Drop
- * Low Power Loss,High Efficiency
- * High Surge Current Capability
- * 40 Volts thru 60 Volts Types Available



Maximum Ratings

Approx Net Weight: 5.5g

| Rating | Symbol | KSQ15A04 | | | Unit |
|-------------------------------------|--------------|--------------------------|--|-------------------------------------|-------------|
| Repetitive Peak Reverse Voltage | V_{RRM} | 40 | | | V |
| Non-repetitive Peak Reverse Voltage | V_{RSM} | 45 | | | V |
| Average Rectified Output Current | I_O | 15 | $T_c=120^{\circ}C$ | 50 Hz half Sine Wave Resistive Load | A |
| RMS Forward Current | $I_{F(RMS)}$ | 23.5 | | | A |
| Surge Forward Current | I_{FSM} | 250 | 50Hz Half Sine Wave ,1cycle Non-repetitive | | A |
| Operating JunctionTemperature Range | T_{jw} | -40 to +150 | | | $^{\circ}C$ |
| Storage Temperature Range | T_{stg} | -40 to +150 | | | $^{\circ}C$ |
| Mounting torque | Ftor | recommended torque = 0.5 | | | N•m |

Electrical • Thermal Characteristics

| Characteristics | Symbol | Conditions | Min. | Typ. | Max. | Unit |
|---------------------------------------|---------------|-------------------------------------|------|------|------|---------------|
| Peak Reverse Current | I_{RM} | $T_j= 25^{\circ}C, V_{RM}= V_{RRM}$ | - | - | 15 | mA |
| Peak Forward Voltage | V_{FM} | $T_j= 25^{\circ}C, I_{FM}= 15 A$ | - | - | 0.55 | V |
| Thermal Resistance Junction to Case | $R_{th(j-c)}$ | Junction to Case | - | - | 2.0 | $^{\circ}C/W$ |

KSQ15A04 OUTLINE DRAWING (Dimension in mm)

