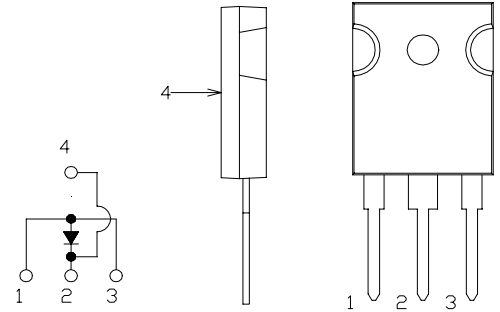


SBD Type : KSQ60A04B

OUTLINE DRAWING

FEATURES

- * Similar to TO-247AC(TO-3P)Case
- * Low Forward Voltage Drop
- * Low Power Loss,High Efficiency
- * High Surge Current Capability
- * 30 Volts thru 60 Volts Types Available



Maximum Ratings

Approx Net Weight: 5.55g

Rating	Symbol	KSQ60A04B			Unit
Repetitive Peak Reverse Voltage	V_{RRM}	40			V
Average Rectified Output Current *1	I_O	60	$T_c=100^{\circ}C$	50 Hz half Sine Wave Resistive Load	A
RMS Forward Current	$I_{F(RMS)}$	94.2			A
Surge Forward Current	I_{FSM}	700	50Hz Half Sine Wave ,1cycle Non-repetitive		A
Operating JunctionTemperature Range	T_{jw}	-40 to +150			$^{\circ}C$
Storage Temperature Range	T_{stg}	-40 to +150			$^{\circ}C$
Mounting torque	F_{tor}	recommended torque = 0.5			N•m

*1:Anode Terminals 1 and 3 Connected

Electrical • Thermal Characteristics

Characteristics	Symbol	Conditions	Min.	Typ.	Max.	Unit
Peak Reverse Current	I_{RM}	$T_j= 25^{\circ}C, V_{RM}= V_{RRM}$	-	-	40	mA
Peak Forward Voltage *1	V_{FM}	$T_j= 25^{\circ}C, I_{FM}= 60 A$	-	-	0.62	V
Thermal Resistance Junction to Case	$R_{th(j-c)}$	Junction to Case	-	-	0.75	$^{\circ}C/W$

*1:Anode Terminals 1 and 3 Connected

KSQ60A04B OUTLINE DRAWING (Dimensions in mm)

