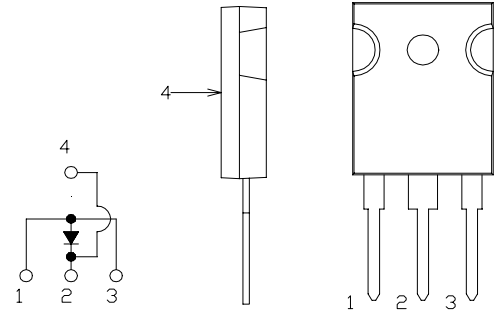


# SBD Type : KSQ60A06B

OULINE DRAWING

### FEATURES

- \* Similar to TO-247AC(TO-3P)Case
- \* Low Forward Voltage Drop
- \* Low Power Loss,High Efficiency
- \* High Surge Current Capability
- \* 30 Volts thru 60 Volts Types Available



### Maximum Ratings

Approx Net Weight: 5.55g

Rating	Symbol	KSQ60A06B			Unit
Repetitive Peak Reverse Voltage	$V_{RRM}$	60			V
Average Rectified Output Current *1	$I_O$	60	$T_c=87^\circ\text{C}$	50 Hz half Sine Wave Resistive Load	A
RMS Forward Current	$I_{F(RMS)}$	94.2			A
Surge Forward Current	$I_{FSM}$	700	50Hz Half Sine Wave ,1cycle Non-repetitive		A
Operating JunctionTemperature Range	$T_{jw}$	-40 to +150			$^\circ\text{C}$
Storage Temperature Range	$T_{stg}$	-40 to +150			$^\circ\text{C}$
Mounting torque	$F_{tor}$	recommended torque = 0.5			$\text{N}\cdot\text{m}$

\*1:Anode Terminals 1 and 3 Connected

### Electrical • Thermal Characteristics

Characteristics	Symbol	Conditions	Min.	Typ.	Max.	Unit
Peak Reverse Current	$I_{RM}$	$T_j= 25^\circ\text{C}, V_{RM}= V_{RRM}$	-	-	40	mA
Peak Forward Voltage *1	$V_{FM}$	$T_j= 25^\circ\text{C}, I_{FM}= 60 \text{ A}$	-	-	0.71	V
Thermal Resistance   Junction to Case	$R_{th(j-c)}$	Junction to Case	-	-	0.75	$^\circ\text{C}/\text{W}$

\*1:Anode Terminals 1 and 3 Connected

KSQ60A06B OUTLINE DRAWING (Dimensions in mm)

