

## 1.5GHz/1.9GHz MIXER GaAs MMIC

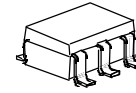
### ■GENERAL DESCRIPTION

NJG1552F is a mixer GaAs MMIC featured low power consumption, high conversion gain and low noise figure.

This mixer includes a local amplifier, and ideally suitable for 1.5/1.9Hz band digital mobile phone and PHS handsets.

The very small MTP package is adopted.

### ■PACKAGE OUTLINE

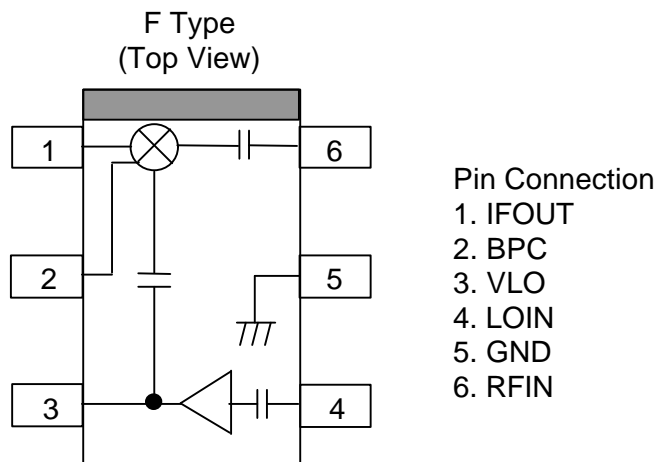


NJG1552F

### ■FEATURES

- |                          |  |
|--------------------------|--|
| ●Low voltage operation   | +2.7V  |
| ●Low current consumption | 4.5mA typ.   |
| ●High conversion gain    | 8dB typ. @ $f_{RF}=1.489\text{GHz}$ , $P_{LO}=-10\text{dBm}$ , $P_{RF}=-30\text{dBm}$<br>5dB typ. @ $f_{RF}=1.9\text{GHz}$ , $P_{LO}=-10\text{dBm}$ , $P_{RF}=-30\text{dBm}$ |
| ●Low noise figure        | 6dB typ. @ $f_{RF}=1.489\text{GHz}$ , $P_{LO}=-10\text{dBm}$<br>9dB typ. @ $f_{RF}=1.9\text{GHz}$ , $P_{LO}=-10\text{dBm}$   |
| ●Package                 | MTP6 (Mount Size: 2.8x2.9x1.2mm)   |

### ■PIN CONFIGURATION



# NJG1552F

## ■ABSOLUTE MAXIMUM RATINGS

( $T_a=25^{\circ}\text{C}$ ,  $Z_s=Z_l=50\Omega$ )

PARAMETERS	SYMBOL	CONDITIONS	RATINGS	UNITS
Mixer Supply Voltage	$V_{\text{MIX}}$		5	V
Local Amplifier Supply Voltage	$V_{\text{LO}}$		5	V
Mixer RF Input Power	$P_{\text{RFIN}}$	$V_{\text{MIX}}=2.7\text{V}$ , $V_{\text{LO}}=2.7\text{V}$	10	dBm
Mixer LO Input Power	$P_{\text{LOIN}}$	$V_{\text{MIX}}=2.7\text{V}$ , $V_{\text{LO}}=2.7\text{V}$	10	dBm
Power Dissipation	$P_{\text{D}}$		150	mW
Operating Temp.	$T_{\text{opr}}$		-30~+85	$^{\circ}\text{C}$
Storage Tempe.	$T_{\text{stg}}$		-40~+150	$^{\circ}\text{C}$

## ■RECOMMENDED OPERATING RANGE

PARAMETER	SYMBOL	MIN	TYP	MAX	UNITS
Mixer Supply Voltage	$V_{\text{MIX}}$	2.5	2.7	4.5	V
Local Amplifier Supply Voltage	$V_{\text{LO}}$	2.5	2.7	4.5	V

## ■ELECTRICAL CHARACTERISTICS (DC)

( $T_a=25^{\circ}\text{C}$ ,  $V_{\text{MIX}}=2.7\text{V}$ ,  $V_{\text{LO}}=2.7\text{V}$ )

PARAMETERS	SYMBOL	CONDITIONS	MIN	TYP	MAX	UNITS
Mixer Current	$I_{\text{MIX}}$	$P_{\text{RF}}=\text{OFF}$ , $P_{\text{LO}}=\text{OFF}$	-	3.0	4.5	mA
Local Amplifier Current	$I_{\text{LO}}$	$P_{\text{RF}}=\text{OFF}$ , $P_{\text{LO}}=\text{OFF}$	-	1.5	2.3	mA

**■ ELECTRICAL CHARACTERISTICS (RF 1.5GHz band)**

( $T_a=25^{\circ}\text{C}$ ,  $V_{\text{MIX}}=2.7\text{V}$ ,  $V_{\text{LO}}=2.7\text{V}$ ,  $f_{\text{IF}}=130\text{MHz}$ ,  $P_{\text{LO}}=-10\text{dBm}$ , Application 1.5GHz,  $f_{\text{LO}}=1619\text{MHz}$ )

PARAMETERS	SYMBOL	CONDITIONS	MIN	TYP	MAX	UNITS
Conversion Gain	$G_{\text{C1}}$	$f_{\text{RF}}=1489\text{MHz}$ , $P_{\text{RF}}=-30\text{dBm}$	5.0	8.0	-	dB
3rd Order Intercept Point	IIP3-1	$f_{\text{RF}}=1489.0\text{MHz}+1489.1\text{MHz}$	-	-5.0	-	dBm
Noise Figure	NF1	$f_{\text{RF}}=1489.0\text{MHz}$	-	6.0	8.0	dB

**■ ELECTRICAL CHARACTERISTICS (RF 1.9GHz band)**

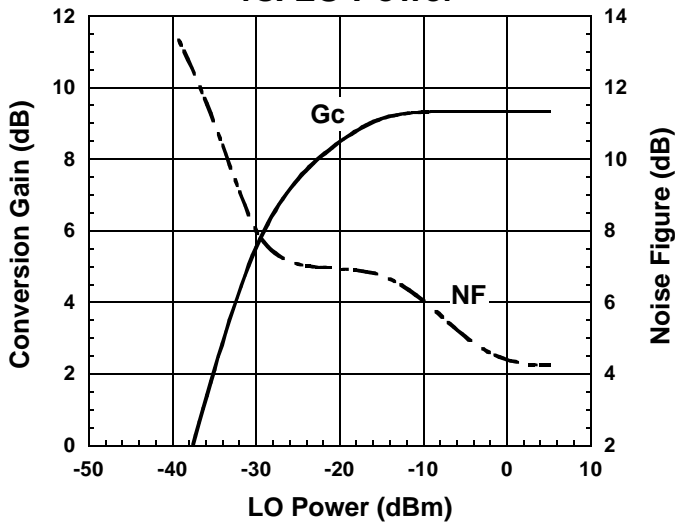
( $T_a=25^{\circ}\text{C}$ ,  $V_{\text{MIX}}=2.7\text{V}$ ,  $V_{\text{LO}}=2.7\text{V}$ ,  $f_{\text{IF}}=240\text{MHz}$ ,  $P_{\text{LO}}=-10\text{dBm}$ , Application 1.9GHz,  $f_{\text{LO}}=1660\text{MHz}$ )

PARAMETERS	SYMBOL	CONDITIONS	MIN	TYP	MAX	UNITS
Conversion Gain	$G_{\text{C2}}$	$f_{\text{RF}}=1900\text{MHz}$ , $P_{\text{RF}}=-30\text{dBm}$	3.0	5.0	-	dB
3rd Order Intercept Point	IIP3-2	$f_{\text{RF}}=1900.0\text{MHz}+1900.1\text{MHz}$	-	1.0	-	dBm
Noise Figure	NF2	$f_{\text{RF}}=1900.0\text{MHz}$	-	9.0	11.0	dB

# NJG1552F

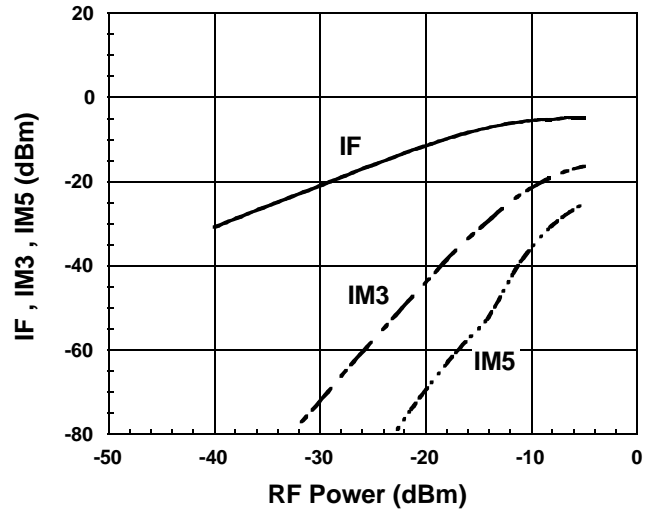
## ■ TYPICAL CHARACTERISTICS (Application 1, $f=1.5\text{GHz}$ , $f_{LO}=1619\text{MHz}$ )

### Conversion Gain , Noise Figure vs. LO Power



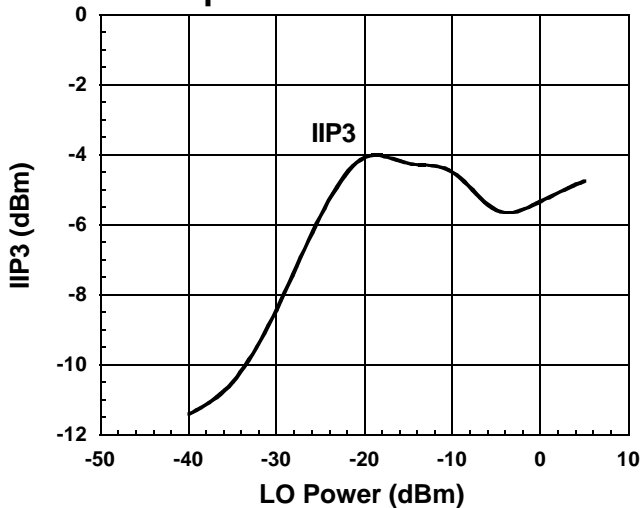
Condition  
 $f_{IF}=130\text{MHz}$   
 $f_{RF1}=1489.0\text{MHz}$ ,  $P_{RF}=-30\text{dBm}$   
 $f_{LO}=1619\text{MHz}$   
 $V_{MIX}=V_{LO}=2.7\text{V}$

### IF , IM3 , IM5 vs. RF Power



Condition  
 $f_{IF}=130\text{MHz}$   
 $f_{RF1}=1489.0\text{MHz}$   
 $f_{RF2}=1489.1\text{MHz}$   
 $f_{LO}=1619\text{MHz}$ ,  $P_{LO}=-10\text{dBm}$   
 $V_{MIX}=V_{LO}=2.7\text{V}$

### Input-IP3 vs. LO Power

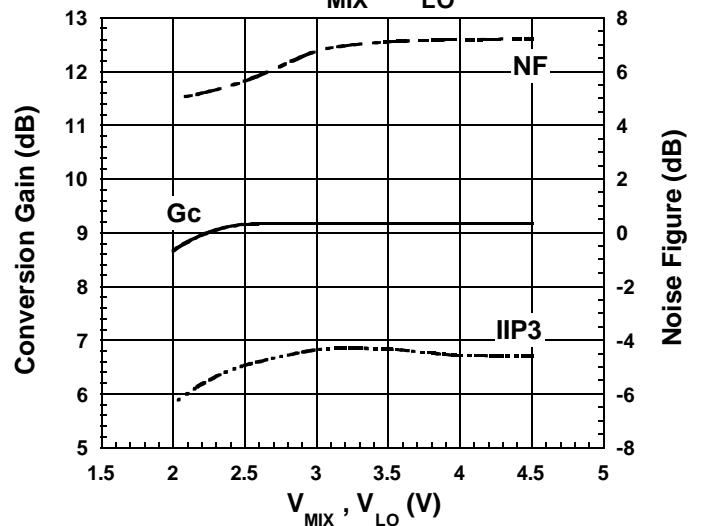


Condition  
 $f_{IF}=130\text{MHz}$   
 $f_{RF1}=1489.0\text{MHz}$ ,  $P_{RF}=-30\text{dBm}$   
 $f_{RF2}=1489.1\text{MHz}$   
 $f_{LO}=1619\text{MHz}$   
 $V_{MIX}=V_{LO}=2.7\text{V}$

$$IIP3 = \frac{3IF - IM3}{2} - G_c$$

@  $P_{RF} = -30\text{dBm}$

### Conversion Gain , Noise Figure , Input-IP3 vs. $V_{MIX}$ , $V_{LO}$

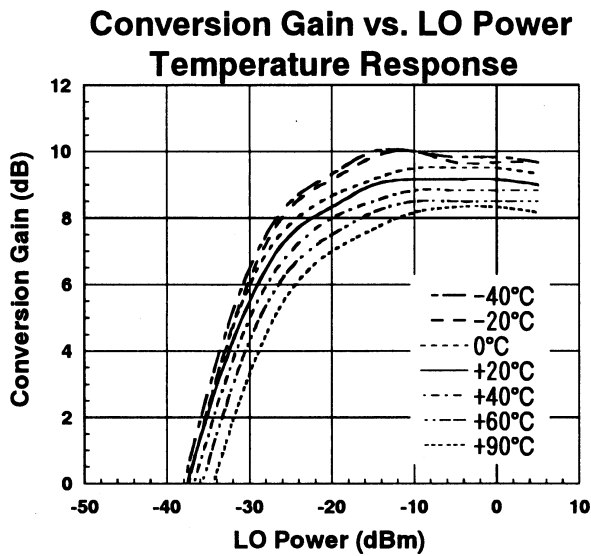


Condition  
 $f_{IF}=130\text{MHz}$   
 $f_{RF1}=1489.0\text{MHz}$ ,  $P_{RF}=-30\text{dBm}$   
 $f_{RF2}=1489.1\text{MHz}$   
 $f_{LO}=1619\text{MHz}$ ,  $P_{LO}=-10\text{dBm}$

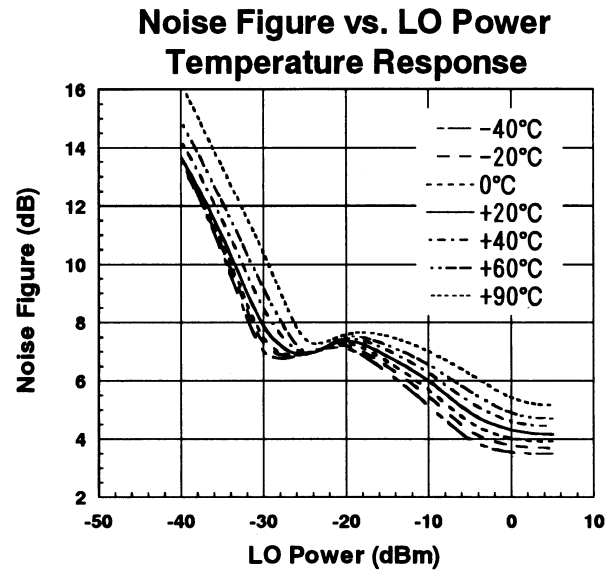
$$IIP3 = \frac{3IF - IM3}{2} - G_c$$

@  $P_{RF} = -30\text{dBm}$

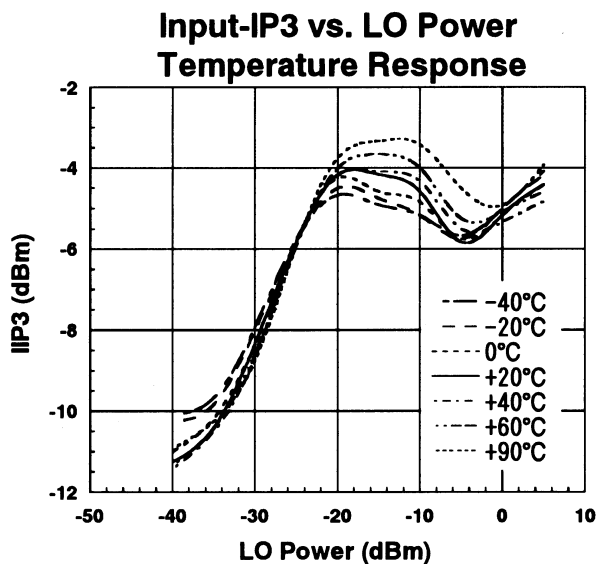
## ■ TYPICAL CHARACTERISTICS (Continued)



Condition  
 $f_{IF}=130\text{MHz}$   
 $f_{RF}=1489\text{MHz}$ ,  $P_{RF}=-30\text{dBm}$   
 $f_{LO}=1619\text{MHz}$   
 $V_{MIX}=V_{LO}=2.7\text{V}$

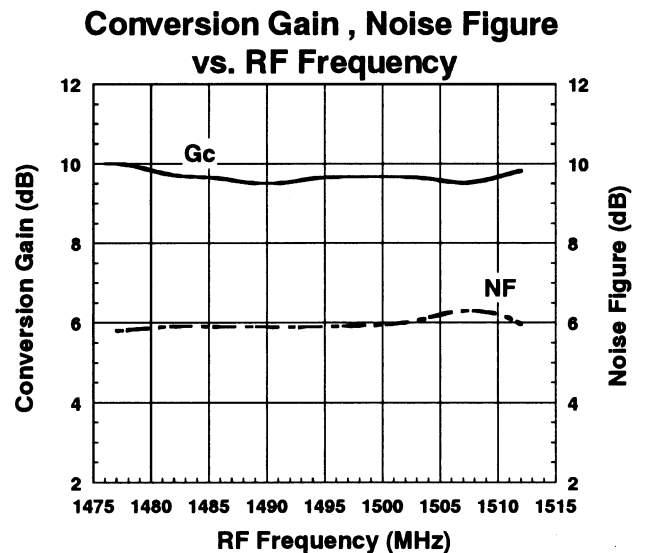


Condition  
 $f_{IF}=130\text{MHz}$   
 $f_{RF}=1489\text{MHz}$   
 $f_{LO}=1619\text{MHz}$   
 $V_{MIX}=V_{LO}=2.7\text{V}$



Condition  
 $f_{IF}=130\text{MHz}$   
 $f_{RF1}=1489.0\text{MHz}$ ,  $P_{RF}=-30\text{dBm}$   
 $f_{RF2}=1489.1\text{MHz}$   
 $f_{LO}=1619\text{MHz}$   
 $V_{MIX}=V_{LO}=2.7\text{V}$   

$$IIP3 = \frac{3IF-IM3}{2} - G_c$$
 @  $P_{RF}=-30\text{dBm}$

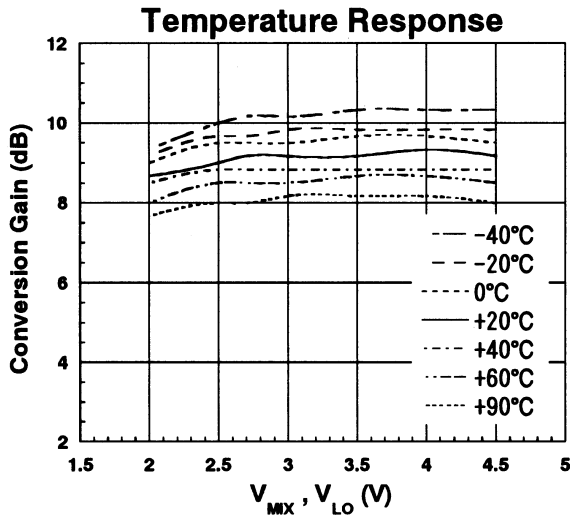


Condition  
 $f_{IF}=130\text{MHz}$   
 $P_{RF}=-30\text{dBm}$   
 $P_{LO}=-10\text{dBm}$   
 $V_{MIX}=V_{LO}=2.7\text{V}$   
 Upper LOCAL

# NJG1552F

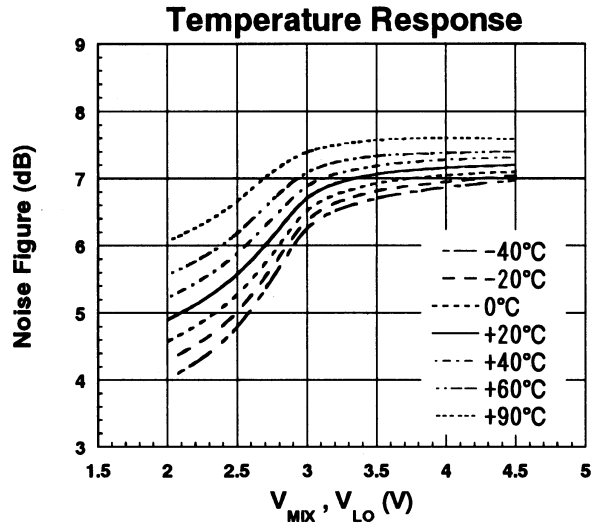
## ■ TYPICAL CHARACTERISTICS (Continued)

Conversion Gain vs.  $V_{MIX}$ ,  $V_{LO}$



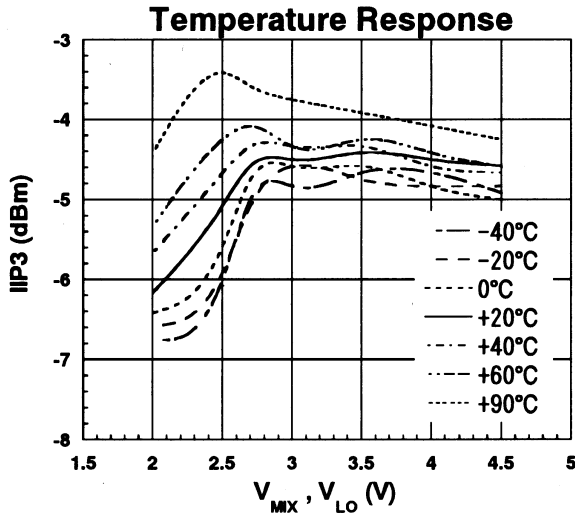
Condition  
 $f_{IF}=130\text{MHz}$   
 $f_{RF}=1489\text{MHz}$ ,  $P_{RF}=-30\text{dBm}$   
 $f_{LO}=1619\text{MHz}$ ,  $P_{LO}=-10\text{dBm}$

Noise Figure vs.  $V_{MIX}$ ,  $V_{LO}$



Condition  
 $f_{IF}=130\text{MHz}$   
 $f_{RF}=1489\text{MHz}$   
 $f_{LO}=1619\text{MHz}$ ,  $P_{LO}=-10\text{dBm}$

Input-IP3 vs.  $V_{MIX}$ ,  $V_{LO}$

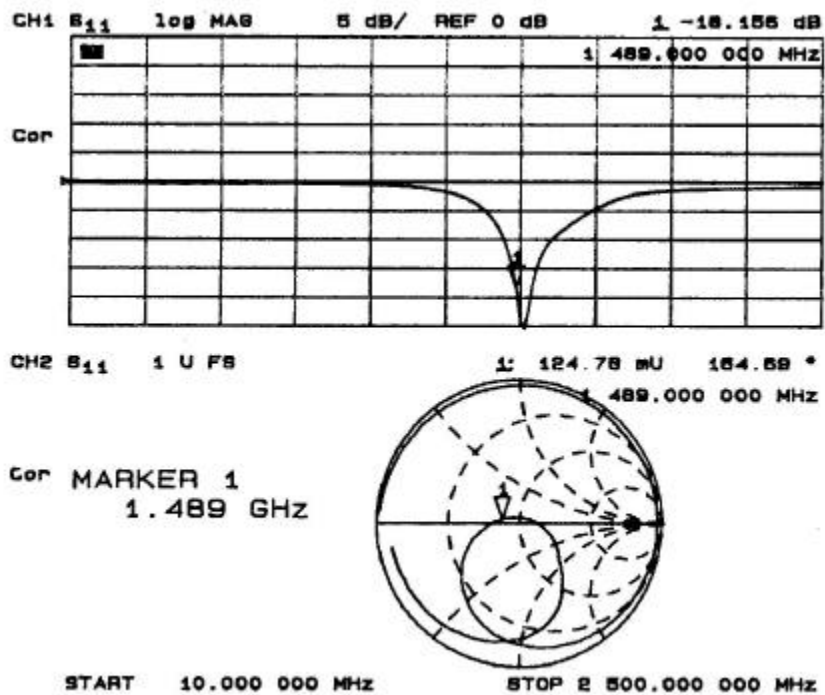


Condition  
 $f_{IF}=130\text{MHz}$   
 $f_{RF1}=1489.0\text{MHz}$ ,  $P_{RF}=-30\text{dBm}$   
 $f_{RF2}=1489.1\text{MHz}$   
 $f_{LO}=1619\text{MHz}$ ,  $f_{LO}=-10\text{dBm}$

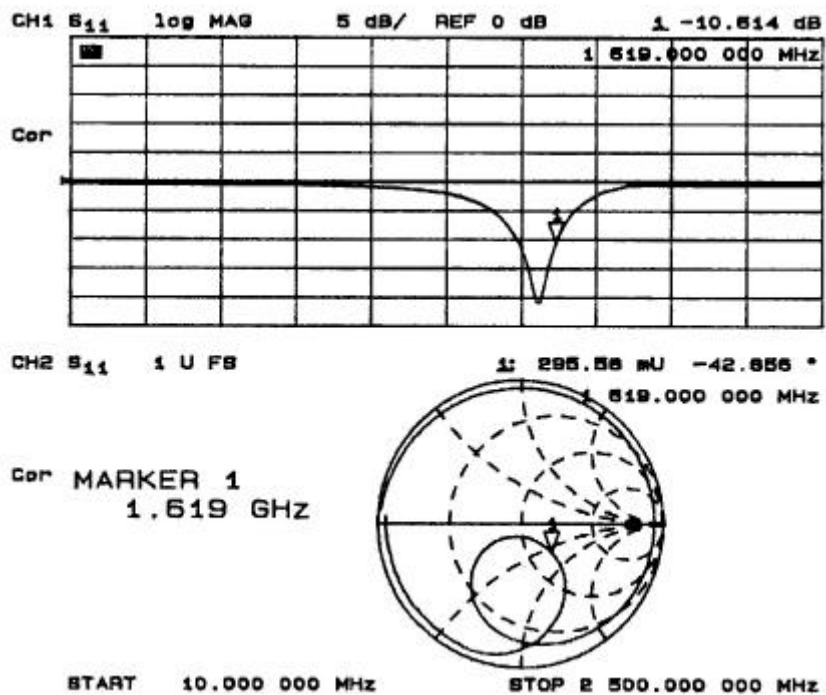
$$IP3 = \frac{3IF-IM3}{2} - G_c$$

@  $P_{RF}=-30\text{dBm}$

## ■ TYPICAL CHARACTERISTICS (Continued)



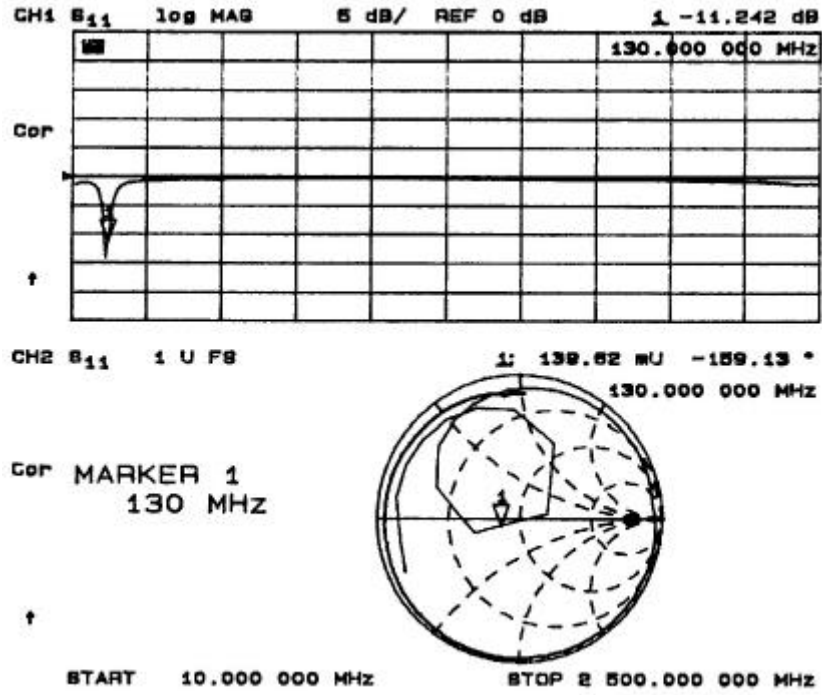
RFIN PORT EXTERNAL MATCHING NETWORK IMPEDANCE PLOT



LOIN PORT EXTERNAL MATCHING NETWORK IMPEDANCE PLOT

# NJG1552F

## ■ TYPICAL CHARACTERISTICS (Continued)

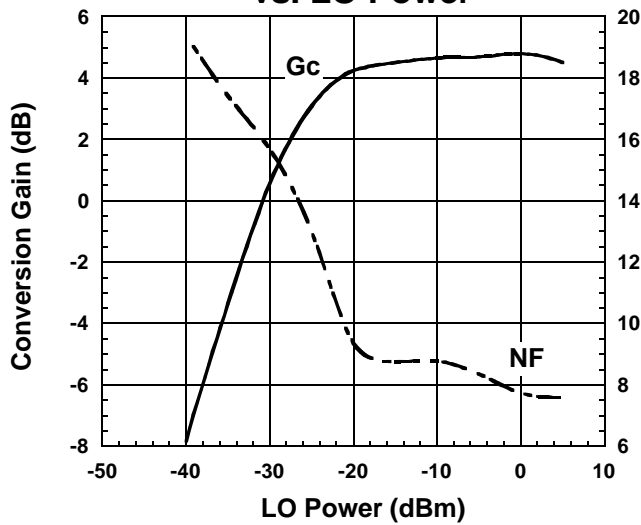


IFOUT PORT EXTERNAL MATCHING NETWORK IMPEDANCE PLOT



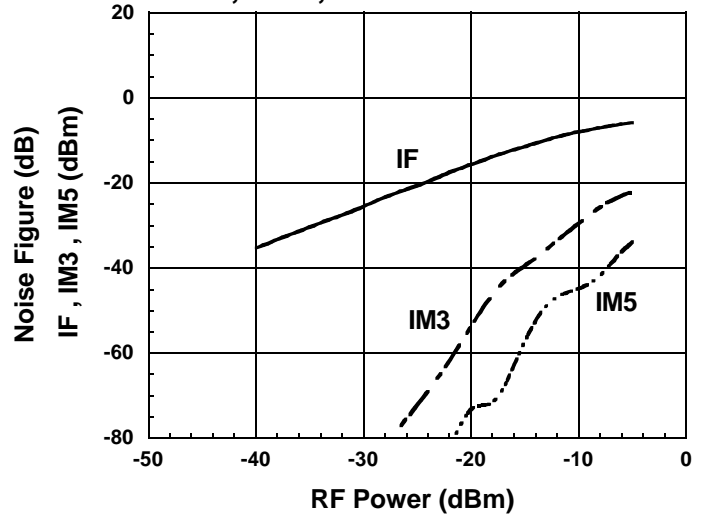
■ TYPICAL CHARACTERISTICS (Application 1,  $f=1.9\text{GHz}$ ,  $f_{LO}=1660\text{MHz}$ )

**Conversion Gain , Noise Figure vs. LO Power**



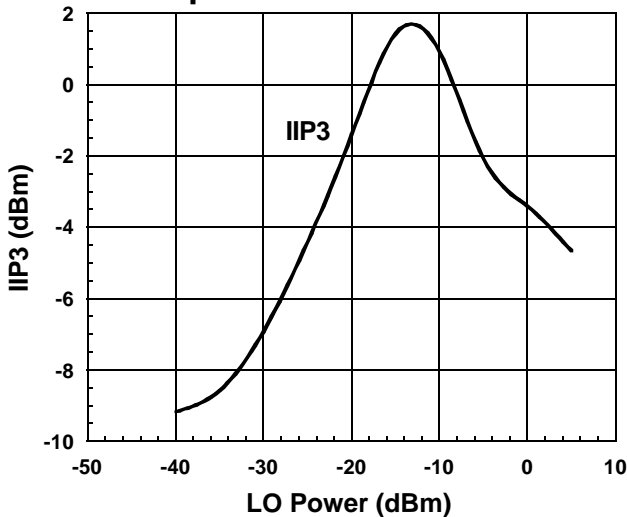
Condition  
 $f_{IF}=240\text{MHz}$   
 $f_{RF1}=1900.0\text{MHz}$ ,  $P_{RF}=-30\text{dBm}$   
 $f_{LO}=1660\text{MHz}$   
 $V_{MIX}=V_{LO}=2.7\text{V}$

**IF , IM3 , IM5 vs. RF Power**



Condition  
 $f_{IF}=240\text{MHz}$   
 $f_{RF1}=1900.0\text{MHz}$   
 $f_{RF2}=1900.1\text{MHz}$   
 $f_{LO}=1660\text{MHz}$ ,  $P_{LO}=-10\text{dBm}$   
 $V_{MIX}=V_{LO}=2.7\text{V}$

**Input-IP3 vs. LO Power**

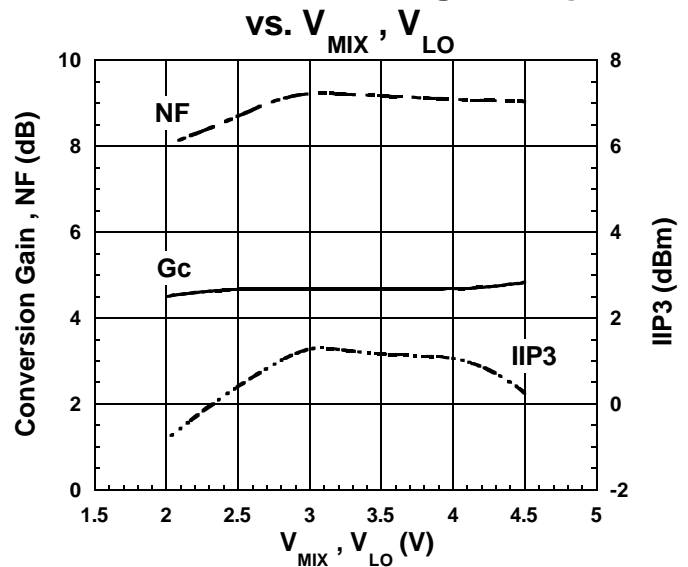


Condition  
 $f_{IF}=240\text{MHz}$   
 $f_{RF1}=1900.0\text{MHz}$ ,  $P_{RF}=-25\text{dBm}$   
 $f_{RF2}=1900.1\text{MHz}$   
 $f_{LO}=1660\text{MHz}$   
 $V_{MIX}=V_{LO}=2.7\text{V}$

$$IIP3 = \frac{3IF - IM3}{2} - G_c$$

@  $P_{RF} = -25\text{dBm}$

**Conversion Gain , Noise Figure , Input-IP3 vs.  $V_{MIX}$  ,  $V_{LO}$**



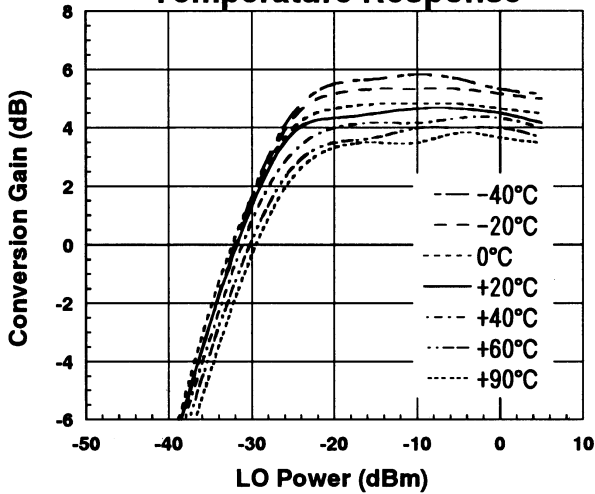
Condition  
 $f_{IF}=240\text{MHz}$   
 $f_{RF1}=1900.0\text{MHz}$ ,  $P_{RF}=-30\text{dBm}$   
 $f_{RF2}=1900.1\text{MHz}$   
 $f_{LO}=1660\text{MHz}$ ,  $P_{LO}=-10\text{dBm}$

$$IIP3 = \frac{3IF - IM3}{2} - G_c$$

@  $P_{RF} = -25\text{dBm}$

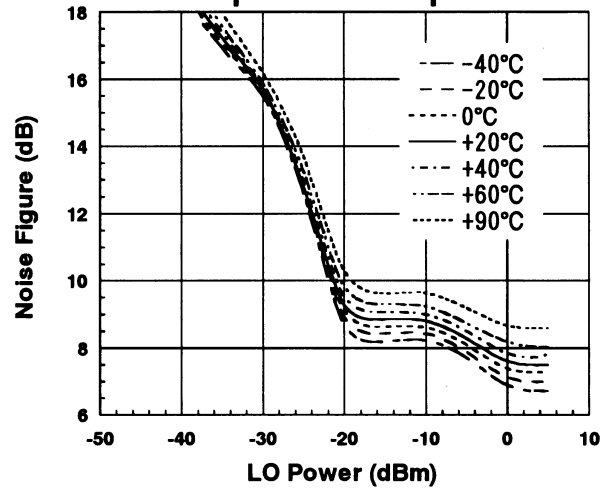
## ■ TYPICAL CHARACTERISTICS (Continued)

### Conversion Gain vs. LO Power Temperature Response



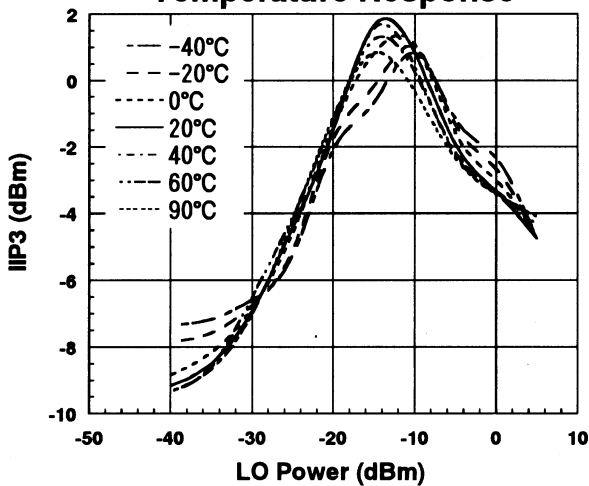
Condition  
 $f_{IF}=240\text{MHz}$   
 $f_{RF}=1900\text{MHz}$ ,  $P_{RF}=-30\text{dBm}$   
 $f_{LO}=1660\text{MHz}$   
 $V_{MIX}=V_{LO}=2.7\text{V}$

### Noise Figure vs. LO Power Temperature Response



Condition  
 $f_{IF}=240\text{MHz}$   
 $f_{RF}=1900\text{MHz}$   
 $f_{LO}=1660\text{MHz}$   
 $V_{MIX}=V_{LO}=2.7\text{V}$

### Input-IP3 vs. LO Power Temperature Response

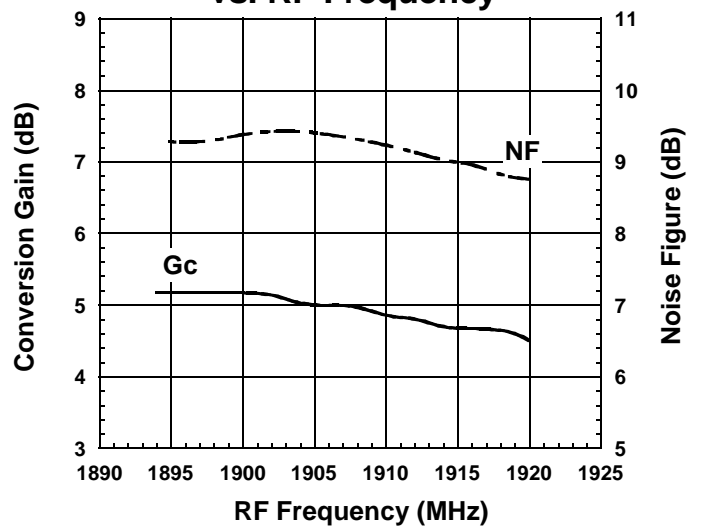


Condition  
 $f_{IF}=240\text{MHz}$   
 $f_{RF1}=1900.0\text{MHz}$ ,  $P_{RF}=-25\text{dBm}$   
 $f_{RF2}=1900.1\text{MHz}$   
 $f_{LO}=1660\text{MHz}$   
 $V_{MIX}=V_{LO}=2.7\text{V}$

$$IIP3 = \frac{3IF - IM3}{2} - G_c$$

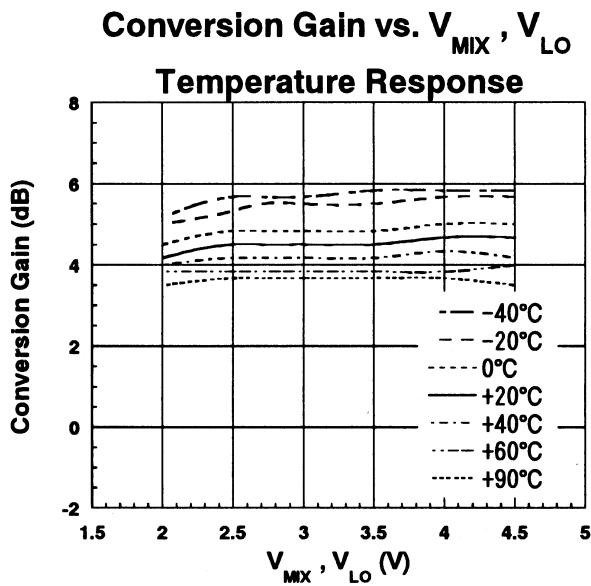
@  $P_{RF} = -25\text{dBm}$

### Conversion Gain , Noise Figure vs. RF Frequency

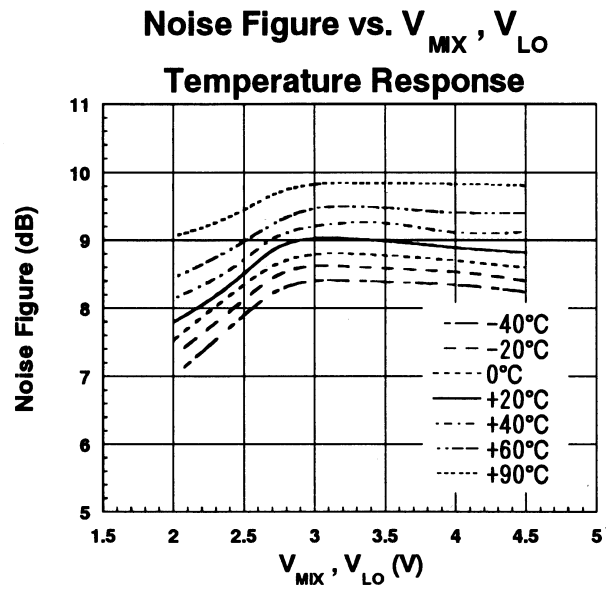


Condition  
 $f_{IF}=240\text{MHz}$   
 $P_{RF}=-30\text{dBm}$   
 $P_{LO}=-10\text{dBm}$   
 $V_{MIX}=V_{LO}=2.7\text{V}$   
 Lower LOCAL

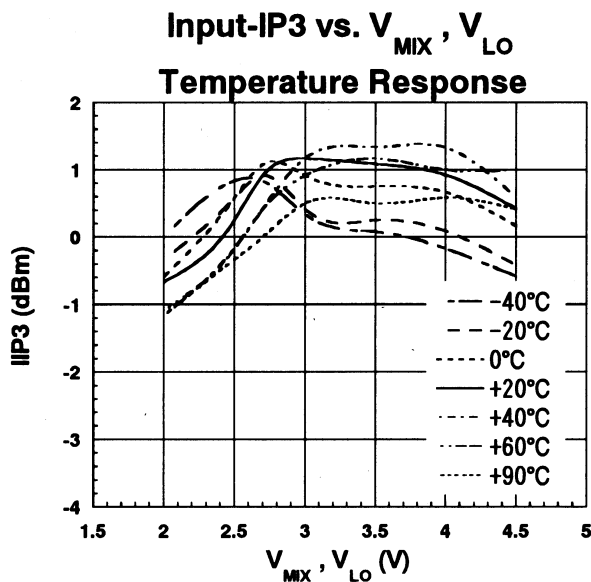
## ■ TYPICAL CHARACTERISTICS (Continued)



Condition  
 $f_{IF}=240\text{MHz}$   
 $f_{RF}=1900\text{MHz}$ ,  $P_{RF}=-30\text{dBm}$   
 $f_{LO}=1660\text{MHz}$ ,  $P_{LO}=-10\text{dBm}$



Condition  
 $f_{IF}=240\text{MHz}$   
 $f_{RF}=1900\text{MHz}$   
 $f_{LO}=1660\text{MHz}$ ,  $P_{LO}=-10\text{dBm}$

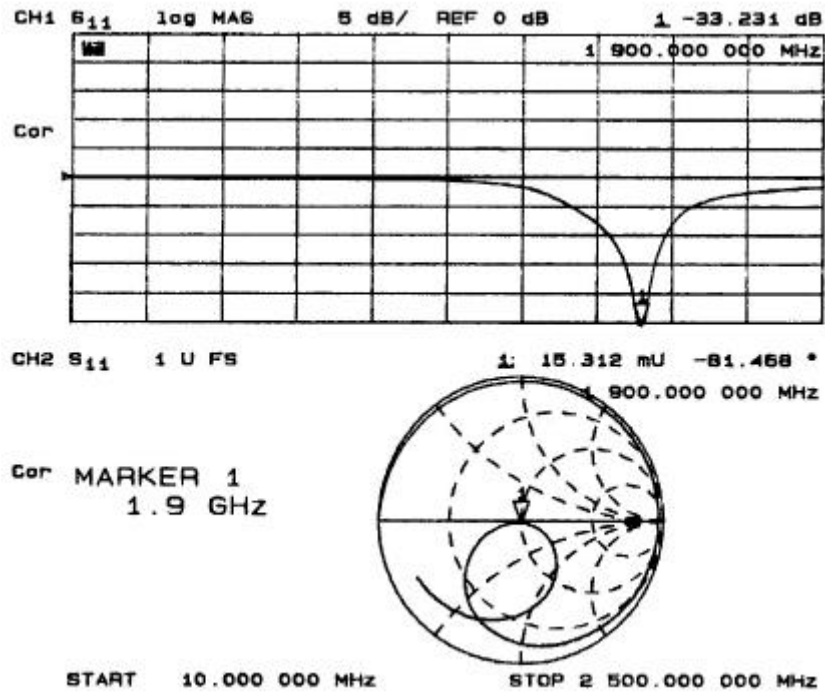


Condition  
 $f_{IF}=240\text{MHz}$   
 $f_{RF1}=1900.0\text{MHz}$ ,  $P_{RF}=-25\text{dBm}$   
 $f_{RF2}=1900.1\text{MHz}$   
 $f_{LO}=1660\text{MHz}$ ,  $f_{LO}=-10\text{dBm}$   

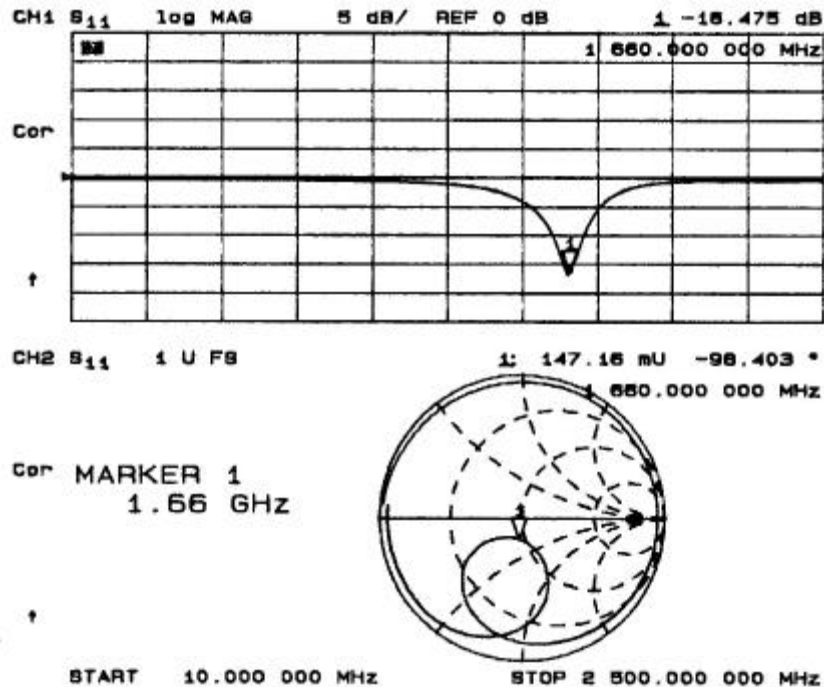
$$IP3 = \frac{3IF-IM3}{2} - G_c$$
 @ $P_{RF}=-25\text{dBm}$

# NJG1552F

## ■ TYPICAL CHARACTERISTICS (Continued)

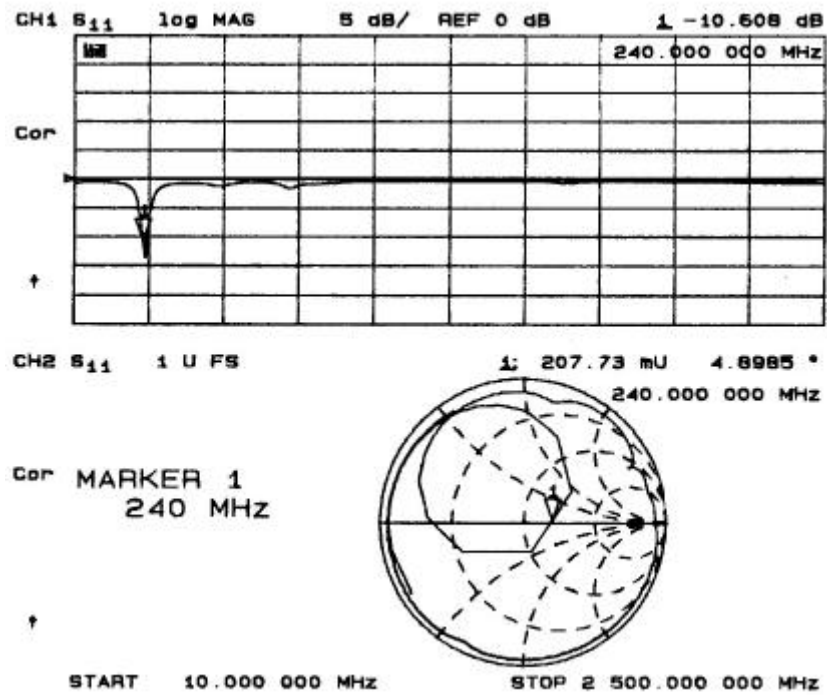


### RFIN PORT EXTERNAL MATCHING NETWORK IMPEDANCE PLOT



### LOIN PORT EXTERNAL MATCHING NETWORK IMPEDANCE PLOT

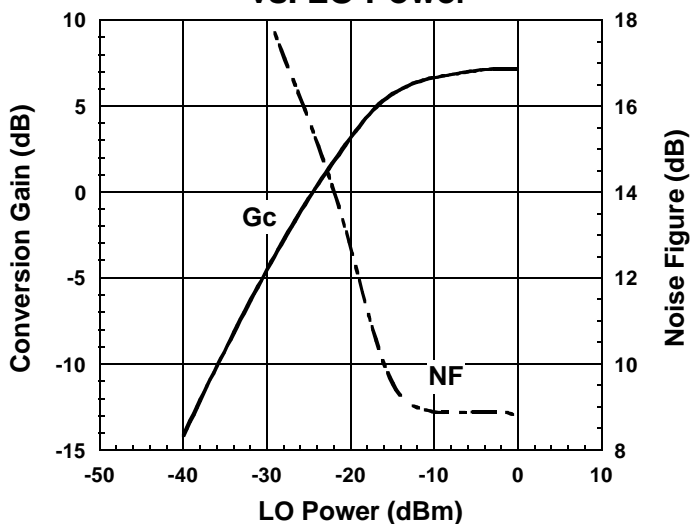
## ■ TYPICAL CHARACTERISTICS (Continued)



IFOUT PORT EXTERNAL MATCHING NETWORK IMPEDANCE PLOT

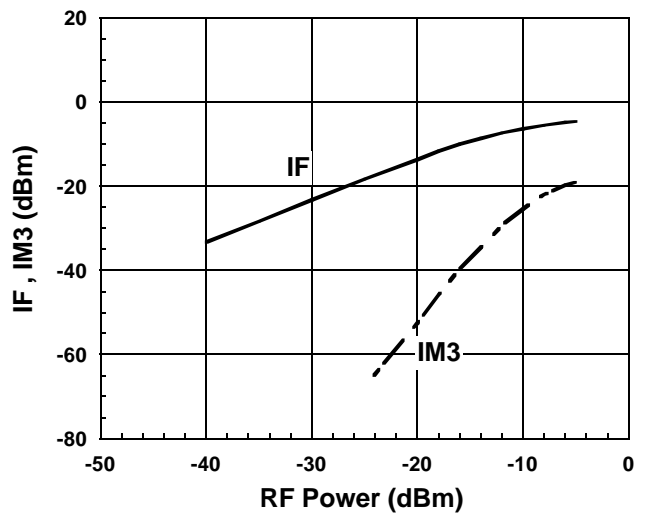
## ■ TYPICAL CHARACTERISTICS (Application 2, $f=1.9\text{GHz}$ , $f_{LO}=1634.62\text{MHz}$ )

Conversion Gain , Noise Figure  
vs. LO Power



Condition  
 $f_{IF}=220.38\text{MHz}$   
 $f_{RF}=1855\text{MHz}$ ,  $P_{RF}=-30\text{dBm}$   
 $f_{LO}=1634.62\text{MHz}$   
 $V_{MIX}=V_{LO}=2.7\text{V}$

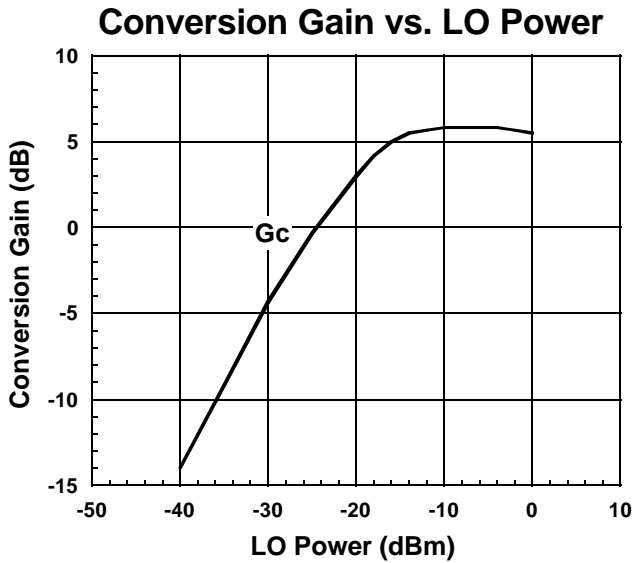
IF , IM3 vs. RF Power



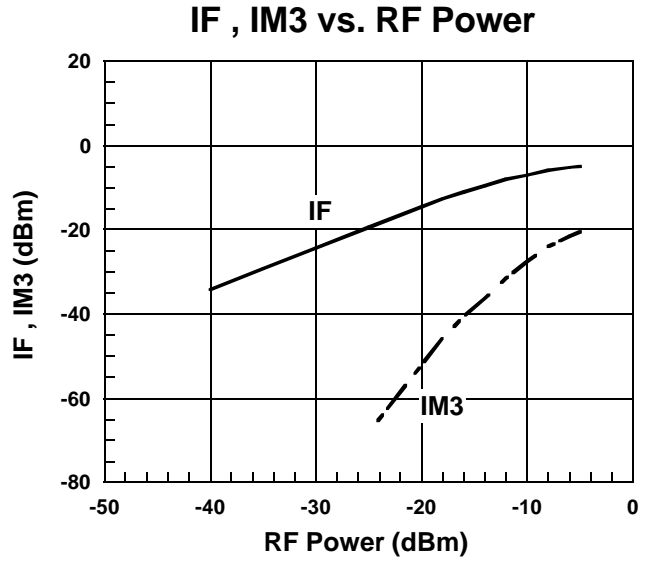
Condition  
 $f_{IF}=220.38\text{MHz}$   
 $f_{RF1}=1855.0\text{MHz}$   
 $f_{RF2}=1855.1\text{MHz}$   
 $f_{LO}=1634.62\text{MHz}$ ,  $P_{LO}=-10\text{dBm}$   
 $V_{MIX}=V_{LO}=2.7\text{V}$

# NJG1552F

## ■ TYPICAL CHARACTERISTICS (Application 2, $f=1.9\text{GHz}$ , $f_{LO}=1749.62\text{MHz}$ )

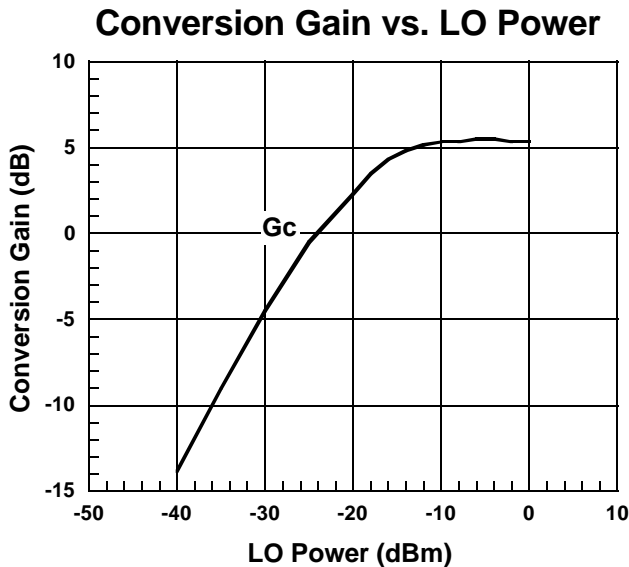


Condition  
 $f_{IF}=210.38\text{MHz}$   
 $f_{RF}=1960\text{MHz}$ ,  $P_{RF}=-30\text{dBm}$   
 $f_{LO}=1749.62\text{MHz}$   
 $V_{MIX}=V_{LO}=2.7\text{V}$

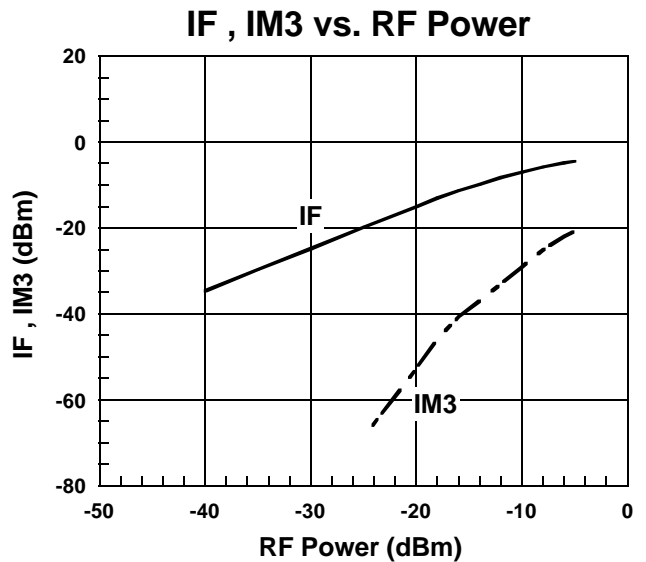


Condition  
 $f_{IF}=210.38\text{MHz}$   
 $f_{RF1}=1960.0\text{MHz}$   
 $f_{RF2}=1960.1\text{MHz}$   
 $f_{LO}=1749.62\text{MHz}$ ,  $P_{LO}=-10\text{dBm}$   
 $V_{MIX}=V_{LO}=2.7\text{V}$

## ■ TYPICAL CHARACTERISTICS (Application 2, $f=2.1\text{GHz}$ , $f_{LO}=1914.62\text{MHz}$ )

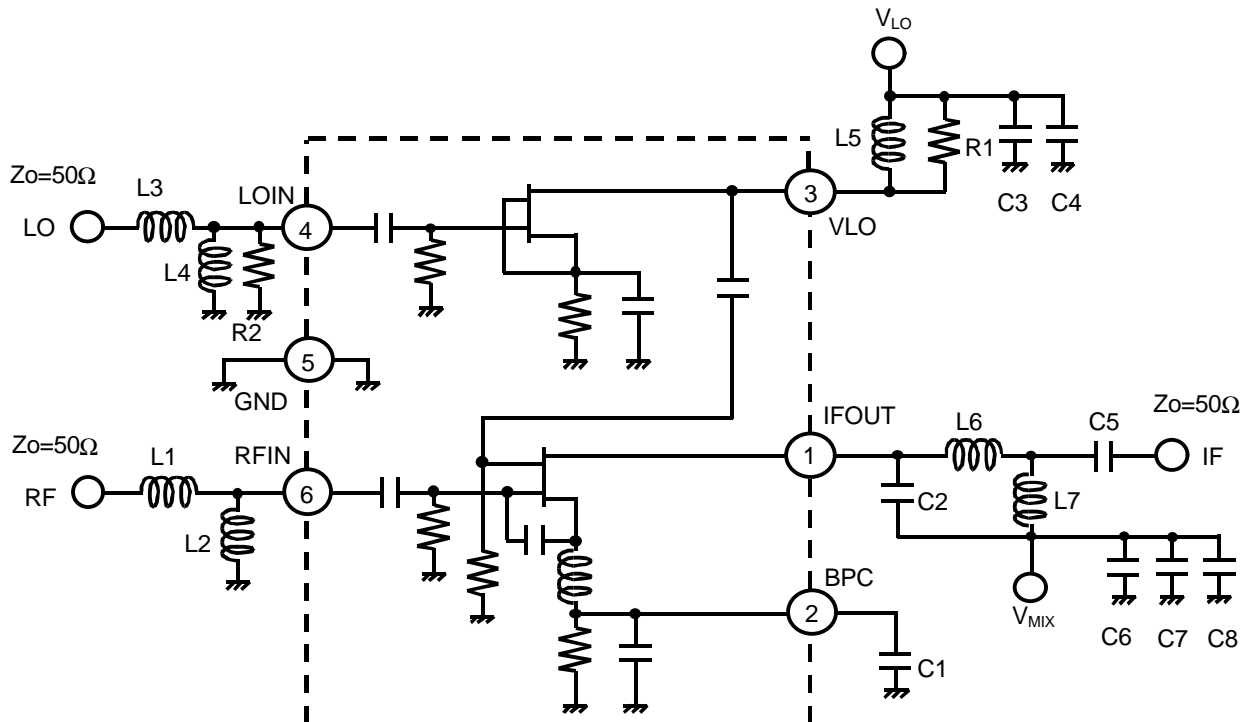


Condition  
 $f_{IF}=220.38\text{MHz}$   
 $f_{RF}=2135\text{MHz}$ ,  $P_{RF}=-30\text{dBm}$   
 $f_{LO}=1914.62\text{MHz}$   
 $V_{MIX}=V_{LO}=2.7\text{V}$



Condition  
 $f_{IF}=220.38\text{MHz}$   
 $f_{RF1}=2135.0\text{MHz}$   
 $f_{RF2}=2135.1\text{MHz}$   
 $f_{LO}=1914.62\text{MHz}$ ,  $P_{LO}=-10\text{dBm}$   
 $V_{MIX}=V_{LO}=2.7\text{V}$

## APPLICATION CIRCUIT 1

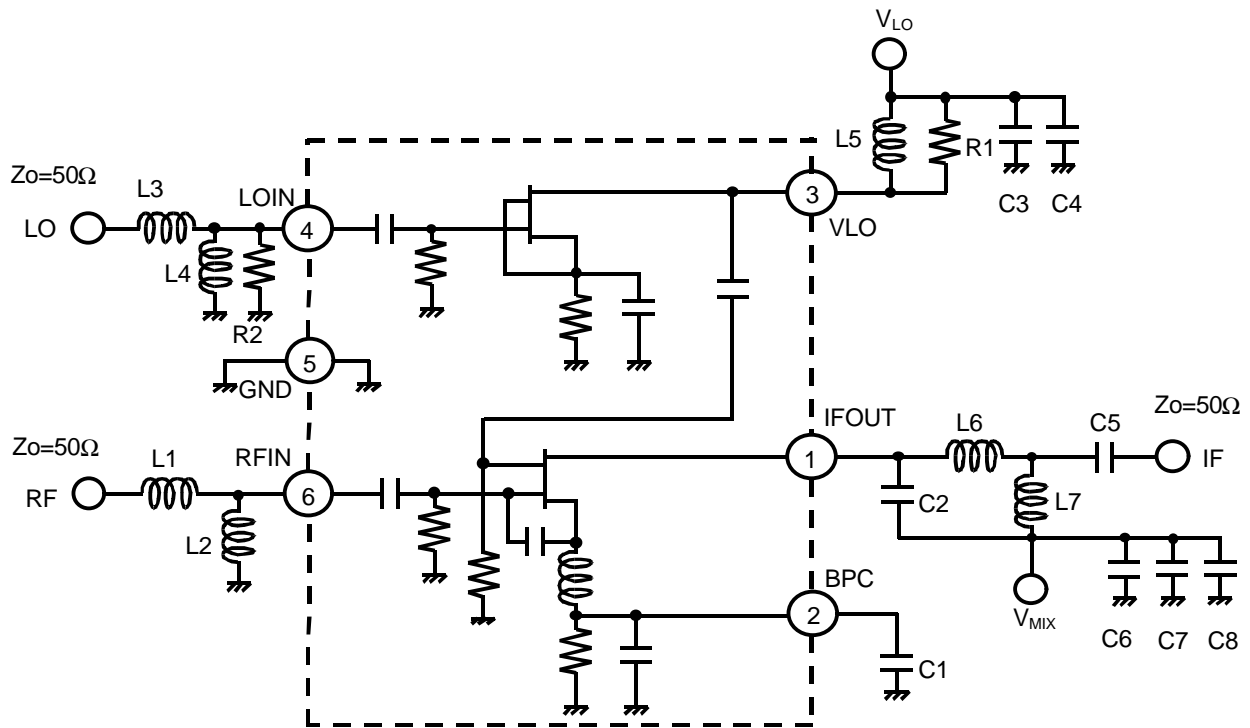


### PARTS LIST

PART ID	1.5GHz Band	1.9GHz Band	COMMENT
	Upper LOCAL	Lower LOCAL	
	$f_{LO}=1619\text{MHz}$ $f_{IF}=130\text{MHz}$	$f_{LO}=1660\text{MHz}$ $f_{IF}=240\text{MHz}$	
L1	10nH	6.8nH	TAIYO-YUDEN(HK1608)
L2	8.2nH	4.7nH	TAIYO-YUDEN(HK1608)
L3	15nH	15nH	TAIYO-YUDEN(HK1608)
L4	12nH	10nH	TAIYO-YUDEN(HK1608)
L5	5.6nH	4.7nH	TAIYO-YUDEN(HK1608)
L6	100nH	33nH	TAIYO-YUDEN(HK1608)
L7	47nH	15nH	TAIYO-YUDEN(HK1608)
C1	1000pF	560pF	MURATA(GRM39)
C2	11pF	8pF	MURATA(GRM39)
C3	10pF	10pF	MURATA(GRM39)
C4	100pF	100pF	MURATA(GRM39)
C5	1000pF	1000pF	MURATA(GRM39)
C6	10pF	10pF	MURATA(GRM39)
C7	100pF	100pF	MURATA(GRM39)
C8	1000pF	1000pF	MURATA(GRM39)
R1	390Ω	390Ω	TAMA Electronics(CRG16G)
R2	1KΩ	1KΩ	TAMA Electronics(CRG16G)

# NJG1552F

## APPLICATION CIRCUIT 2



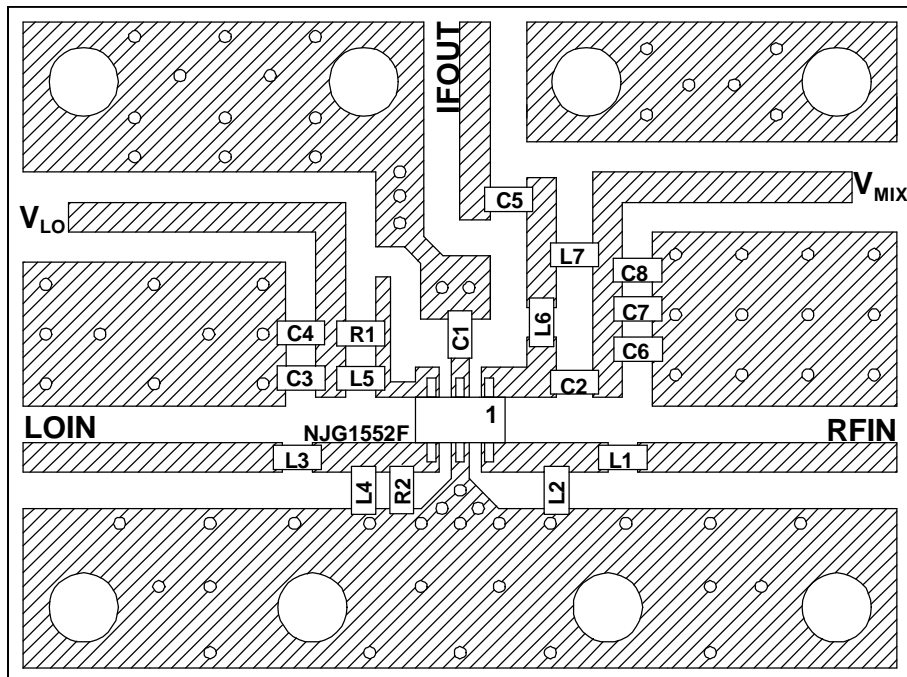
### PARTS LIST

PART ID	1.9GHz Band		2.1GHz Band	COMMENT
	Lower LOCAL $f_{LO}=1634.62\text{MHz}$ $f_{IF}=220.38\text{MHz}$	Lower LOCAL $f_{LO}=1749.62\text{MHz}$ $f_{IF}=210.38\text{MHz}$	Lower LOCAL $f_{LO}=1914.62\text{MHz}$ $f_{IF}=220.38\text{MHz}$	
L1	6.8nH	6.8nH	4.7nH	TAIYO-YUDEN(HK1608)
L2	3.9nH	4.7nH	3.9nH	TAIYO-YUDEN(HK1608)
L3	12nH	12nH	10nH	TAIYO-YUDEN(HK1608)
L4	10nH	8.2nH	8.2nH	TAIYO-YUDEN(HK1608)
L5	6.8nH	5.6nH	4.7nH	TAIYO-YUDEN(HK1608)
L6	47nH	39nH	47nH	TAIYO-YUDEN(HK1608)
L7	22nH	22nH	18nH	TAIYO-YUDEN(HK1608)
C1	560pF	560pF	560pF	MURATA(GRM39)
C2	7pF	8pF	8pF	MURATA(GRM39)
C3	10pF	10pF	10pF	MURATA(GRM39)
C4	100pF	100pF	100pF	MURATA(GRM39)
C5	1000pF	1000pF	1000pF	MURATA(GRM39)
C6	10pF	10pF	10pF	MURATA(GRM39)
C7	100pF	100pF	100pF	MURATA(GRM39)
C8	1000pF	1000pF	1000pF	MURATA(GRM39)
R1	240Ω	270Ω	330Ω	TAMA Electronics(CRG16G)
R2	430Ω	470Ω	470Ω	TAMA Electronics(CRG16G)



## RECOMMENDED PCB DESIGN

(TOP VIEW)



(SIZE: 22.5mmx30mm)

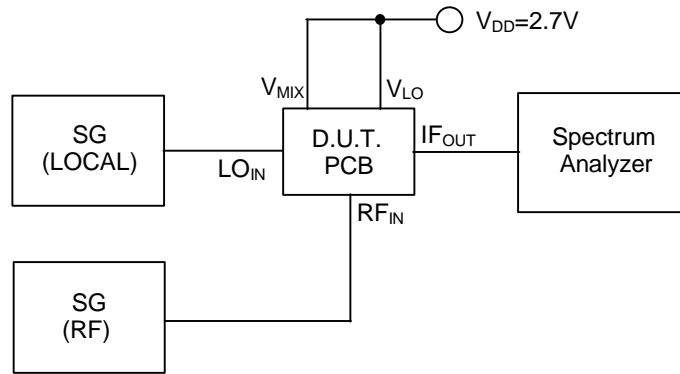
PCB: FR-4, t=0.5mm

STRIPLINE WIDTH=1mm ( $Z_0=50\Omega$ )

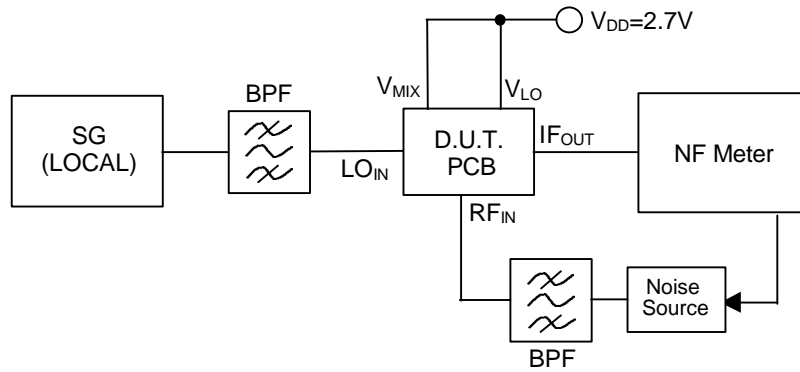
## PRECAUTIONS

- [1] Please locate L5 and R1 close to VLO terminal (3).
- [2] Distance from L1 and RFIN terminal (6) is 3.5mm.
- [3] Distance from L3 and LOIN terminal (4) is 3.5mm.
- [4] Please locate C1 close to BPC terminal (2).
- [5] Please locate C6, C7 and C8 close to C2, L7.
- [6] Please locate C3, C4 close to R1, L5.

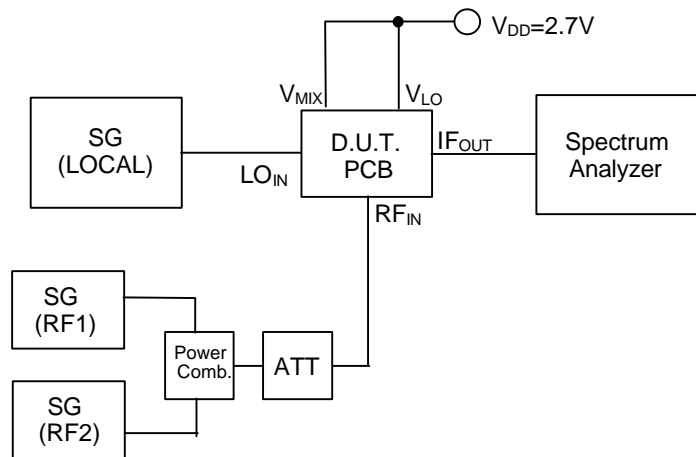
## MEASURING BLOCK DIAGRAM



Conversion Gain Measurement Block Diagram

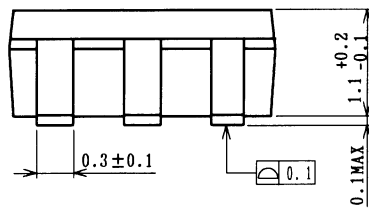
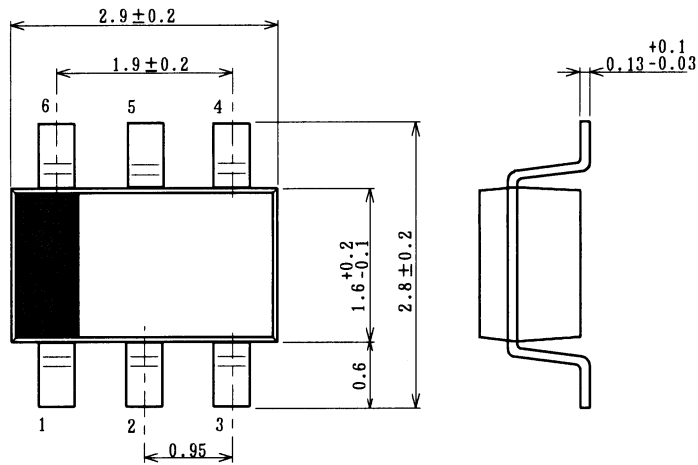


Noise Figure Measurement Block Diagram



IF, IM3, IM5 Measurement Block Diagram

## PACKAGE OUTLINE (MTP6)



Lead material	: Copper
Lead surface finish	: Solder plating
Molding material	: Epoxy resin
UNIT	: mm
Weight	: 14mg

### Cautions on using this product

This product contains Gallium-Arsenide (GaAs) which is a harmful material.

- Do NOT eat or put into mouth.
- Do NOT dispose in fire or break up this product.
- Do NOT chemically make gas or powder with this product.
- To waste this product, please obey the relating law of your country.

### [CAUTION]

The specifications on this databook are only given for information, without any guarantee as regards either mistakes or omissions. The application circuits in this databook are described only to show representative usages of the product and not intended for the guarantee or permission of any right including the industrial rights.

This product may be damaged with electric static discharge (ESD) or spike voltage. Please handle with care to avoid these damages.