

ULTRA WIDE BAND, HIGH SLEW RATE QUAD OPERATIONAL AMPLIFIER

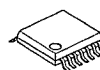
■ GENERAL DESCRIPTION

The NJM2138 is an ultra wide band, high slew rate quad operational amplifier operated from low voltage ( $\pm 1.35V$ ).

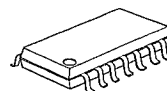
It can apply to active filter, high speed analog and digital signal processor, line driver, HDTV, industrial measurement equipment and others.

It can also apply to portable communication items because of low operating voltage and low operating current.

■ PACKAGE OUTLINE



NJM2138V

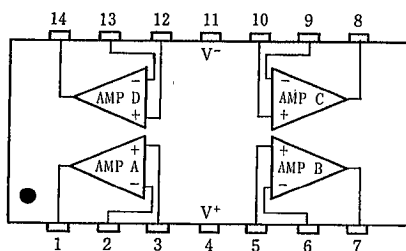


NJM2138M

■ FEATURES

- Operating Voltage ( $\pm 1.35V \sim \pm 6V$ )
- Ultra Wide Band (200MHz typ.)
- High Slew Rate ( $45V/\mu s$  typ.)
- Low Operating Current (2.27mA typ.)
- Bipolar Technology
- Package Outline SSOP14, DMP14

■ PIN CONFIGURATION

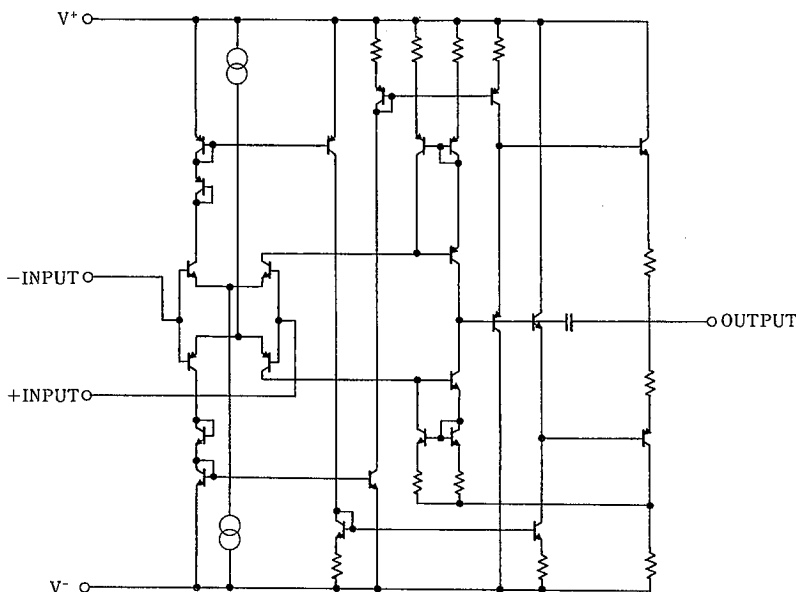


PIN FUNCTION

- |             |              |
|-------------|--------------|
| 1. A OUTPUT | 8. C OUTPUT  |
| 2. A -INPUT | 9. C -INPUT  |
| 3. A +INPUT | 10. C +INPUT |
| 4. V+       | 11. V-       |
| 5. B +INPUT | 12. D +INPUT |
| 6. B -INPUT | 13. D -INPUT |
| 7. B OUTPUT | 14. D OUTPUT |

NJM2138M  
NJM2138V

■ EQUIVALENT CIRCUIT (1/4 Shown)



■ ABSOLUTE MAXIMUM RATINGS

(Ta=25°C)

PARAMETER	SYMBOL	RATINGS	UNIT
Supply Voltage	V <sup>+</sup> /V <sup>-</sup>	±6.75	V
Differential Input Voltage	V <sub>ID</sub>	±3	V
Power Dissipation	P <sub>D</sub>	(SSOP-14) 300 (DMP-14) 300	mW
Operating Temperature Range	T <sub>opr</sub>	-40~+85	°C
Storage Temperature Range	T <sub>stg</sub>	-50~+125	°C

■ ELECTRICAL CHARACTERISTICS

(V<sup>+</sup>/V<sup>-</sup>=±2.5V, Ta=25°C)

PARAMETER	SYMBOL	TEST CONDITIONS	MIN.	TYP.	MAX.	UNIT
Operating Voltage	V <sup>+</sup> /V <sup>-</sup>		±1.35	±2.50	±6.00	V
Input Offset Voltage	V <sub>IO</sub>	R <sub>S</sub> =0Ω	-	1.0	5.0	mV
Input Bias Current	I <sub>B</sub>		-	0.5	2.0	μA
Input Offset Current	I <sub>IO</sub>		-	20	200	nA
Large Signal Voltage Gain	A <sub>V</sub>	R <sub>L</sub> ≥10kΩ	65	75	-	dB
Input Common Mode Voltage Range	V <sub>ICM</sub>		1.2	1.5	-	V
			-1.2	-1.5	-	
Common Mode Rejection Ratio	CMR	-1V≤V <sub>cm</sub> ≤+1V	45	60	-	dB
Supply Voltage Rejection Ratio	+SVR		50	60	-	dB
	-SVR		70	80	-	
Maximum Output Voltage Swing	V <sub>OM</sub>	R <sub>L</sub> =1kΩ	1.1	1.4	-	V
			-0.9	-1.2	-	
Operating Current	I <sub>CC</sub>	R <sub>L</sub> =∞(all Amp.)	-	2.27	3.0	mA
Slew Rate	SR	A <sub>V</sub> =0dB	-	45	-	V/μs
Gain Bandwidth Product	GB	60dB · 500kHz	100	200	-	MHz
Phase Margin	φ <sub>M</sub>	40dB	-	25	-	deg
Unity Gain Bandwidth	f <sub>T</sub>	40dB	-	40	-	MHz

4

## MEMO

[CAUTION]

The specifications on this databook are only given for information, without any guarantee as regards either mistakes or omissions. The application circuits in this databook are described only to show representative usages of the product and not intended for the guarantee or permission of any right including the industrial rights.