

3-INPUT VIDEO SUPER IMPOSER WITH 6dB AMPLIFIER

■ GENERAL DESCRIPTION

NJM2265 is 3-input, 1-output video switch with 6dB amplifier. Two inputs are provided with sink chip clamp function which adjust the DC level of video signal. The other input of transistor open base can make control of luminance signal. This video switch can be connected to TV monitor directly, as it has 6dB amplifier circuit internally.

NJM2265 is a high performance video switch which is operated with 5V supply voltage.

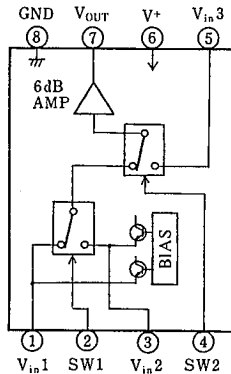
■ FEATURES

- Wide Operating Voltage (4.75~13V)
- 3 Input, 1 - Output
- Internal 6 dB Amplifier Circuit
- Internal Sink Chip Clamp Function (V_{IN1} , V_{IN2})
- Internal Luminance Signal Control Function (V_{IN3})
- Crosstalk 65dB(at 4.43MHz)
- Package Outline DIP8, DMP8, SIP8
- Bipolar Technology

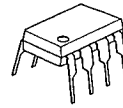
■ APPLICATIONS

- VCR, Video Camera, AV-TV, Video Disc Player.

■ BLOCK DIAGRAM



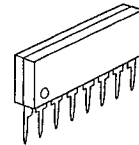
■ PACKAGE OUTLINE



NJM 2265D



NJM 2265M



NJM 2265L

5

■ ABSOLUTE MAXIMUM RATINGS

(Ta=25°C)

PARAMETER	SYMBOL	RATINGS	UNIT
Supply Voltage	V*	15	V
Power Dissipation	P _d	(DIP8) 500	mW
		(DMP8) 300	mW
		(SIP8) 800	mW
Operating Temperature Range	T _{opr}	-40 ~ +85	°C
Storage Temperature Range	T _{stg}	-40 ~ +125	°C

■ ELECTRICAL CHARACTERISTICS

(V*=5V, Ta=25±2°C)

PARAMETERS	SYMBOLS	TEST CONDITIONS	MIN.	TYP.	MAX.	UNIT
Recommended Supply Voltage	V*		4.75	—	13.0	V
Operating Current	I _{CC}	S=1=S2=S3=S4=S5=2	—	15	21.0	mA
Voltage Gain	G _V	V _{in} =1.0V _{p-p} , 1MHz, V _O /V _I	5.7	6.2	6.7	dB
Frequency Characteristics	G _f	V _{in} =1.0V _{p-p} , V _O (5MHz)/V _O (1MHz)	-1.0	0	+1.0	dB
Differential Gain	DG	V _{in} =1.0V _{p-p} , Staircase, R _L =1kΩ	—	0.2	—	%
Differential Phase	DP	V _{in} =1.0V _{p-p} , Staircase, R _L =1kΩ	—	0.1	—	deg
Output Offset Voltage	V _{OS}	S1=S2=S3=2, S4=2 → 1 V _{in} =1.0V _{p-p} , 4.43MHz	-60	0	+60	mV
Crosstalk	CT	V _O /V _I Vin3 Biased (note 2)	—	-65	—	dB
Switch Change Voltage	V _{CH}	Switch High Level Voltage	2.4	—	—	V
Switch High Level Voltage	V _{CL}	Switch Low Level Voltage	—	—	0.8	V

Note 1 Unless otherwise specified, tested with the following conditions.

a) S1=1, S2=S3=S4=S5=2 b) S2=S4=1, S1=S3=S5=2 c) S3=S5=1, S1=S2=1, S4=1 or 2

Note 2 Tested with the following conditions.

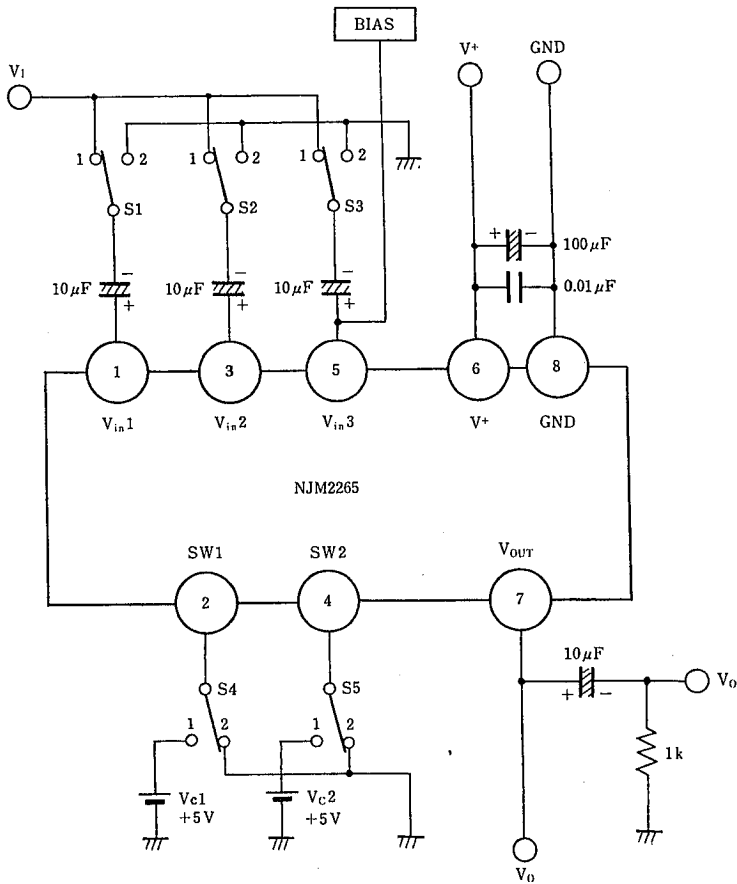
a) S1=S4=1, S2=S3=2, S5=1 and 2 b) S2=1, S1=S3=S4=2, S5=1 and 2 c) S3=1, S1=S2=S5=2, S4=1 and 2

Note 3 The Clamp Input Voltage of Vin 1 and Vin 2 is approximately (2.1×V*)/5 (In case of V*=5V, about 2.1V)

■ SWITCH CONTROL SIGNAL-OUTPUT SIGNAL

SW 1	SW 2	OUTPUT SIGNAL
L	L	V _{in1}
H	L	V _{in2}
L/H	H	V _{in3}

■ TEST CIRCUIT

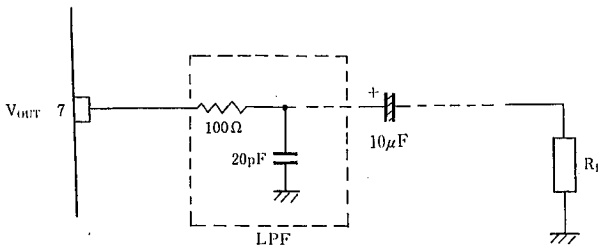


■ APPLICATION

Oscillation Prevention

It is much effective to insert LPF (Cutoff Frequency 70MHz)
under light loading conditions ($R_L \gg 1k\Omega$)

This IC requires $1M\Omega$ resistance between INPUT and GND pin for clamp type input since the minute current causes an unstable pin voltage.



MEMO

[CAUTION]

The specifications on this databook are only given for information, without any guarantee as regards either mistakes or omissions. The application circuits in this databook are described only to show representative usages of the product and not intended for the guarantee or permission of any right including the industrial rights.