

■ MAXIMUM RATINGS

(Ta=25°C)

PARAMETER	SYMBOL	RATINGS	UNIT
Supply Voltage	V ⁺	14	V
Power Dissipation	P _D	(DIP 16) 700	mW
		(DMP 16) 350	mW
Operating Temperature Range	T _{opr}	-40 ~ +85	°C
Storage Temperature Range	T _{stg}	-40 ~ +125	°C

■ ELECTRICAL CHARACTERISTICS

(V⁺=5V, Ta=25°C)

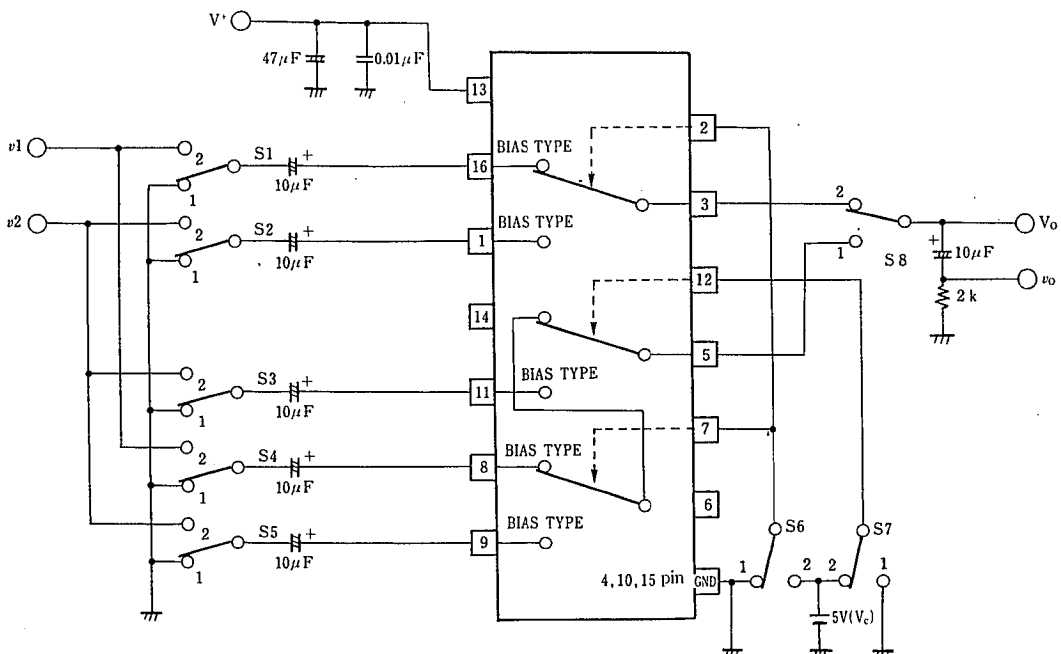
PARAMETER	SYMBOL	TEST CONDITION	MIN.	TYP.	MAX.	UNIT
Operating Current (1)	I _{cc1}	V ⁺ =5V (Note1)	6.8	9.8	12.8	mA
Operating Current (2)	I _{cc2}	V ⁺ =9V (Note1)	8.7	12.5	16.3	mA
Voltage Gain	G _v	V _i = 100kHz, 2V _{r-p} , V _O /V _I	-0.6	-0.1	+0.4	dB
Frequency Gain	G _f 1	V _i = 2V _{r-p} , V _O (10MHz)/V _O (100kHz)	-1.0	0	+1.0	dB
Differential Gain	DG	V _i = 2V _{r-p} , Standard Staircase Signal	—	0.3	—	%
Differential Phase	DP	V _i = 2V _{r-p} , Standard Staircase Signal	—	0.3	—	deg
Output offset Voltage (1)	V _{os1}	(Note2)	-10	0	+10	mV
Output offset Voltage (2)	V _{os2}	(Note3)	-25	0	+25	mV
Crosstalk	CT	V _i = 2V _{r-p} , 4.43MHz, V _O /V _I	—	-75	—	dB
Switch Change Over Voltage	V _{CH}	All inside Switches ON	2.5	—	—	V
Switch Change Over Voltage	V _{CL}	All inside Switches OFF	—	—	1.0	V

(Note1) S1=S2=S3=S4=S5=S6=S7=1

(Note2) S1=S2=S3=S4=S5=1, S8=2, S7=1, S6=1→2 Measure the output DC voltage difference

(Note3) S1=S2=S3=S4=S5=1, S8=1, S7=1, S6=1→2 (S6=1, S7=1→2) Measure the output DC voltage difference

■ TEST CIRCUIT



■ TERMINAL EXPLANATION

PIN No.	PIN NAME	VOLTAGE	INSIDE EQUIVALENT CIRCUIT
8 9 11 16 1	IN 1 A IN 1 B IN 1 C IN 2 A IN 2 B (Input)	2.5V $\left(\frac{1}{2}V^+\right)$	
7 12 2	CTL 1 A CTL 1 B CTL 2 (Switching)		
5	OUT 1 (Output)	1.8V $\left(\frac{1}{2}V^+ - 0.7\right)$	
3	OUT 2 (Output)	1.8V $\left(\frac{1}{2}V^+ - 0.7\right)$	
13	V+	5V	
15 4 10	GND 1 GND 2 GND 3		

5

MEMO

[CAUTION]

The specifications on this databook are only given for information, without any guarantee as regards either mistakes or omissions. The application circuits in this databook are described only to show representative usages of the product and not intended for the guarantee or permission of any right including the industrial rights.