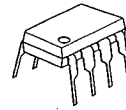


3-INPUT 1-OUTPUT VIDEO SWITCH

■ GENERAL DESCRIPTION

The NJM2534 is a video switch for VCR, TV and others. It contains three bias-type inputs and one buffer-type output.

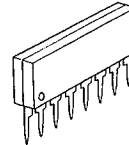
■ PACKAGE OUTLINE



NJM2534D



NJM2534M



NJM2534L

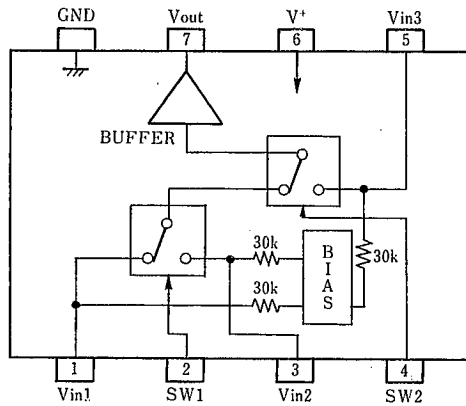


NJM2534V

■ FEATURES

- Operating Voltage (+4.5V ~ +13V)
- Low Operating Current (4.7mA MAX)
- Crosstalk (-70dB)
- 3-Input, 1-Output
- Bipolar Technology
- Package Outline DIP8, DMP8, SIP8, SSOP8

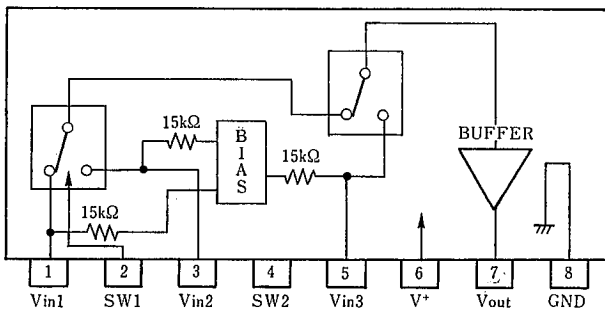
■ PIN CONFIGURATION



NJM2534D
NJM2534M
NJM2534V

PIN FUNCTION

- 1 : Vin1
- 2 : SW1
- 3 : Vin2
- 4 : SW2
- 5 : Vin3
- 6 : V+
- 7 : V_{OUT}
- 8 : GND



NJM2534L

PIN FUNCTION

- 1 : Vin1
- 2 : SW1
- 3 : Vin2
- 4 : SW2
- 5 : Vin3
- 6 : V+
- 7 : V_{OUT}
- 8 : GND

5

■ ABSOLUTE MAXIMUM RATINGS

(Ta=25°C)

PARAMETER	SYMBOL	RATINGS	UNIT
Supply Voltage	V*	+15	V
Power Dissipation	P _D	(DIP-8) 500 (DMP-8) 300 (SIP-8) 800 (SSOP-8) 250	mW
Operating Temperature Range	T _{opr}	-20~+75	°C
Storage Temperature Range	T _{stg}	-40~+125	°C

■ ELECTRICAL CHARACTERISTICS

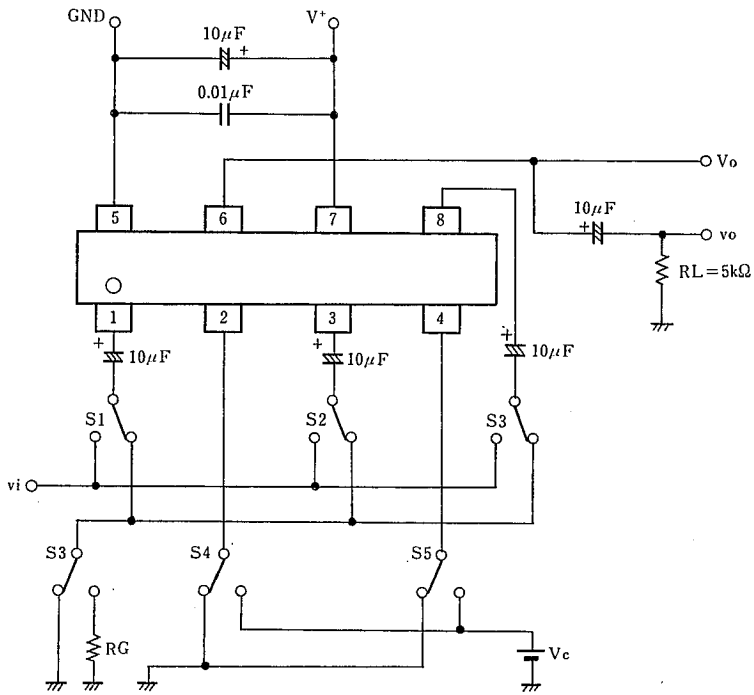
(V*=5V, Ta=25°C)

PARAMETER	SYMBOL	TEST CONDITIONS	MIN.	TYP.	MAX.	UNIT
Operating Voltage	V*		+4.5	—	+13.0	V
Operating Current	I _{cc}		—	3.7	4.7	mA
Frequency Characteristics	G _f	V _{IN} =2V _{pp} , V _O =10MHz/100kHz	-1.0	0	+1.0	dB
Voltage Gain	G _v	V _{IN} =2V _{pp} , 100kHz	-0.5	0	+0.5	dB
Total Harmonic Distortion	THD	V _{IN} =2.5V _{pp} , 1kHz	—	0.05	0.1	%
Differential Gain	DG	V _{IN} =2V _{pp} , Standard staircase signal, APL=50%	—	0	3.0	%
Differential Phase	DP	V _{IN} =2V _{pp} , Standard staircase signal, APL=50%	—	0	3.0	deg
Output Offset Voltage	V _{off}		-30	0	+30	mV
Crosstalk	CT	V _{IN} =2V _{pp} , 4.3MHz	—	-70	-60	dB
Switching Voltage	V _{CH}		2.4	—	—	V
	V _{CL}		—	—	0.8	V
Input Impedance	R _I		—	30	—	kΩ
Output Impedance	R _O		—	25	—	Ω
Input Bias Voltage	V _{IN}		—	2.5	—	V

■ INPUT CONTROL SIGNAL-OUTPUT SIGNAL

SW1	SW2	OUTPUT SIGNAL
L	L	V _{IN1}
H	L	V _{IN2}
L/H	H	V _{IN3}

■ TEST CIRCUIT



5

MEMO

[CAUTION]

The specifications on this databook are only given for information, without any guarantee as regards either mistakes or omissions. The application circuits in this databook are described only to show representative usages of the product and not intended for the guarantee or permission of any right including the industrial rights.