

BAND PASS FILTER FOR AUDIO SPECTRUM ANALYZER DISPLAY

■ GENERAL DESCRIPTION

The NJU7509 is a band pass filter for audio spectrum analyzer display and realizes the quick response for audio high frequency signal band.

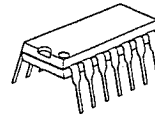
The NJU7509 contains high and low band pass filter, oscillation circuit, clock generator, control circuit, and DC transfer circuit.

The band pass filter consists of 11-band each for left and right channels, and used switched capacitor filter.

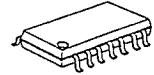
The NJU7509 prepares two separated output terminals in a channel. One is for the audio high frequency signal band to realized the quick response by three time output within an output period, and the other is for the audio low frequency signal band. the each data are output by serial, therefore it is realized in small package.

The NJU7509 is used in graphic equalizer system and other audio graphic applications.

■ PACKAGE OUTLINE



NJU7509D

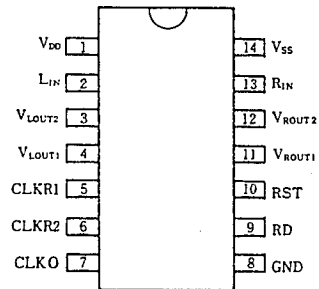


NJU7509M

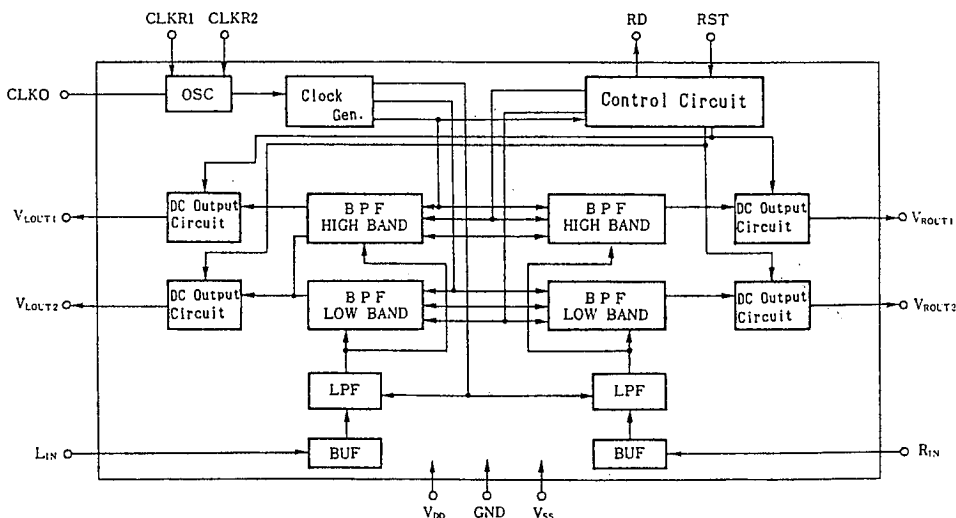
■ FEATURES

- Band pass filter for stereo application spectrum analyzer
- Band pass filter for audio frequency band
- Quick response for high frequency band
- DC transfer and peak hold circuit On-chip
- Switched capacitor filter Technology
- CR oscillation circuit On-chip, External R required
- Package Outline -- DIP14 / DMP14
- C-MOS Technology

■ PIN CONFIGURATION



■ BLOCK DIAGRAM



5

■ TERMINAL DESCRIPTION

NO.	SYMBOL	F U N C T I O N
1 8 14	V _{DD} GND V _{SS}	Positive power supply +5.0 V GND 0 V Negative power supply -5.0 V
2 13	L _{IN} R _{IN}	L-channel audio signal input terminal. R-channel audio signal input terminal.
4 11	V _{LOUT1} V _{ROUT1}	L-channel band pass filter output terminal. R-channel band pass filter output terminal.
3 12	V _{LOUT2} V _{ROUT2}	L-channel band pass filter output terminal. R-channel band pass filter output terminal.
5 6	CLKR1 CLKR2	Oscillation terminal. External Resistor or Ceramic resonator connects to these terminals.
7	CLKO	System clock output terminal.
9	RD	Data read enable signal output terminal to external controller.
10	RST	Initialization signal input terminal.

■ PEAK FREQUENCY Corresponding to each band

BAND	PEAK FREQUENCY(Hz)
f1	16K
f2	8K
f3	4K
f4	2K
f5	1K
f6	750
f7	500
f8	380
f9	250
f10	120
f11	60

■ FUNCTIONAL DESCRIPTION

(1) Interface to external controller

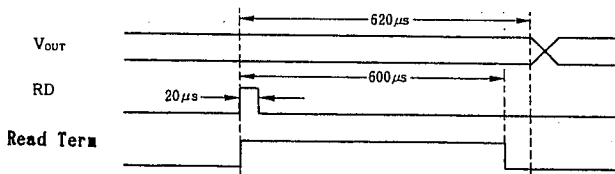
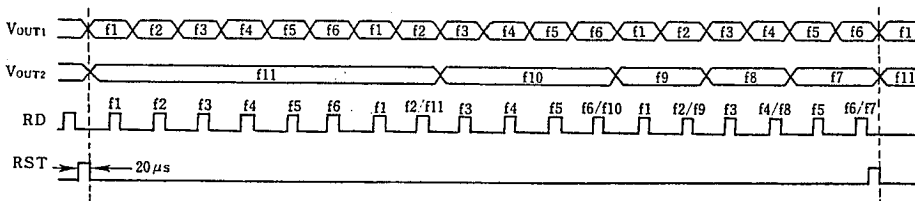
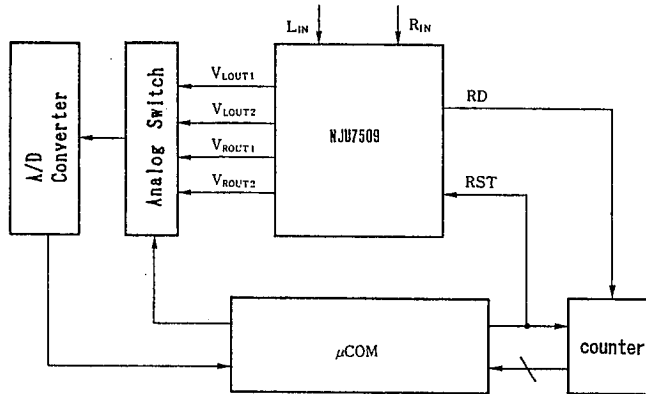
The NJU7509 outputs the filtered data for all bands of each channel by time shared serial output form to external controller.

(1-1) An interface example with other micro controller and counter

When the RST signal out from a micro controller input to the NJU7509, the internal circuits are initialized and each band data output from the NJU7509 serially as shown below time chart.

Just before the band changing, the NJU7509 outputs the RD signal to increase external counter. NJU3402.

A micro controller reads the output data of each band from the NJU7509 through the band judgment and analog switch which changed by 4 bit data of counter.

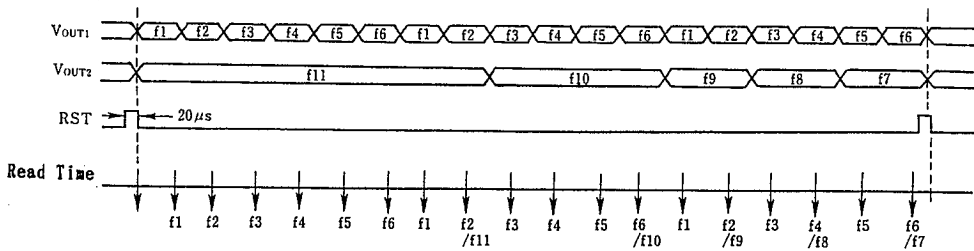
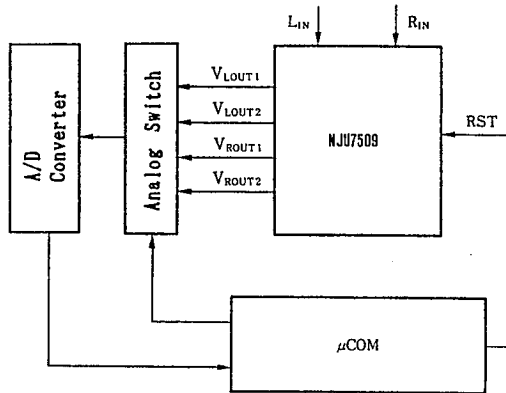


RD signal is output before 620 micro seconds to change the band of output data , then reading output data of each band should be performed within 600 micro seconds after fall edge of RD signal.

(1-2) An interface example with other micro controller

When the RST signal out from a micro controller input to the NJU7509, the internal circuits are initialized and each band data output from the NJU7509 serially as shown below time chart.

A micro controller reads the output data of each band from the NJU7509 through the analog switch which changed at the defined time (RST=0msec) of each band.



(RST=0msec)

BAND	Analog Switch Change Time(msec)
f1	9.62
f2	19.86
f3	30.10
f4	40.34
f5	50.58
f6	60.82
f1	71.06
f2/f11	81.30
f3	91.54
f4	101.78
f5	112.02
f6/f10	122.26
f1	132.50
f2/f9	142.74
f3	152.98
f4/f8	163.22
f5	173.46
f6/f7	183.70

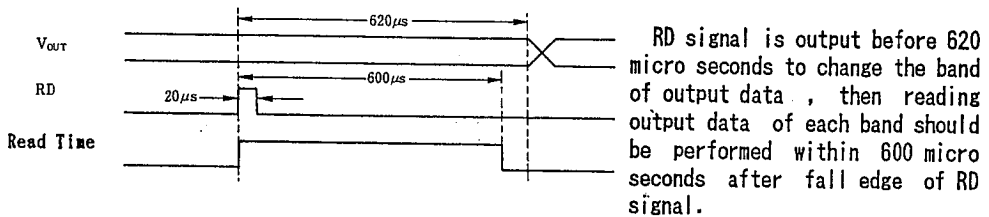
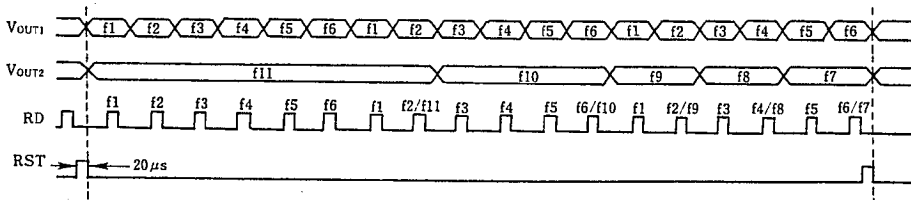
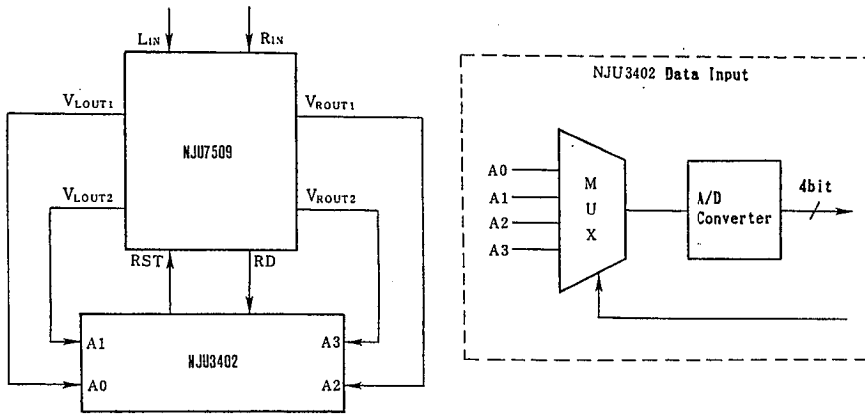
* This table shows for the 400kHz oscillation. If the oscillation frequency is changed, the time mentioned in the table is also changed proportionally. The time mentioned in the table is as same as rise edge timing of the RD signal.

(1-3) An interface example with 4-bit micro controller NJU3402

When The RST signal out from the NJU3402 input to the NJU7509, the internal circuits are initialized and each band data output from the NJU7509 serially as shown below time chart.

Just before the band changing, the NJU7509 outputs the RD signal as an interrupt signal to the NJU3402.

The NJU3402 counts the RD signal from the NJU7509 then the RST signal is output to the NJU7509 and the number of bands is determined.



■ ABSOLUTE MAXIMUM RATINGS

(Ta=25°C)

PARAMETER	SYMBOL	RATINGS	UNIT
Supply Voltage	V _{DD}	+7	V
	V _{SS}	-7	
Input Voltage	V _{IL} V _{IH}	0~V _{DD} +0.3 (RST Terminal)	V
	V _{ILC} V _{IHC}	0~V _{DD} +0.3 (CLKR Terminal)	
	V _{LIN} V _{RIN}	V _{SS} -0.3~V _{DD} +0.3 (L _{IN} , R _{IN} Terminals)	
Power Dissipation	PD	700 (DIP-14), 300 (DMP-14)	mW
Operating Temperature	T _{OPR}	-30 ~ +80	°C
Storage Temperature	T _{STG}	-40 ~ +125	°C

■ ELECTRICAL CHARACTERISTICS

DC CHARACTERISTICS

(V_{DD}=+5V, V_{SS}=-5V, Ta=25°C)

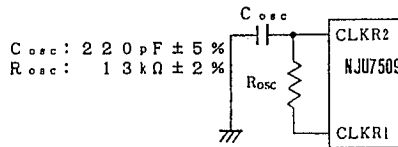
PARAMETER	SYMBOL	CONDITIONS	MIN	TYP	MAX	UNIT	NOTE
Operating Voltage	V _{DD}		4.5	5.0	5.5	V	
	V _{SS}		-4.5	-5.0	-5.5		
Operating Current	I _{DD}	V _{DD} =+5V, V _{SS} =-5V		10	20	mA	
Input Leak Current	I _{IL}	V _{CC} =5V	-10		10	μA	
Input Voltage	V _{IL}	RST Terminal	0		0.2V _{DD}	V	
	V _{IH}		0.8V _{DD}		V _{DD}		
Output Voltage	V _{OL}	R _L =100kΩ RD Terminal	0		0.1V _{DD}	V	
	V _{OH}		0.9V _{DD}		V _{DD}		
External Clock Input Voltage	V _{ILC}	CLKR2 Terminal	0		0.3V _{DD}	V	
	V _{IHC}		0.7V _{DD}		V _{DD}		
Clock Output Voltage	V _{OLC1}	CLKR1 Terminal	0		0.2V _{DD}	V	
	V _{OHc1}		0.8V _{DD}		V _{DD}		
Clock Monitor Output Voltage	V _{OLC2}	R _L =100kΩ, CLKO Terminal	0		0.1V _{DD}	V	
	V _{OHc2}		0.9V _{DD}		V _{DD}		
Output Offset Voltage	V _{OS}	V _{IN} =0V V _{OUT1(L,R)} V _{OUT2(L,R)} Terminal	0		500	mV	
BPF Output Voltage	V _{OUT}	f _{IN} =f1~f11 V _{IN} =200mVpk V _{OUT1(L,R)} V _{OUT2(L,R)} Terminals		26		dB	
				3.5		V	

ELECTRICAL CHARACTERISTICS
AC CHARACTERISTICS

(V_{DD}=+5V, V_{SS}=-5V, T_a=25°C)

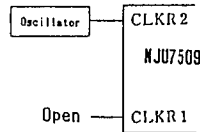
PARAMETER	SYMBOL	CONDITIONS	MIN	TYP	MAX	UNIT	UNIT
Oscillation Clock Frequency	f _{OSC}	R _{OSC} =13kΩ±2% C _{OSC} =220pF±5% CLKR1 Terminal	360	400	440	kHz	1
External Clock Frequency	f _{CLK}	CLKR2 Terminal		400			2
RD Pulse Width	t _{PWRD}	f _{OSC} =400kHz RD Terminal		20		μs	3
RST Pulse Width	t _{PWRS}	RST Terminal	20				3
RST Rise, Fall Time	t _r , t _f	RST Terminal			100	ns	3
RD(f6&f7)→RST Time	V _{ILC}	RD, RST Terminals	500			μs	3

NOTE 1) An example of the oscillation using a external resistor and capacitance.



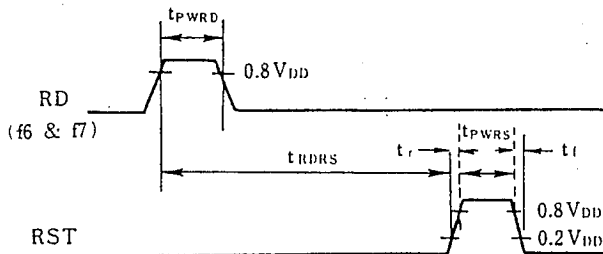
Short wiring is required to prevent a wide frequency drift by the stray capacitance of the CLKR1 and CLKR2 wiring.

NOTE 2) An example of external clock using.

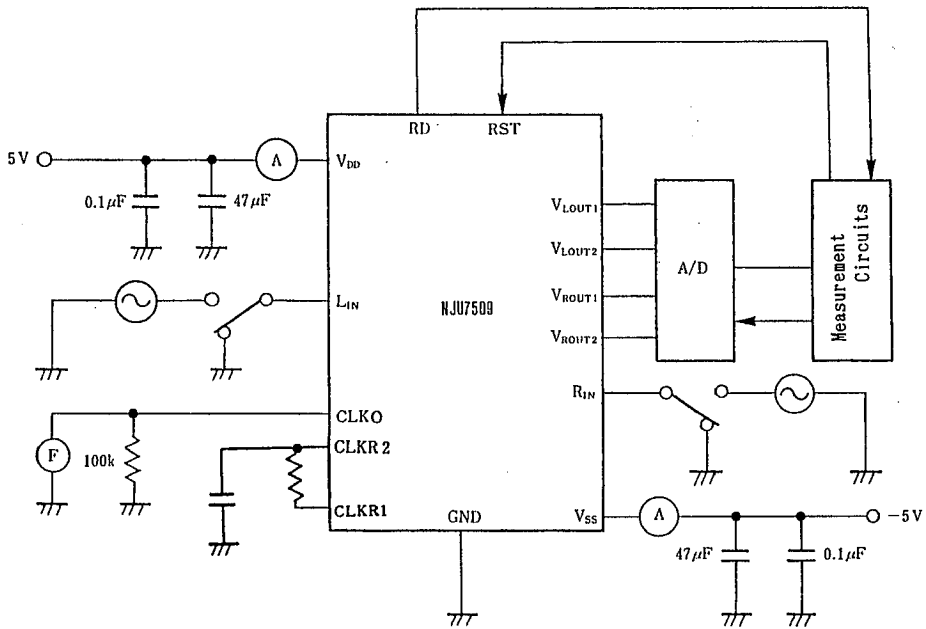


5

NOTE 3)

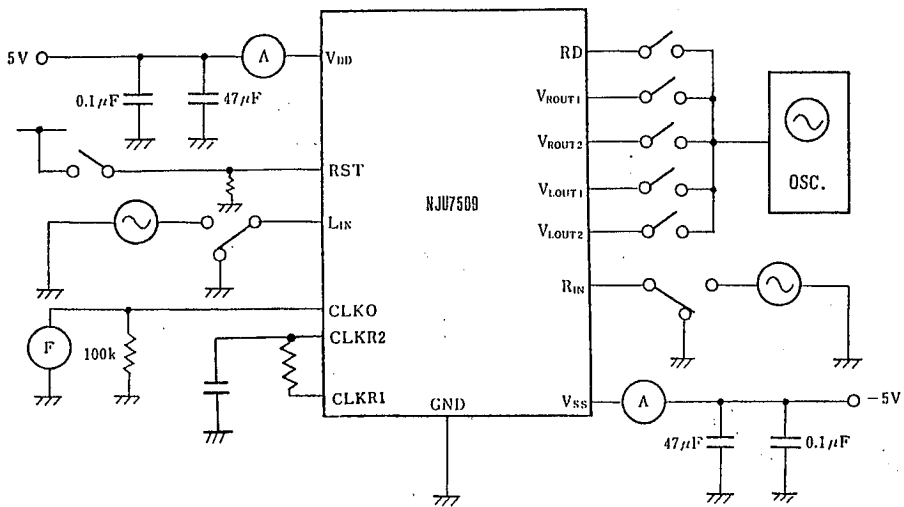


MEASUREMENT CIRCUIT (1)

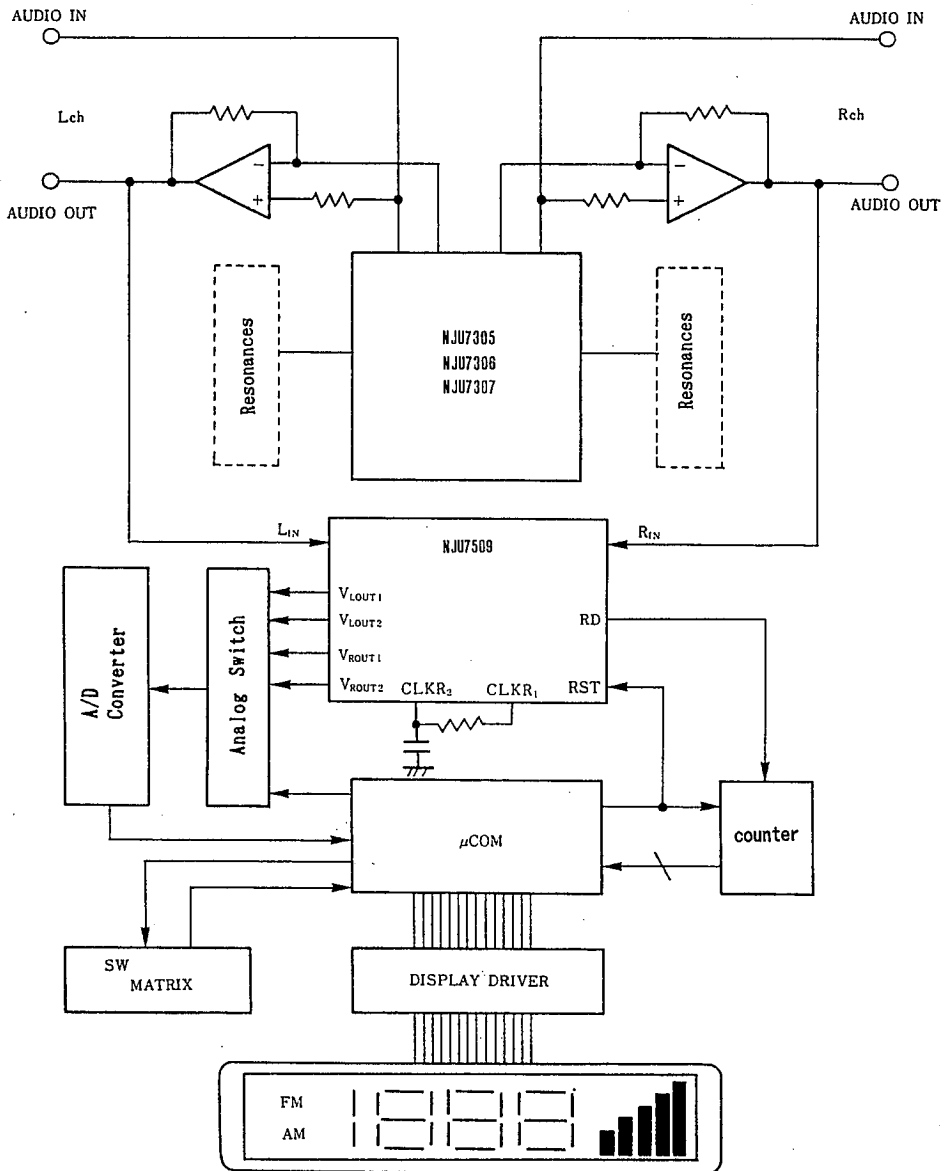


MEASUREMENT CIRCUIT (2)

5

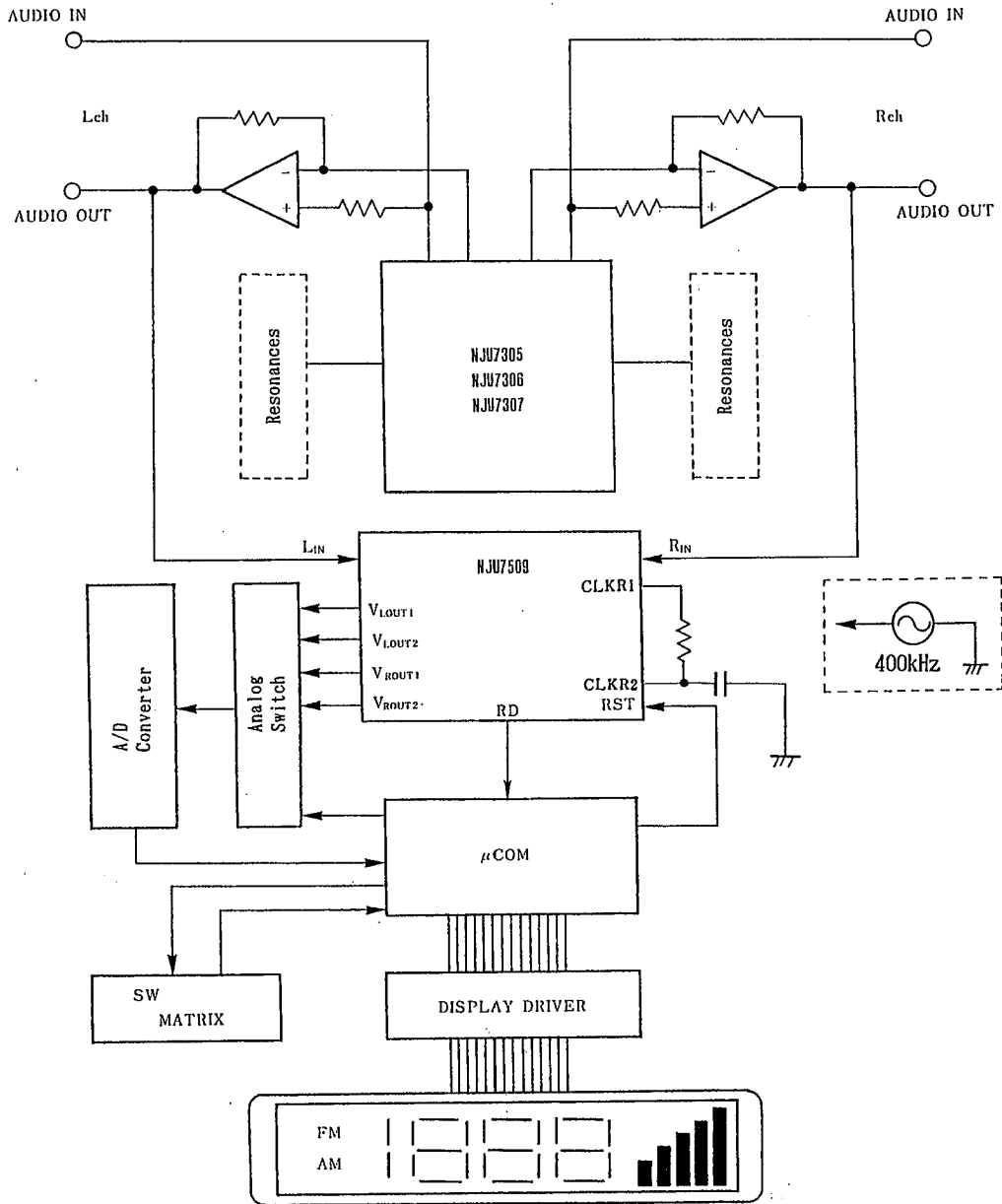


APPLICATION CIRCUIT (1)



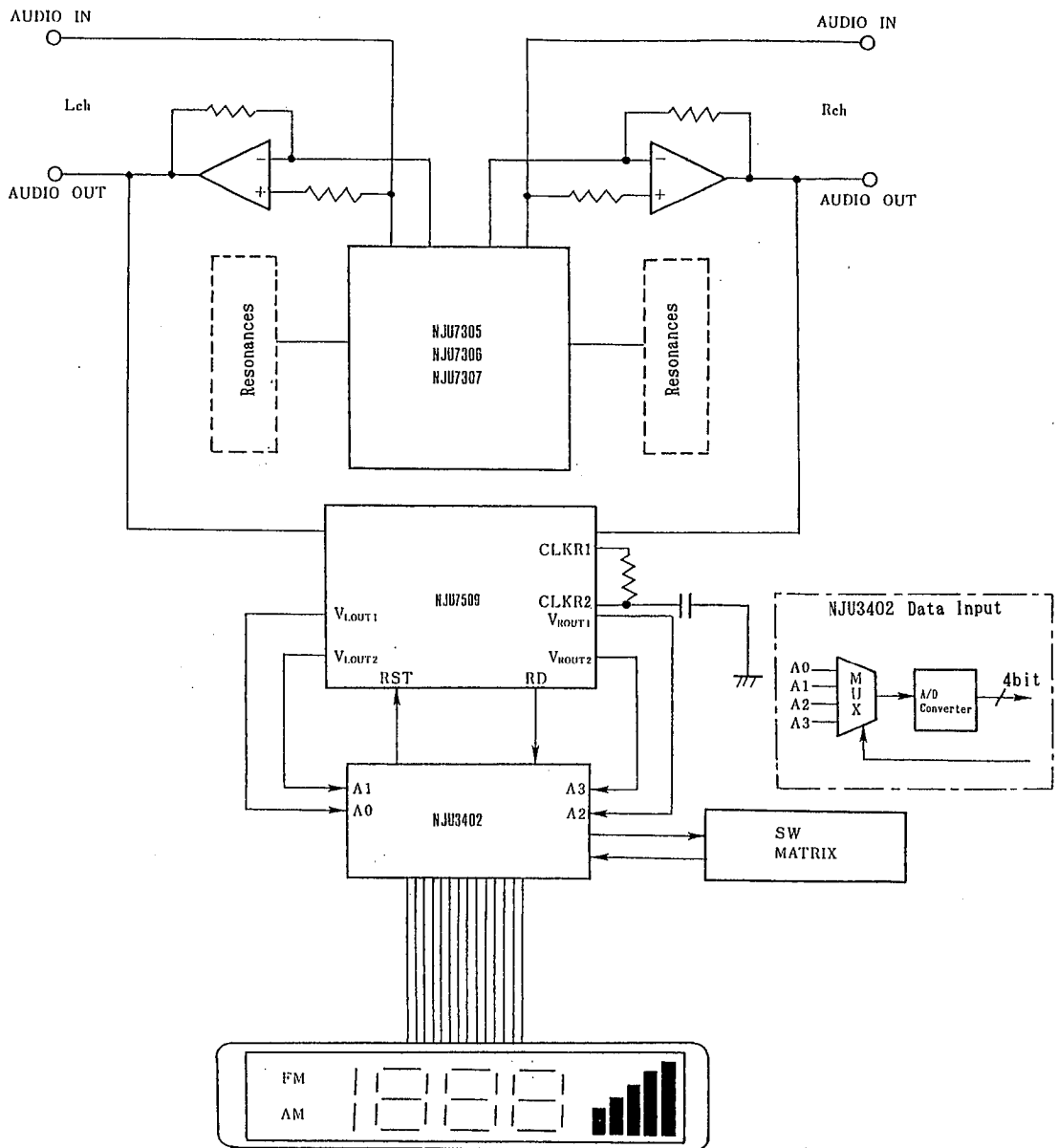
5

APPLICATION CIRCUIT (2)



5

APPLICATION CIRCUIT (3)



5