

### OVERVIEW

The SM5852DS is a digital signal processor IC that performs XBS (extra bass system), LIVE (pseudo-sound field) and ASC (train position) processing for use in digital audio reproduction equipment. It is designed for use with a 44.1 kHz sampling frequency.

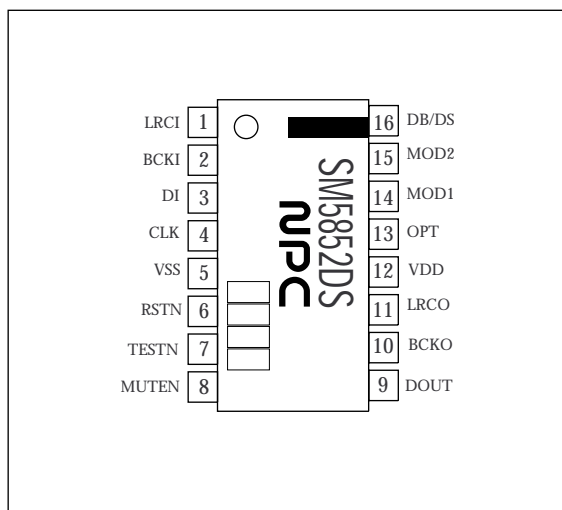
### FEATURES

- 2-channel processing
- XBS/LIVE functions
- XBS/LIVE processing bypass mode
- ASC function ON/OFF switching
- Input-level dependent dynamic gain characteristics
- Serial input/output interface  
2s complement, MSB first, 16-bit
- 384fs system clock
- 23 × 23-bit multiplier/30-bit high-precision accumulator
- TTL-compatible input/output
- 3.2 to 5.5 V operating voltage range
- 16-pin SOP
- Molybdenum-gate CMOS

### ORDERING INFORMATION

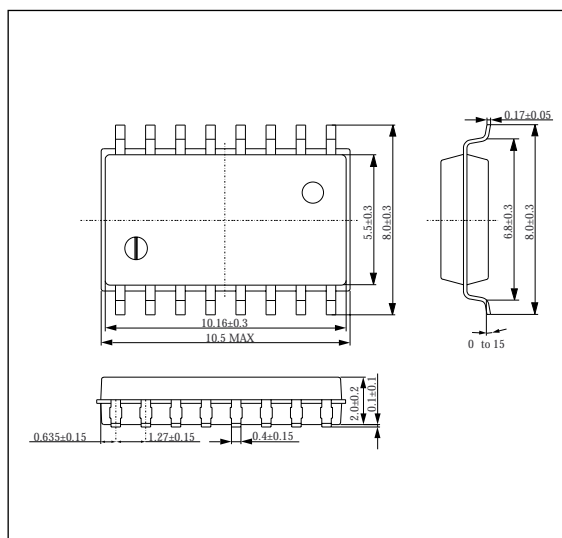
Device	Package
SM5852DS	16pin SOP

### PINOUT

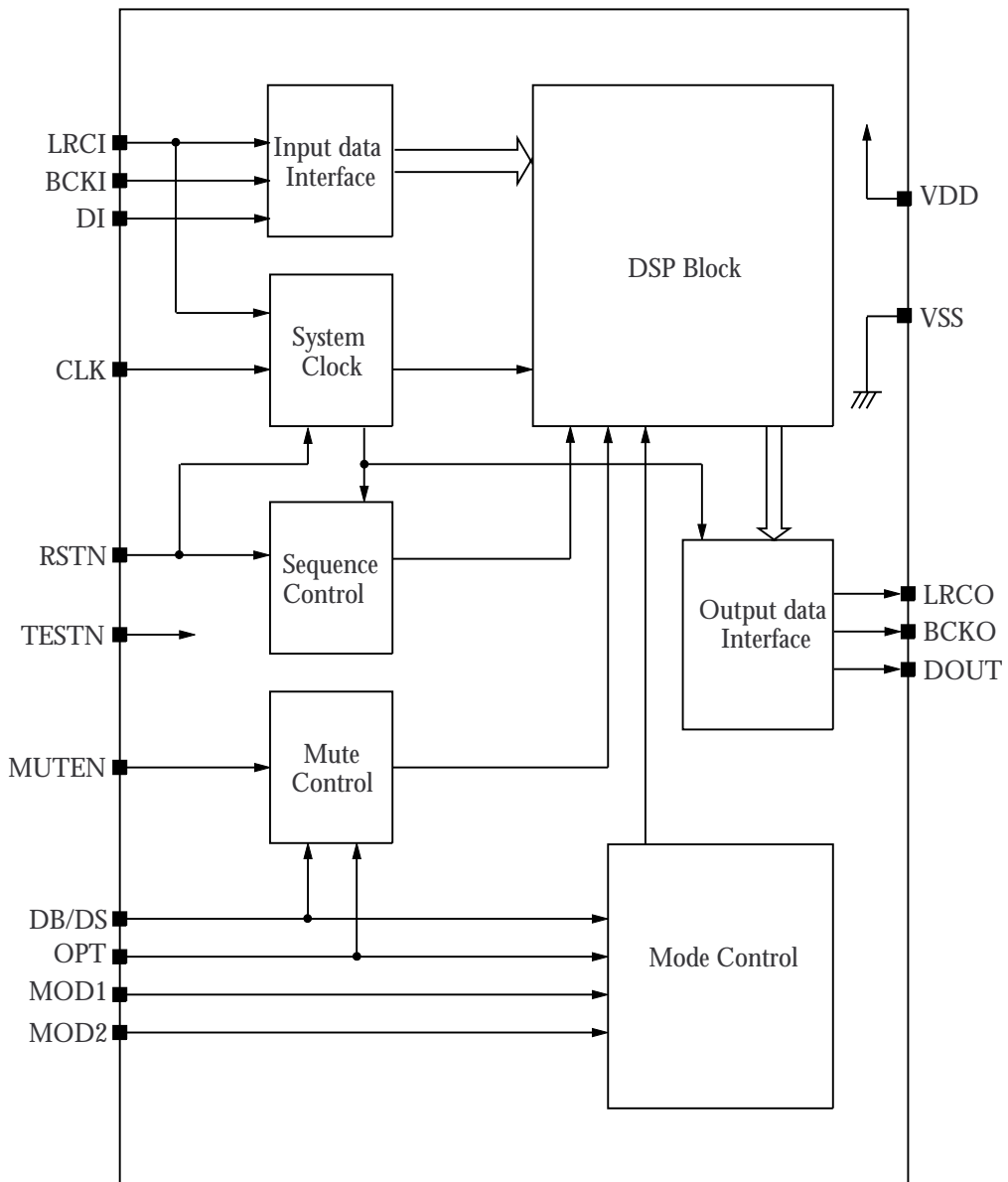


### PACKAGE DIMENSIONS

16-pin SOP (Unit: mm)



**BLOCK DIAGRAM**



## PIN DESCRIPTION

Number	Name	I/O <sup>1</sup>	Description
1	LRCI	Ip	Input data sample rate (fs) clock input
2	BCKI	Ip	Bit clock input
3	DI	Ip	Serial data input
4	CLK	I	Clock input
5	VSS	–	Ground
6	RSTN	Ip	System reset initialization. Reset when LOW.
7	TESTN	Ip	Test mode input. Testing when LOW.
8	MUTEN	Ip	Mute input. Muting when LOW.
9	DOUT	O	Serial data output
10	BCKO	O	Bit clock output
11	LRCO	O	Output data sample rate (fs) clock output
12	VDD	–	3.2 to 5.5V supply
13	OPT	Ip	ASC ON/OFF switch control. OFF when HIGH, and ON when LOW.
14	MOD1	Ip	XBS/LIVE low-pass gain select inputs. The XBS/LIVE function is bypassed when both MOD1 and MOD2 are HIGH.
15	MOD2	Ip	
16	DB/DS	Ip	LIVE ON/OFF switch control. OFF when HIGH, and ON when LOW. The LIVE function is bypassed when both MOD1 and MOD2 are HIGH.

1. Ip = Input pin with pull-up resistor. Accordingly, they can be left open for HIGH-level input.

## SPECIFICATIONS

### Absolute Maximum Ratings

$V_{SS} = 0\text{ V}$

Parameter	Symbol	Condition	Rating	Unit
Supply voltage	$V_{DD}$		-0.3 to 7.0	V
Input voltage	$V_{IN}$		$V_{SS} - 0.3$ to $V_{DD} + 0.3$	V
Storage temperature	$T_{stg}$		-55 to 125	°C
Power dissipation	$P_D$		250	mW
Soldering temperature	$T_{sld}$		255	°C
Soldering time	$t_{sld}$		10	s

### Recommended Operating Conditions

$V_{SS} = 0\text{ V}$

Parameter	Symbol	Condition	Rating	Unit
Supply voltage	$V_{DD}$		3.2 to 5.5	V
Operating temperature	$T_{opr}$		-20 to 80	°C

### DC Characteristics

Standard voltage:  $V_{DD} = 4.5$  to  $5.5\text{ V}$ ,  $V_{SS} = 0\text{ V}$ ,  $T_a = -20$  to  $80\text{ °C}$

Parameter	Symbol	Condition	Rating			Unit
			min	typ	max	
Current consumption <sup>1</sup>	$I_{DD}$	$V_{DD} = 5.0\text{ V}$	-	16	23	mA
Input voltage for all inputs <sup>2</sup>	$V_{IH}$		2.4	-	-	V
	$V_{IL}$		-	-	0.5	V
Output voltage for all outputs <sup>3</sup>	$V_{OH}$	$I_{OH} = -0.4\text{ mA}$	2.5	-	-	V
	$V_{OL}$	$I_{OL} = 1.6\text{ mA}$	-	-	0.4	V
Input leakage current for all inputs <sup>1</sup>	$I_{LH}$	$V_{IN} = V_{DD}$	-	-	1.0	μA
CLK input leakage current	$I_{LL}$	$V_{IN} = 0\text{ V}$	-	-	1.0	μA
Input current for all inputs except CLK	$I_{IL}$	$V_{IN} = 0\text{ V}$	-	-	20	μA

1.  $f_{CLK} = 384\text{ fs} = 16.9344\text{ MHz}$ , no output load, input data conformance with NPC test pattern

2. LRCI, BCKI, DI, RSTN, TESTN, MUTEN, OPT, MOD1, MOD2, DB / DS

3. LRCO, BCKO, DOUT

Low voltage:  $V_{DD} = 3.2$  to  $4.5\text{ V}$ ,  $V_{SS} = 0\text{ V}$ ,  $T_a = -20$  to  $70\text{ °C}$

Parameter	Symbol	Condition	Rating			Unit
			min	typ	max	
Current consumption <sup>1</sup>	$I_{DD}$	$V_{DD} = 3.4\text{ V}$	-	7	10	mA
Input voltage for all inputs <sup>2</sup>	$V_{IH}$		2.4	-	-	V
	$V_{IL}$		-	-	0.5	V
Output voltage for all outputs <sup>3</sup>	$V_{OH}$	$I_{OH} = -0.2\text{ mA}$	2.5	-	-	V
	$V_{OL}$	$I_{OL} = 0.8\text{ mA}$	-	-	0.4	V
Input leakage current for all inputs	$I_{LH}$	$V_{IN} = V_{DD}$	-	-	1.0	μA
CLK input leakage current	$I_{LL}$	$V_{IN} = 0\text{ V}$	-	-	1.0	μA
Input current for all inputs except CLK	$I_{IL}$	$V_{IN} = 0\text{ V}$	-	-	12	μA

1.  $f_{CLK} = 384\text{ fs} = 16.9344\text{ MHz}$ , no output load, input data conformance with NPC test pattern

2. LRCI, BCKI, DI, RSTN, TESTN, MUTEN, OPT, MOD1, MOD2, DB / DS

3. LRCO, BCKO, DOUT

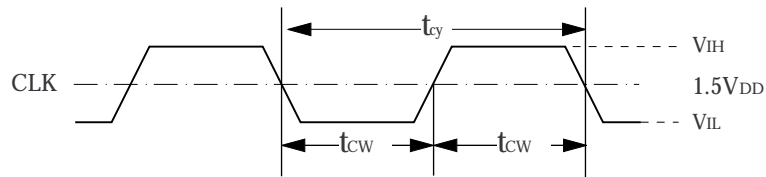
**AC Characteristics**

Standard voltage:  $V_{DD} = 4.5$  to  $5.5$  V,  $V_{SS} = 0$  V,  $T_a = -20$  to  $80$  °C

Low voltage:  $V_{DD} = 3.2$  to  $4.5$  V,  $V_{SS} = 0$  V,  $T_a = -20$  to  $70$  °C

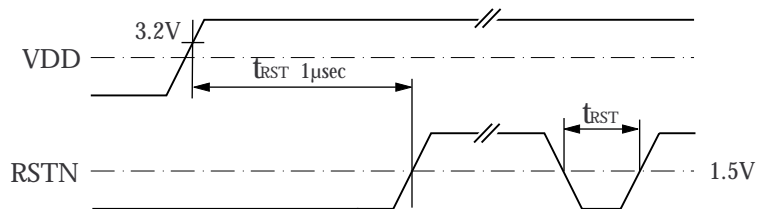
**CLK (384fs)**

Parameter	Symbol	Condition	Rating			Unit
			min	typ	max	
Clock pulsewidth	$t_{CW}$		24	-	500	ns
Clock cycle time	$t_{CY}$		55	59	1000	ns



**RSTN**

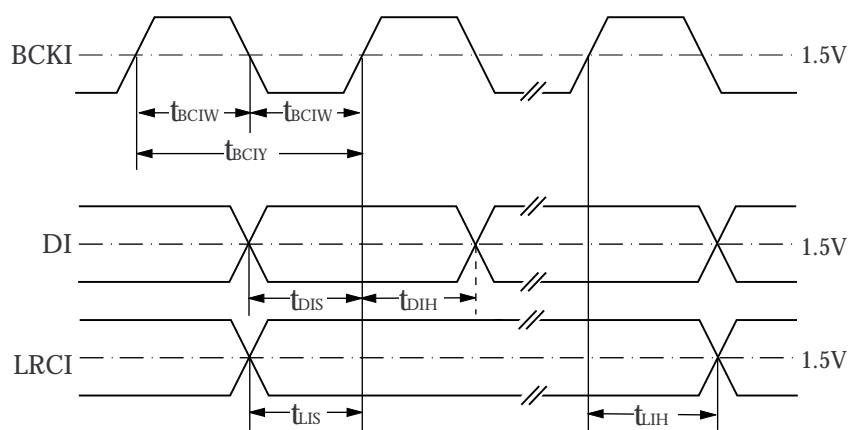
Parameter	Symbol	Condition	Rating			Unit
			min	typ	max	
Reset LOW-level pulsewidth	$t_{RST}$	At power-ON	1	-	-	$\mu$ s
		At all other times	50	-	1000	ns



RSTN should be set LOW at power-ON and after reacquiring synchronization. Note that if RSTN is LOW for longer than 1  $\mu$ s, a through-current flows in the internal dynamic circuits because the internal clock is stopped. The through-current has no rated value, so the reset pulse should be kept as short as possible at all times other than at power-ON.

## Serial input timing

Parameter	Symbol	Condition	Rating			Unit
			min	typ	max	
BCKI pulsewidth	$t_{\text{BCIW}}$		100	-	-	ns
BCKI cycle time	$t_{\text{BCIY}}$		200	-	-	ns
DI setup time	$t_{\text{DIS}}$		75	-	-	ns
DI hold time	$t_{\text{DIH}}$		75	-	-	ns
LRCI setup time	$t_{\text{LIS}}$		75	-	-	ns
LRCI hold time	$t_{\text{LIH}}$		75	-	-	ns



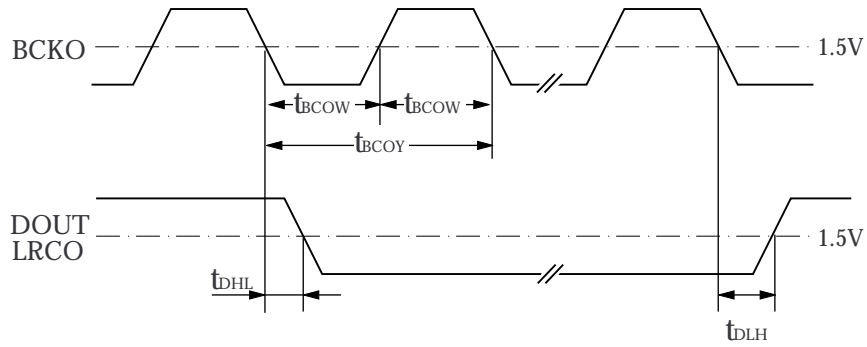
## DB/DS, OPT

Parameter	Symbol	Condition	Rating			Unit
			min	typ	max	
Minimum pulsewidth	$t_w$		$2/f_s$	-	-	ns

When DB/DS or OPT change state, the input level must be constant for a minimum of  $2/f_s$  ( $2 \times$  LRCI cycle time). Input levels of duration less than  $2/f_s$  may be ignored.

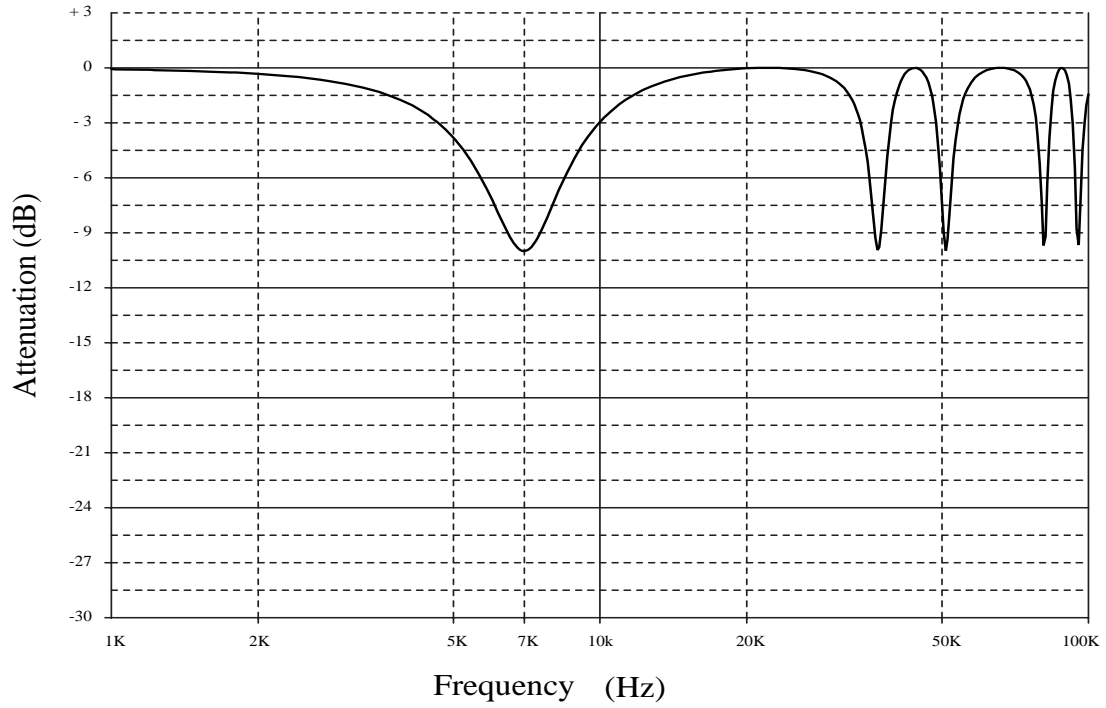
## Serial output timing

Parameter	Symbol	Condition	Rating			Unit
			min	typ	max	
BCKO pulsewidth	$t_{BCOW}$	15 pF load	180	1/96fs	-	ns
BCKO cycle time	$t_{BCOY}$	15 pF load	400	1/48fs	-	ns
DOUT, LRCO output delay time	$t_{DHL}$	15 pF load	-20	-	60	ns
	$t_{DLH}$	15 pF load	-20	-	60	ns



## Filter Characteristics

### ASC filter frequency response (theoretical)

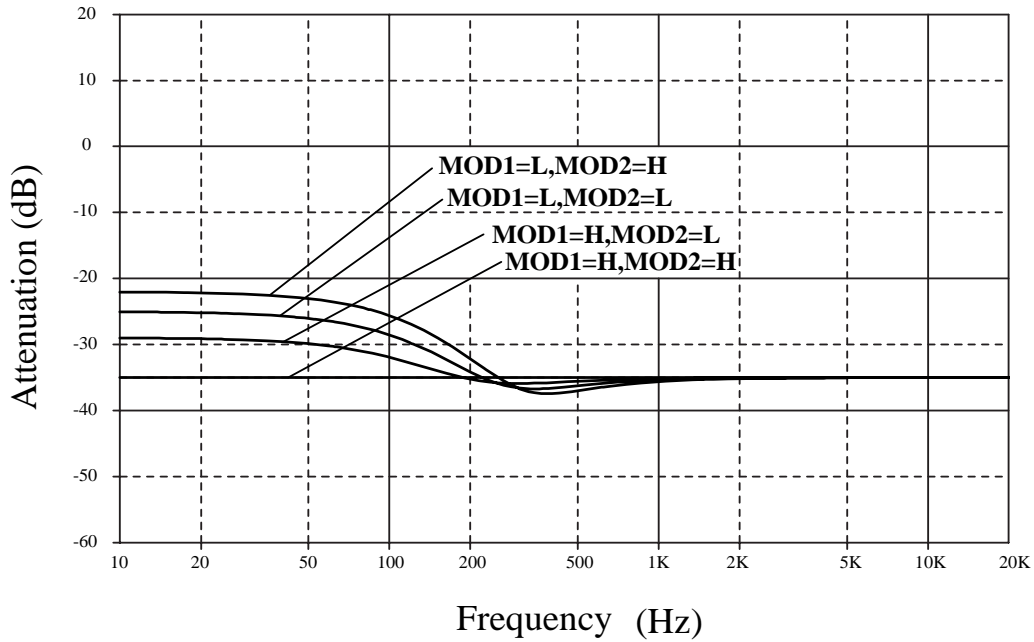




**XBS Gain Characteristics**

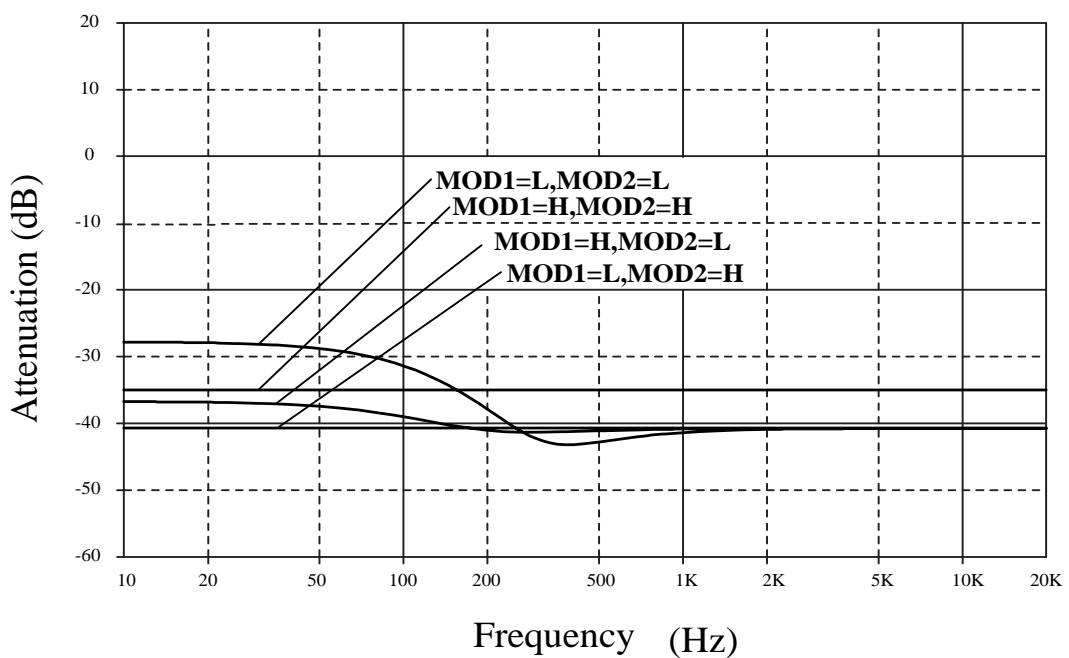
**DB/DS = HIGH**

**L ch. = R ch. = -35dB same phase data input**

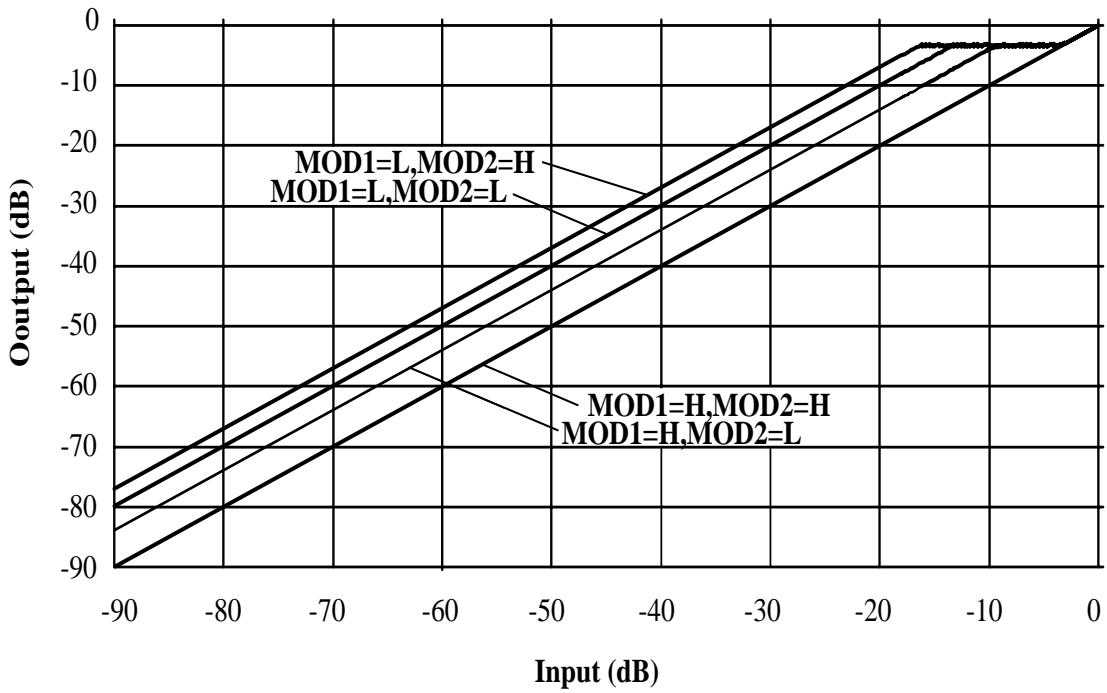


**DB/DS = LOW**

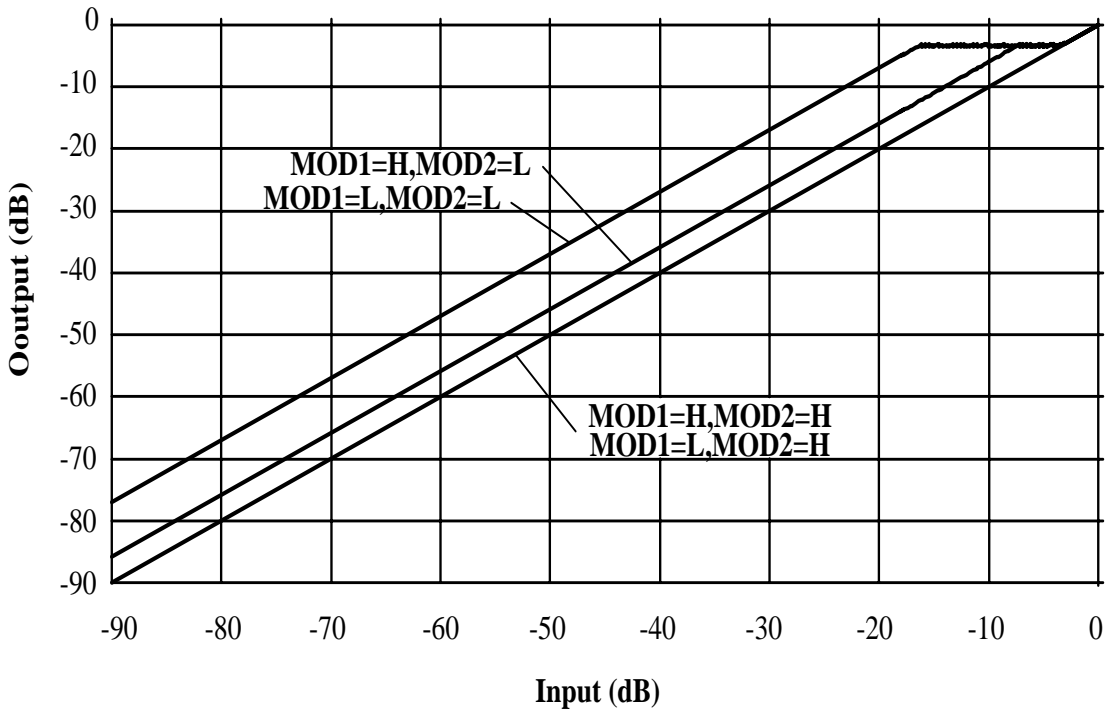
**L ch. = R ch. = -35dB same phase data input**



XBS frequency response (DB/DS = HIGH)

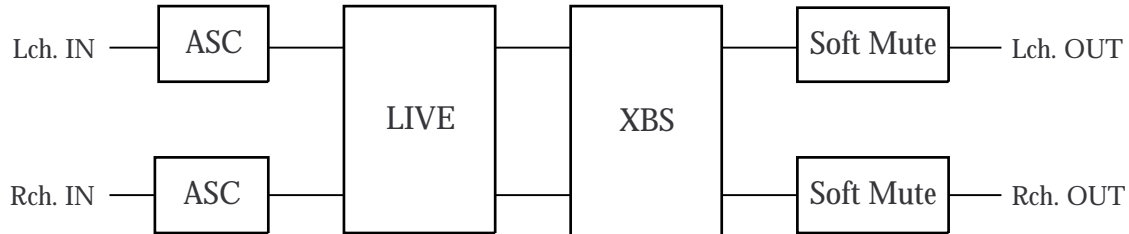


XBS + LIVE frequency response (DB/DS = LOW)



## FUNCTIONAL DESCRIPTION

### Signal Flow



### ASC Function

The ASC (train position) function uses a 7 kHz band-limited filter to cut-off sound leakage from headphones. The ASC function is OFF when OPT is HIGH, and ON when OPT is LOW.

### LIVE Function

The LIVE (pseudo-sound field) function emphasizes the extent of the sound field by adding an inverse phase component from the opposite channel of the input signal. When used with the XBS function, low-frequency components of the spectrum are further emphasized.

The LIVE function is OFF when DB/DS is HIGH, and ON when DB/DS is LOW. Note that the function is also OFF when both MOD1 and MOD2 are HIGH.

### XBS Function

The XBS (extra bass system) function emphasizes the low-frequency end of the spectrum by changing the gain for low-frequency components of the input signal. The XBS gain is set by the states of MOD1 and MOD2. Note that the gain changes when the XBS function is used together with the LIVE function.

DB/DS	MOD1	MOD2	Maximum gain	Mode
LOW	LOW	LOW	+13 dB	XBS + LIVE
LOW	LOW	HIGH	0 dB	LIVE
LOW	HIGH	LOW	+4 dB	XBS + LIVE
LOW	HIGH	HIGH	0 dB	Off
HIGH	LOW	LOW	+10 dB	XBS
HIGH	LOW	HIGH	+13 dB	XBS
HIGH	HIGH	LOW	+6 dB	XBS
HIGH	HIGH	HIGH	0 dB	Off

### Soft Muting

Soft muting is active when MUTEN is LOW. When MUTEN is LOW, the attenuation changes smoothly from 0 to  $-\infty$  dB in 1024/fs, or approximately 23.2 ms.

When MUTEN goes HIGH, soft muting is released and the attenuation changes smoothly from  $-\infty$  to 0 dB, again taking approximately 23.2 ms.

Also, if a MUTEN transition occurs while the attenuation is changing, the attenuation then changes smoothly in the direction specified by the new level of MUTEN.

### DB/DS, OPT Switching Shock Noise

The soft muting function is also activated to eliminate switching shock noise when DB/DS or OPT change state. When DB/DS or OPT change state, the attenuation changes to  $-\infty$  dB, the internal circuit settings are activated and then soft muting is released. Therefore, a maximum time of approximately 46.4 ms is required to change the compression mode. Of course, if the attenuation is already  $-\infty$  dB after soft muting using MUTEN, then no time is required to change compression mode.

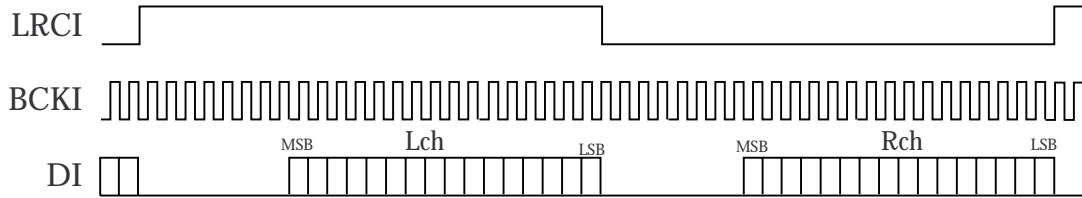
### Reset Initialization

RSTN should be set LOW at power-ON and after reacquiring synchronization. Note that if RSTN is LOW for longer than 1  $\mu$ s, a through-current flows in the LSI's internal dynamic circuits because the internal clock is stopped. The through-current has no rated value, so the reset pulse should be kept as short as possible at all times other than at power-ON.

When RSTN goes from LOW to HIGH, initialization hold is released and the initialization routine first resets the internal data over an interval of 4fs. During the initialization routine, the output data is forcibly muted so that there is no output signal.

## INPUT/OUTPUT TIMING

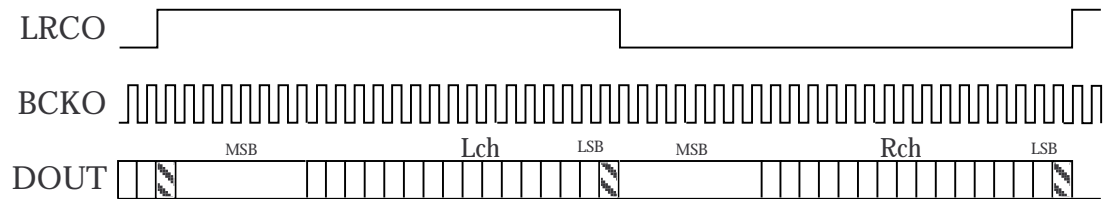
### Input Timing



There must be a minimum of 16 BCKI clock cycles to read in a single word of data.

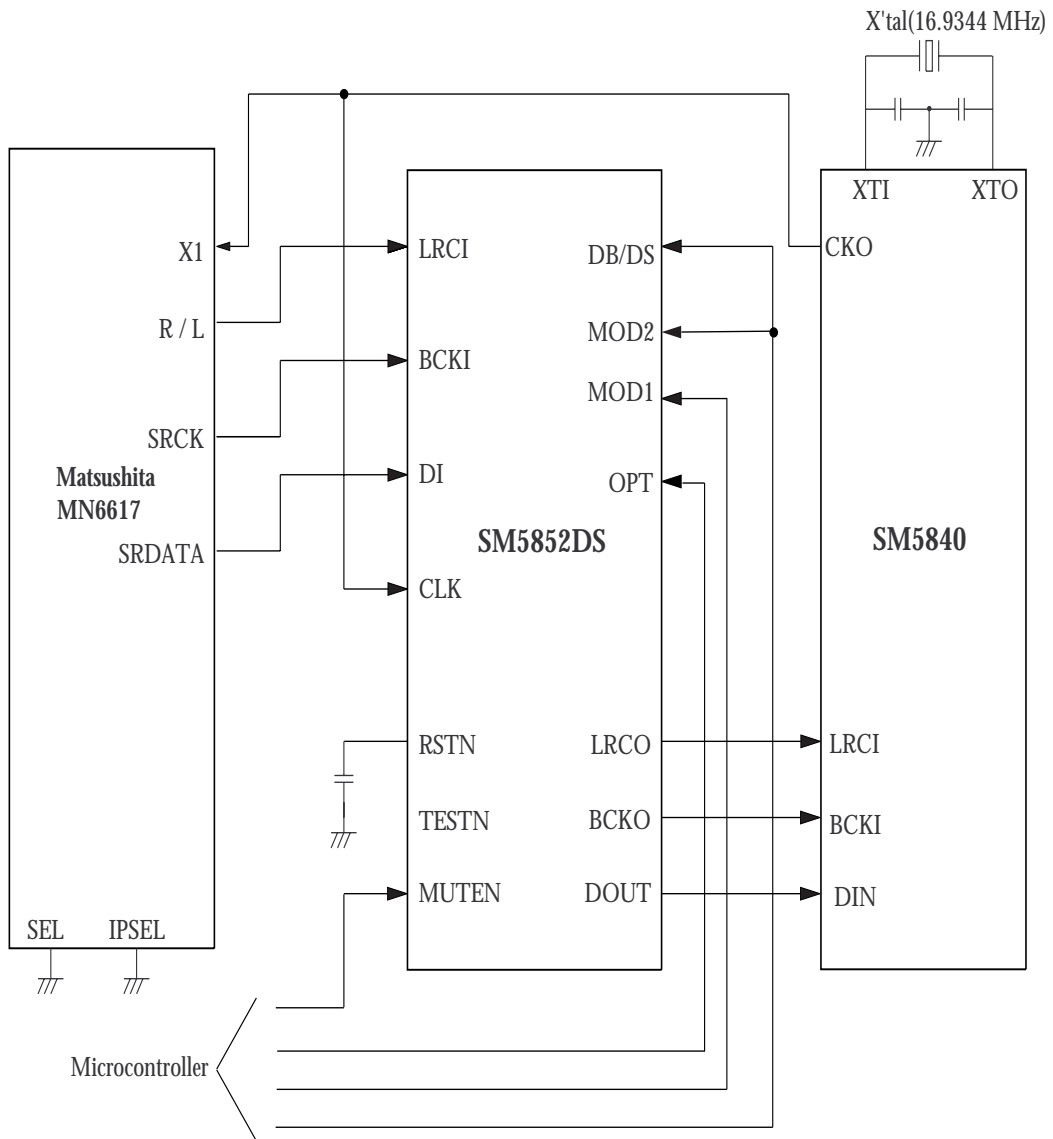
Data on DI is input in sync with the falling edge of BCKI in 16-bit serial, MSB first, 2s complement format.

### Output Timing



Shaded areas represent intervals of invalid data.

APPLICATION CIRCUIT



NIPPON PRECISION CIRCUITS INC. reserves the right to make changes to the products described in this data sheet in order to improve the design or performance and to supply the best possible products. Nippon Precision Circuits Inc. assumes no responsibility for the use of any circuits shown in this data sheet, conveys no license under any patent or other rights, and makes no claim that the circuits are free from patent infringement. Applications for any devices shown in this data sheet are for illustration only and Nippon Precision Circuits Inc. makes no claim or warranty that such applications will be suitable for the use specified without further testing or modification. The products described in this data sheet are not intended to use for the apparatus which influence human lives due to the failure or malfunction of the products. Customers are requested to comply with applicable laws and regulations in effect now and hereinafter, including compliance with export controls on the distribution or dissemination of the products. Customers shall not export, directly or indirectly, any products without first obtaining required licenses and approvals from appropriate government agencies.



NIPPON PRECISION CIRCUITS INC.

4-3, Fukuzumi 2 chome  
Koto-ku, Tokyo 135-8430, Japan  
Telephone: 03-3642-6661  
Facsimile: 03-3642-6698