

OVERVIEW

The SM8703AV is a 27 MHz master clock, 5-system output clock generator for MPEG2 system. It has 2 built-in PLLs that, with the addition of a single crystal oscillator element, can generate 384fs, 512fs and 768fs clocks which are necessary for MPEG2 system, plus independent fixed-frequency 27 MHz and 33.8688 MHz output clocks. Each output can stop unused output by using disable function, therefore, unnecessary radiation can be suppressed. Also, visual and audio synchronous is not disrupted since each output frequency is kept in the normal ratio. Supported sampling frequencies (fs) include 44.1 or 48 kHz.

FEATURES

- 27 MHz master clock (internal PLL reference clock)
- Generated clocks
 - 27 MHz output
 - 33.8688 MHz output
 - 384fs output
 - 512fs output
 - 768fs output
- Sampling frequency fs
 - 44.1/48 kHz
- Output disable function
- Low jitter output: 100 ps (typ, 15pF load)
- Supply voltage: 3.3 V
- 24-pin VSOP package

APPLICATIONS

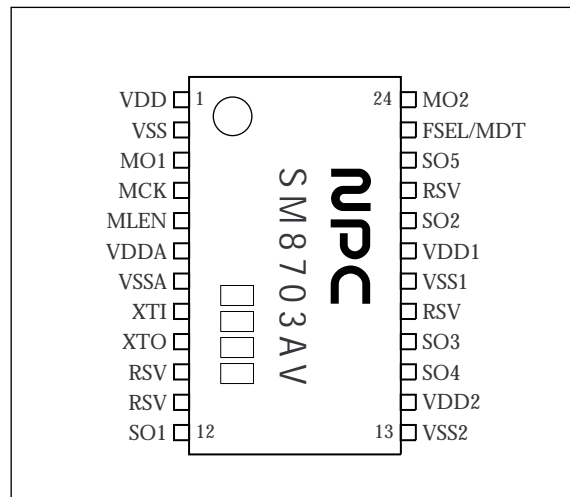
- DVD players
- Set top box
- MPEG2 system

ORDERING INFORMATION

Device	Package
SM8703AV	24-pin VSOP

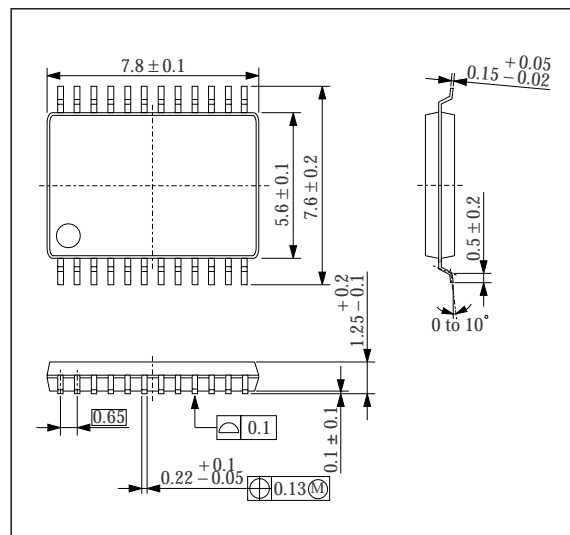
PINOUT

(Top View)

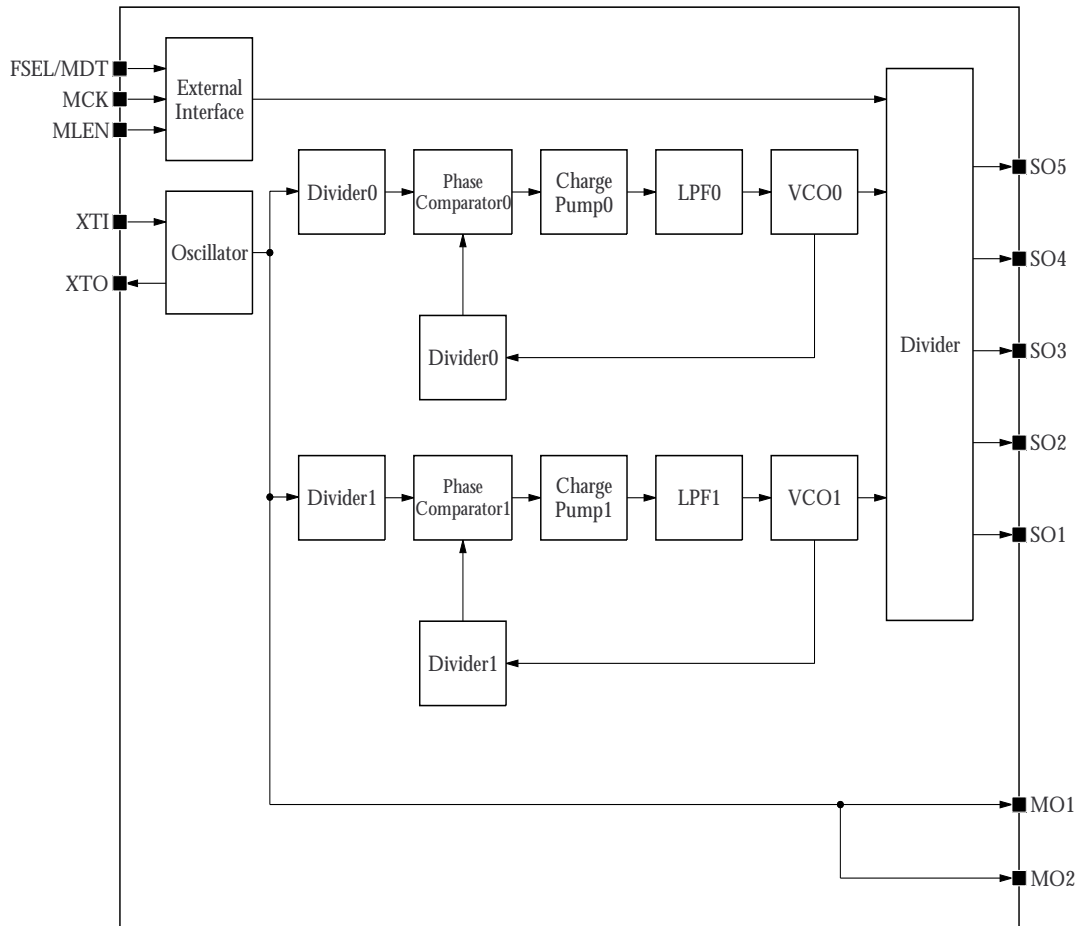


PACKAGE DIMENSIONS

(Unit: mm)



BLOCK DIAGRAM



PIN DESCRIPTION

Number	Name	I/O	Description
1	VDD	-	Power supply for Digital block
2	VSS	-	VSS for Digital block
3	MO1	O	27 MHz fixed-frequency output 1
4	MCK	Ip ¹	Serial interface bit clock input
5	MLEN	Ip ¹	Serial interface latch enable input
6	VDDA	-	Power supply for Analog block
7	VSSA	-	VSS for Analog block
8	XTI	I	Reference signal crystal oscillator element connection or external clock input
9	XTO	O	Reference signal crystal oscillator element connection
10	RSV	-	Reserved (must be open)
11	RSV	-	Reserved (must be open)
12	S01	O	33.8688 MHz fixed-frequency output
13	VSS2	-	VSS for Output buffer
14	VDD2	-	Power supply for Output buffer
15	S04	O	512fs output
16	S03	O	512fs output
17	RSV	-	Reserved (must be open)
18	VSS1	-	VSS for Output buffer
19	VDD1	-	Power supply for Output buffer
20	S02	O	384fs output
21	RSV	-	Reserved (must be open)
22	S05	O	768fs output
23	FSEL/MDT	Ip ¹	Parallel mode: Sampling frequency select signal input Serial mode: Control data input
24	MO2	O	27 MHz fixed-frequency output 2

1. Schmitt trigger input with internal pull-up resistor

SPECIFICATIONS

Absolute Maximum Ratings

Parameter	Symbol	Condition	Rating	Unit
Supply voltage range	$V_{DDA}, V_{DD}, V_{DD1}, V_{DD2}$		-0.3 to 6.5	V
Supply voltage deviation	$V_{DDA} - V_{DD}, V_{DDA} - V_{DD1}, V_{DDA} - V_{DD2}, V_{DD} - V_{DD1}, V_{DD} - V_{DD2}, V_{DD1} - V_{DD2}$		±0.1	V
Ground voltage deviation	$V_{SSA} - V_{SS}, V_{SSA} - V_{SS1}, V_{SSA} - V_{SS2}, V_{SS} - V_{SS1}, V_{SS} - V_{SS2}, V_{SS1} - V_{SS2}$		±0.1	V
Input voltage range	V_{IN}	Digital inputs	-0.3 to $V_{DD} + 0.3$	V
Output voltage range	V_{OUT}	Digital outputs	-0.3 to $V_{DD} + 0.3$	V
Power dissipation	P_D		300	mW
Storage temperature range	T_{stg}		-55 to 125	°C

Recommended Operating Conditions

Parameter	Symbol	Condition	Rating	Unit
Supply voltage ranges	$V_{DDA}, V_{DD}, V_{DD1}, V_{DD2}$		3.0 to 3.6	V
Operating temperature range	T_{opr}		-40 to 85	°C

DC Electrical Characteristics

External clock, $T_a = -40$ to 85 °C, $V_{DDA} = V_{DD} = V_{DD1} = V_{DD2} = 3.0$ to 3.6 V unless otherwise stated

Parameter	Symbol	Condition	Rating			Unit
			min	typ	max	
Current consumption	I_{DD}	All supplies. $V_{DDA} = V_{DD} = V_{DD1} = V_{DD2} = 3.3V$, $T_a = 25$ °C, $f_s = 48$ kHz, Crystal oscillator element, no load on all outputs	-	32	45	mA
HIGH-level input voltage	V_{IH}	XTI, FSEL/MDT, MCK, MLEN	$0.8 V_{DD}$	-	-	V
LOW-level input voltage	V_{IL}	XTI, FSEL/MDT, MCK, MLEN	-	-	$0.2 V_{DD}$	V
HIGH-level input current	I_{IH1}	FSEL/MDT, MCK, MLEN, $V_{IN} = V_{DD}$	-	-	1	μA
LOW-level input current	I_{IL1}	FSEL/MDT, MCK, MLEN, $V_{IN} = 0$ V	-	-	-100	μA
HIGH-level input current	I_{IH2}	XTI, $V_{IN} = V_{DD}$	-	-	40	μA
LOW-level input current	I_{IL2}	XTI, $V_{IN} = 0$ V	-	-	-40	μA
HIGH-level output voltage	V_{OH}	All outputs. $I_{OH} = -2$ mA	$V_{DD} - 0.4$	-	-	V
LOW-level output voltage	V_{OL}	All outputs. $I_{OL} = 4$ mA	-	-	0.4	V

AC Electrical Characteristics

External clock, $T_a = -40$ to 85 °C, $V_{DDA} = V_{DD} = V_{DD1} = V_{DD2} = 3.0$ to 3.6 V unless otherwise stated

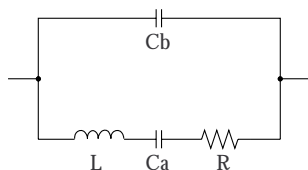
Parameter	Symbol	Condition	Rating			Unit
			min	typ	max	
XTI external input clock frequency	f_M		-	27.0000	-	MHz
Output clock rise time	t_R	All outputs, 0.2 to $0.8V_{DD}$, $C_L = 15$ pF	-	2.0	-	ns
Output clock fall time	t_F	All outputs, 0.8 to $0.2V_{DD}$, $C_L = 15$ pF	-	2.0	-	ns
Output clock jitter ¹	JITTER	All outputs, Standard tolerance, Crystal oscillator element, $C_L = 15$ pF	-	100	-	ps
Output clock duty ¹	DUTY	All outputs, Crystal oscillator element, $1.4V$ to $1.4V$, $C_L = 15$ pF	45	50	55	%
Settling time	t_S	All outputs	-	-	100	ns
Power-up time ²	t_P	All outputs	-	15	30	ms

1. $1.4V$ to $1.4V$. $T_a = 20$ °C. The characteristics of output clock jitter and output clock duty depends on crystal oscillator.

NPC's standard crystal oscillator: $R = 10.5$ Ω , $L = 5.38$ mH, $C_a = 6.74$ fF, $C_b = 1.85$ pF

measurement apparatus: HP4195

Load capacitance: $C_1 = 7$ pF, $C_2 = 11$ pF



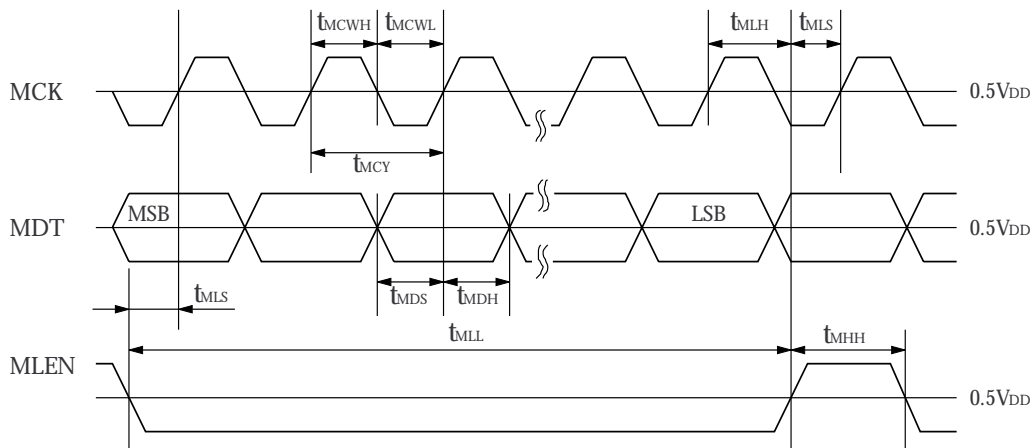
2. Time from OFF condition to stable frequency output.

Serial Interface AC Characteristics

External clock, $T_a = -40$ to 85 °C, $V_{DDA} = V_{DD} = V_{DD1} = V_{DD2} = 3.0$ to 3.6 V unless otherwise stated

Parameter	Symbol	Condition	Rating			Unit
			min	typ	max	
MCK HIGH-level pulsewidth	t_{MCWH}		40	-	-	ns
MCK LOW-level pulsewidth	t_{MCWL}		40	-	-	ns
MCK pulse cycle time	t_{MCY}		100	-	-	ns
MDT setup time	t_{MDS}		40	-	-	ns
MDT hold time	t_{MDH}		40	-	-	ns
MLEN setup time ¹	t_{MLS}		40	-	-	ns
MLEN hold time ²	t_{MLH}		40	-	-	ns
MLEN HIGH-level pulsewidth	t_{MHH}		200	-	-	ns
MLEN LOW-level pulsewidth	t_{MLL}		$16 \times t_{MCY}$	-	-	ns

1. Time from the MLEN falling edge to the next MCK rising edge. If the MCK clock stops after the LSB, the MLEN rise timing is optional.
2. Time from MCK rising edge corresponding to the LSB to the MLEN rising edge.



FUNCTIONAL DESCRIPTION

27 MHz Master Clock

The 27 MHz master clock is generated either by connecting a crystal oscillator element between XTI (pin 8) and XTO (pin 9), as shown in figure 1, or by connecting an external 27 MHz clock to XTI, as shown in figure 2. Input 27MHz master clock on XTI when using an external clock. Crystal oscillator element must be fundamental.

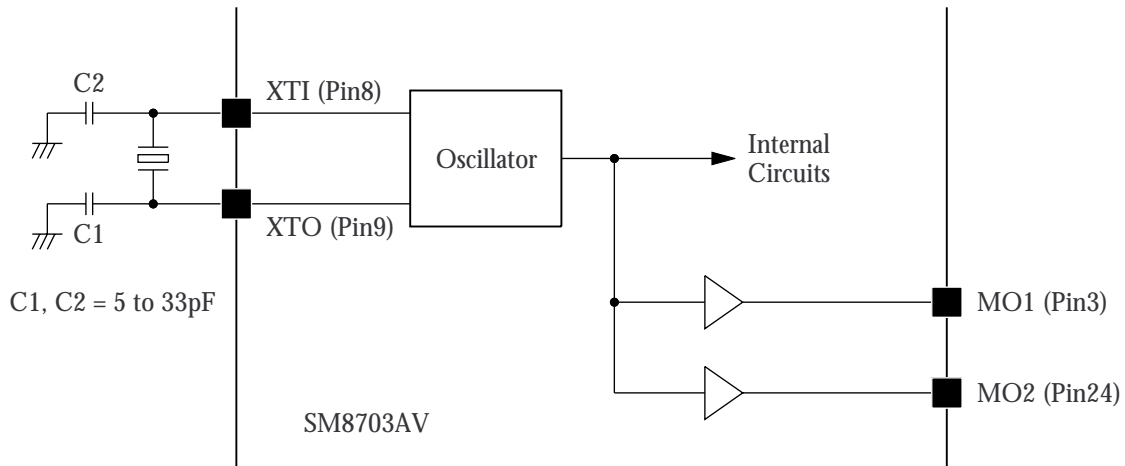


Figure 1. Crystal oscillator connection

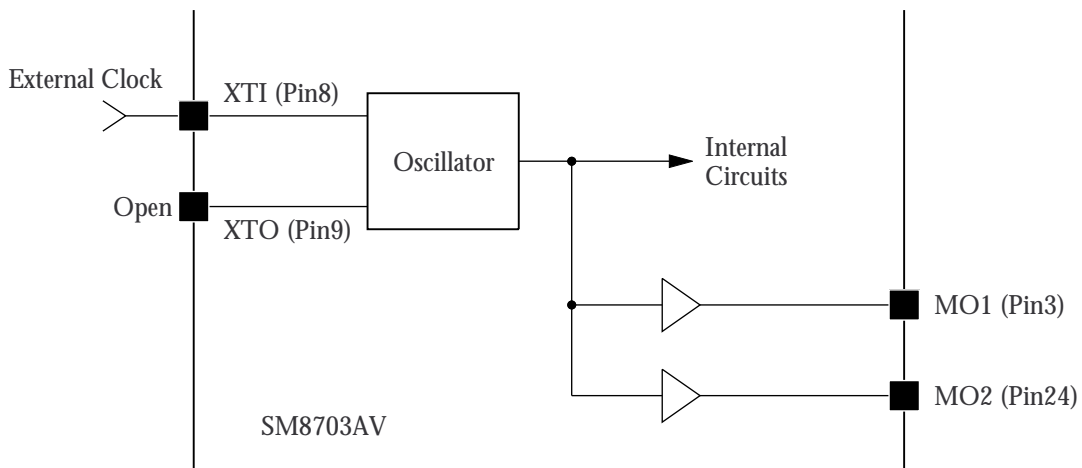


Figure 2. External clock input

Sampling Frequency and Output Clock Frequency

The SM8703AV generates several output clocks from the 27 MHz master clock, with frequencies of 384fs (SO2), 512fs (SO3, SO4) and 768fs (SO5), where fs is the sampling frequency selected by external control inputs. SO1 outputs 33.8688 MHz clock. The supported sampling frequencies are 44.1 kHz and 48 kHz, selected by the sampling frequency select pin (FSEL). The generated frequencies are shown in table 1.

Table 1. Sampling frequency and output clock frequency

FSEL	Sampling frequency fs	Output clock frequency (MHz)			
		SO1	SO2	SO3, SO4	SO5
LOW	44.1 kHz	33.8688	16.9344	22.5792	33.8688
HIGH	48 kHz	33.8688	18.4320	24.5760	36.8640

Enable/Disable control

3 wire serial interface is available by using MCK(pin4), MLEN(pin5) and MDT(pin23:FSEL common) pins as serial mode. At the serial control mode, each enable (fixed as "LOW" at disable) of output frequency can be set to stop unnecessary outputs.

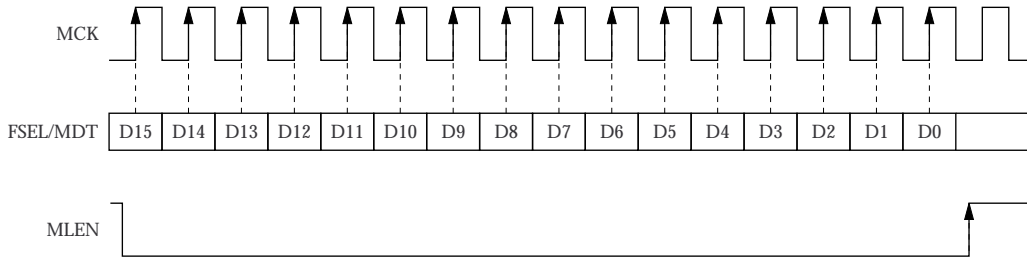
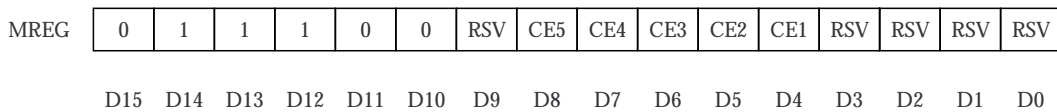


Figure 3. Serial control format

16-bit mode register (MREG) construction in Figure 4. The name and function of each bit are shown in Table 2 and 3. Set the mode-resister D15-D10 as "011100" in the serial control.



Note: RSV is fixed as LOW.

Figure 4. Mode register construction

Table 2. Mode register function

Bit	Name	Function
D9	RSV	Must be "LOW"
D8	CE5	M01, M02 output enable/disable
D7	CE4	S05 output enable/disable
D6	CE3	S03, S04 output enable/disable
D5	CE2	S02 output enable/disable
D4	CE1	S01 output enable/disable
D3/D2/D1/D0	RSV	Must be "LOW"

Table 3. Clock output control settings(CE5 to 1)

CE5 to CE1	Clock output
LOW	Disable (Output fixed as "LOW")
HIGH	Enable (Default)

Note

Output frequency changes according to the MDT pin condition, as MDT and FSEL pin (Sampling frequency select signal input) are common. Refer to the section “Settling Time (when the sampling frequency is changed)”.

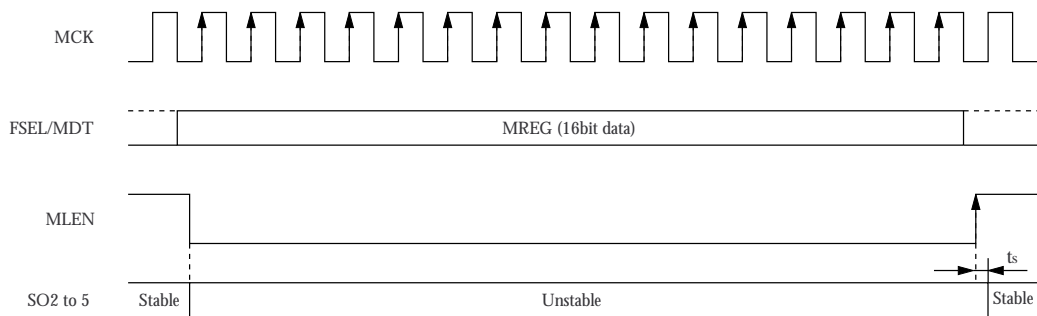


Figure 5. Serial transfer timing

Settling Time (when the sampling frequency is changed)

The output response when the frequency is changed is shown in figure 6.

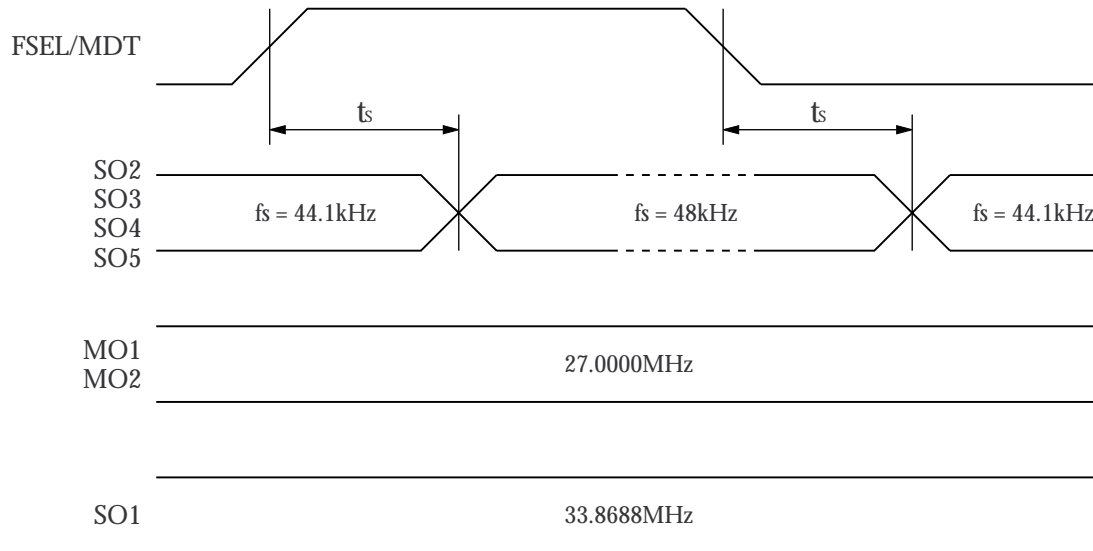
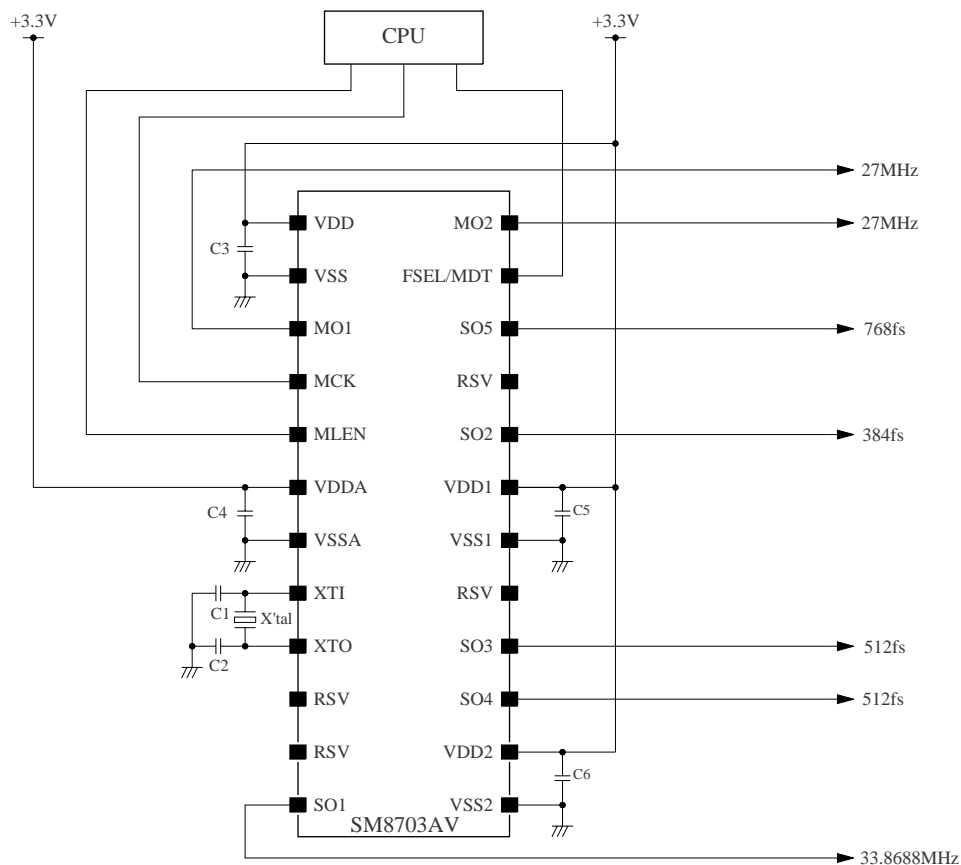


Figure 6. System clock transient timing

TYPICAL APPLICATION



- Connect the decoupling capacitors (approximately 0.1 μ F and 1000pF) in parallel, as close to power supply pins as possible.
 - In order to minimize noise, it is useful to make VSS as solid pattern.
 - Master clock stability affects the other outputs stability. In the usage of crystal oscillator, load capacitor and crystal oscillator should be placed as close to the SM8703AV as possible, and wired shortly. Select crystal oscillators and load capacitance carefully, depending on the condition, as those combination will have influence on the frequency accuracy(C1, C2).
 - Supply pattern including decoupling capacitors needs careful attention to make the IC's performance better, since the SM8703AV outputs several high frequency clocks. Pattern capacitance from output pins should not to be large for prevention of the noise. Connecting output pins to buffers is useful if it is necessary.
- Power supply and VSS pins.
 - VDD : Power supply for digital block (CPU I/F*, MO1, MO2)
 - VSS : VSS for digital block (CPU I/F*, MO1, MO2)
 - VDDA : Power supply for PLL block (XTI, XTO, PLL/VCO)
 - VSSA : VSS for PLL block (XTI, XTO, PLL/VCO)
 - VDD1 : Power supply for output block (except SO1)
 - VSS1 : VSS for output block (except SO1)
 - VDD2 : Power supply for SO1
 - VSS2 : VSS for SO1
- *: CPU I/F: FSEL/MDT, MLEN, MCK

NIPPON PRECISION CIRCUITS INC. reserves the right to make changes to the products described in this data sheet in order to improve the design or performance and to supply the best possible products. Nippon Precision Circuits Inc. assumes no responsibility for the use of any circuits shown in this data sheet, conveys no license under any patent or other rights, and makes no claim that the circuits are free from patent infringement. Applications for any devices shown in this data sheet are for illustration only and Nippon Precision Circuits Inc. makes no claim or warranty that such applications will be suitable for the use specified without further testing or modification. The products described in this data sheet are not intended to use for the apparatus which influence human lives due to the failure or malfunction of the products. Customers are requested to comply with applicable laws and regulations in effect now and hereinafter, including compliance with export controls on the distribution or dissemination of the products. Customers shall not export, directly or indirectly, any products without first obtaining required licenses and approvals from appropriate government agencies.



NIPPON PRECISION CIRCUITS INC.

4-3, Fukuzumi 2-chome
Koto-ku, Tokyo 135-8430, Japan
Telephone: 03-3642-6661
Facsimile: 03-3642-6698

NC9902AE 2000.03