

54ABT16500

18-Bit Universal Bus Transceivers with TRI-STATE® Outputs

General Description

These 18-bit universal bus transceivers combine D-type latches and D-type flip-flops to allow data flow in transparent, latched, and clocked modes.

Data flow in each direction is controlled by output-enable (\overline{OEAB} and \overline{OEBA}), latch-enable (LEAB and LEBA), and clock (\overline{CLKAB} and \overline{CLKBA}) inputs. For A-to-B data flow, the device operates in the transparent mode when LEAB is high. When LEAB is low, the A data is latched if \overline{CLKAB} is held at a high or low logic level. If LEAB is low, the A bus data is stored in the latch/flip-flop on the high-to-low transition of \overline{CLKAB} . Output-enable OEAB is active-high. When OEAB is high, the outputs are active. When OEAB is low, the outputs are in the high-impedance state.

Data flow for B to A is similar to that of A to B but uses \overline{OEBA} , LEBA, and \overline{CLKBA} . The output enables are complementary (OEAB is active high and \overline{OEBA} is active low).

To ensure the high-impedance state during power up or power down, OE should be tied to GND through a pull-down resistor; the minimum value of the resistor is determined by the current-sourcing capability of the driver.

Features

- Combines D-Type latches and D-Type flip-flops for operation in transparent, latched, or clocked mode
- Flow-through architecture optimizes PCB layout
- Guaranteed latch-up protection
- High impedance glitch free bus loading during entire power up and power down cycle
- Non-destructive hot insertion capability
- Standard Microcircuit Drawing (SMD) 5962-9687001

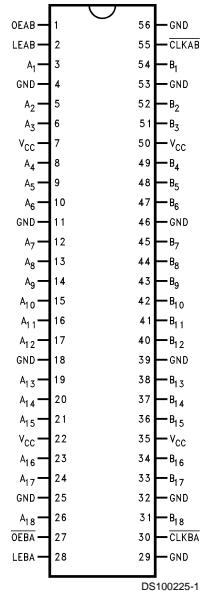
Ordering Code

Military	Package Number	Package Description
54ABT16500W-QML	WA56A	56-Lead Cerpack

TRI-STATE® is a registered trademark of National Semiconductor Corporation.

Connection Diagram

Pin Assignment for Cerpack



Function Table (Note 1)

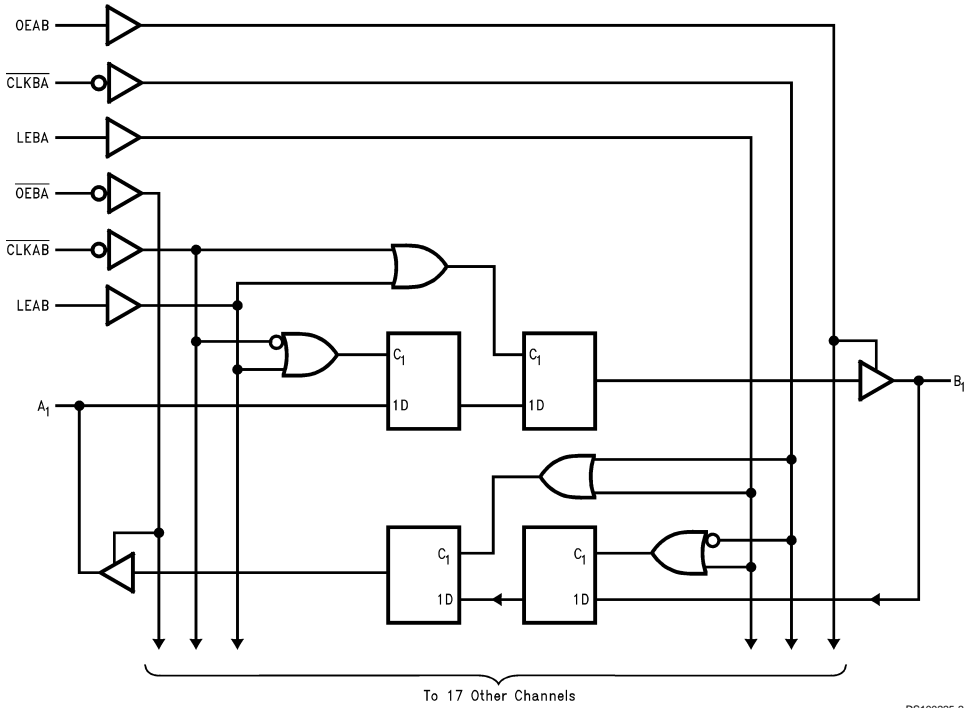
Inputs				Output
OEAB	LEAB	CLKAB	A	B
L	X	X	X	Z
H	H	X	L	L
H	H	X	H	H
H	L	↓	L	L
H	L	↓	H	H
H	L	H	X	B ₀ (Note 2)
H	L	L	X	B ₀ (Note 3)

Note 1: A-to-B data flow is shown; B-to-A flow is similar but uses OEBA, LEBA, and CLKBA.

Note 2: Output level before the indicated steady-state input conditions were established.

Note 3: Output level before the indicated steady-state input conditions were established, provided that CLKAB was low before LEAB went low.

Logic Diagram



DS100225-2

Absolute Maximum Ratings (Note 4)

Storage Temperature	-65°C to +150°C
Ambient Temperature under Bias	-55°C to +125°C
Junction Temperature under Bias Ceramic	-55°C to +175°C
V _{CC} Pin Potential to Ground Pin	-0.5V to +7.0V
Input Voltage (Note 4)	-0.5V to +7.0V
Input Current (Note 4)	-30 mA to +5.0 mA
Voltage Applied to Any Output in the Disabled or Power-off State in the HIGH State	-0.5V to 5.5V -0.5V to V _{CC}
Current Applied to Output in LOW State (Max)	twice the rated I _{OL} (mA)
DC Latchup Source Current	-500 mA

Over Voltage Latchup (I/O)

10V

Recommended Operating Conditions

Free Air Ambient Temperature Military	-55°C to +125°C
Supply Voltage Military	+4.5V to +5.5V
Minimum Input Edge Rate Data Input	($\Delta V/\Delta t$) 50 mV/ns
Enable Input	20 mV/ns

Note 4: Absolute maximum ratings are values beyond which the device may be damaged or have its useful life impaired. Functional operation under these conditions is not implied.

Note 5: Either voltage limit or current limit is sufficient to protect inputs.

DC Electrical Characteristics

Symbol	Parameter	ABT16500			Units	V _{CC}	Conditions
		Min	Typ	Max			
V _{IH}	Input HIGH Voltage	2.0			V		Recognized HIGH Signal
V _{IL}	Input LOW Voltage	0.8			V		Recognized LOW Signal
V _{CD}	Input Clamp Diode Voltage	-1.2			V	Min	I _{IN} = -18 mA
V _{OH}	Output HIGH Voltage	54ABT	2.5		V	Min	I _{OH} = -3 mA
		54ABT	2.0		V	Min	I _{OH} = -24 mA
V _{OL}	Output LOW Voltage	54ABT	0.55		V	Min	I _{OL} = 48 mA
I _{IH}	Input HIGH Current	5			μA	Max	V _{IN} = 2.7V (Note 6)
		5					V _{IN} = V _{CC}
I _{BVI}	Input HIGH Current Breakdown Test	7			μA	Max	V _{IN} = 7.0V
I _{IL}	Input LOW Current	-5			μA	Max	V _{IN} = 0.5V (Note 6)
		-5					V _{IN} = 0.0V
V _{ID}	Input Leakage Test	4.75			V	0.0	I _{ID} = 1.9 μA All Other Pins Grounded
I _{IH} + I _{OZH}	Output Leakage Current	50			μA	0 - 5.5V	V _{OUT} = 2.7V; \overline{OE} , OE = 2.0V
I _{IL} + I _{OZL}	Output Leakage Current	-50			μA	0 - 5.5V	V _{OUT} = 0.5V; \overline{OE} , OE = 2.0V
I _{OS}	Output Short-Circuit Current	-100	-275		mA	Max	V _{OUT} = 0V
I _{CEX}	Output High Leakage Current	50			μA	Max	V _{OUT} = V _{CC}
I _{ZZ}	Bus Drainage Test	100			μA	0.0	V _{OUT} = 5.5V; All Others GND
I _{CCH}	Power Supply Current	1.0			mA	Max	All Outputs HIGH
I _{CCL}	Power Supply Current	68			μA	Max	An or Bn Outputs Low
I _{CCZ}	Power Supply Current	1.0			mA	Max	$\overline{OE}_n = V_{CC}$, All Others at V _{CC} or GND
I _{CCT}	Additional I _{CC} /Input	2.5			mA	Max	V _I = V _{CC} - 2.1V All Others at V _{CC} or GND
I _{CCD}	Dynamic I _{CC} (Note 6)	No Load	0.23		mA/ MHz	Max	Outputs Open Transparent Mode One Bit Toggling, 50% Duty Cycle

Note 6: Guaranteed, but not tested.

DC Electrical Characteristics

Symbol	Parameter	Min	Max	Units	V _{CC}	Conditions C _L = 50 pF; R _L = 500Ω
V _{OLP}	Quiet Output Maximum Dynamic V _{OL}		1.1	V	5.0	T _A = 25°C (Note 7)
V _{OLV}	Quiet Output Minimum Dynamic V _{OL}		-1.7	V	5.0	T _A = 25°C (Note 7)

Note 7: Max number of outputs defined as (n), n – 1 data inputs are driven 0V to 3V. One output at LOW. Guaranteed, but not tested.

AC Electrical Characteristics

Symbol	Parameter	54ABT		Units	Fig. No.
		T _A = -55°C to +125°C V _{CC} = 4.5V–5.5V C _L = 50 pF			
		Min	Max		
f _{max}	Maximum Clock Frequency	150		MHz	
t _{PLH}	Propagation Delay A or B to B or A	1.0	6.5	ns	Figure 4
t _{PHL}	Propagation Delay LEAB or LEBA to B or A	1.0	7.0	ns	Figure 4
t _{PLH}	Propagation Delay A to B or A	1.0	7.0	ns	Figure 4
t _{PHL}	Propagation Delay LEAB or LEBA to B or A	1.0	7.8	ns	Figure 4
t _{PLH}	Propagation Delay CLKAB or CLKBA to B or A	1.0	7.5	ns	Figure 4
t _{PHL}	Propagation Delay CLKAB or CLKBA to B or A	1.0	8.0	ns	Figure 4
t _{PZH}	Propagation Delay OEAB or OEBA to B or A	1.0	6.3	ns	Figure 6
t _{PZL}	Propagation Delay OEAB or OEBA to B or A	1.0	6.5	ns	Figure 6
t _{PHZ}	Propagation Delay OEAB or OEBA to B or A	1.0	7.2	ns	Figure 6
t _{PLZ}	Propagation Delay OEAB or OEBA to B or A	1.0	6.8	ns	Figure 6

AC Operating Requirements

Symbol	Parameter	54ABT		Units	Fig. No.
		T _A = -55°C to +125°C V _{CC} = 4.5V–5.5V C _L = 50 pF			
		Min	Max		
t _s (H)	Setup Time, A to CLKAB	4.5		ns	Figure 7
t _s (L)	Setup Time, A to CLKAB	4.5		ns	Figure 7
t _h (H)	Hold Time, A to CLKAB	0		ns	Figure 7
t _h (L)	Hold Time, A to CLKAB	0		ns	Figure 7
t _s (H)	Setup Time, B to CLKBA	4.0		ns	Figure 7
t _s (L)	Setup Time, B to CLKBA	4.0		ns	Figure 7
t _h (H)	Hold Time, B to CLKBA	0		ns	Figure 7
t _h (L)	Hold Time, B to CLKBA	0		ns	Figure 7
t _s (H)	Setup Time, A to LEAB or B to LEBA, CLK High	1.5		ns	Figure 7
t _s (L)	Setup Time, A to LEAB or B to LEBA, CLK High	1.5		ns	Figure 7
t _h (H)	Hold Time, A to LEAB or B to LEBA, CLK High	1.5		ns	Figure 7
t _h (L)	Hold Time, A to LEAB or B to LEBA, CLK High	1.5		ns	Figure 7
t _s (H)	Setup Time, A to LEAB or B to LEBA, CLK Low	4.5		ns	Figure 7
t _s (L)	Setup Time, A to LEAB or B to LEBA, CLK Low	4.5		ns	Figure 7
t _h (H)	Hold Time, A to LEAB or B to LEBA, CLK Low	1.5		ns	Figure 7
t _h (L)	Hold Time, A to LEAB or B to LEBA, CLK Low	1.5		ns	Figure 7
t _w (H)	Pulse Width, LEAB or LEBA, High	3.3		ns	Figure 5
t _w (L)	Pulse Width, LEAB or LEBA, High	3.3		ns	Figure 5

AC Operating Requirements (Continued)

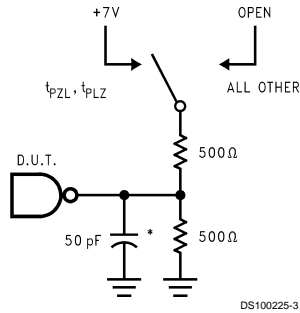
Symbol	Parameter	54ABT		Units	Fig. No.
		T _A = -55°C to +125°C V _{CC} = 4.5V-5.5V C _L = 50 pF			
		Min	Max		
t _w (H)	Pulse Width, $\overline{\text{CLKAB}}$	3.3		ns	Figure 5
t _w (L)	or $\overline{\text{CLKBA}}$, High or Low	3.3			

Capacitance

Symbol	Parameter	Typ	Units	Conditions, T _A = 25°C
C _{IN}	Input Capacitance	5.0	pF	V _{CC} = 0.0V
C _{I/O} (Note 8)	Output Capacitance	11.0	pF	V _{CC} = 5.0V

Note 8: C_{I/O} is measured at frequency f = 1 MHz per MIL-STD-883B, Method 3012.

AC Loading



*Includes jig and probe capacitance.

FIGURE 1. Standard AC Test Load

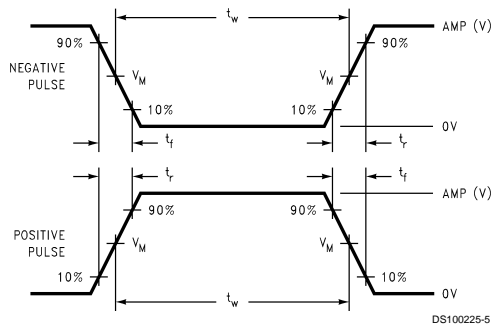


FIGURE 2. $V_M = 1.5V$

Input Pulse Requirements

Amplitude	Rep. Rate	t_w	t_r	t_f
3.0V	1 MHz	500 ns	2.5 ns	2.5 ns

FIGURE 3. Test Input Signal Requirements

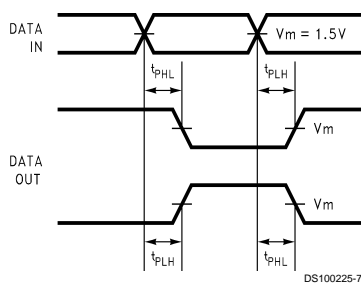


FIGURE 4. Propagation Delay Waveforms for Inverting and Non-Inverting Functions

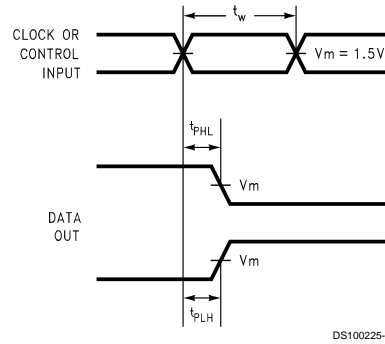


FIGURE 5. Propagation Delay, Pulse Width Waveforms

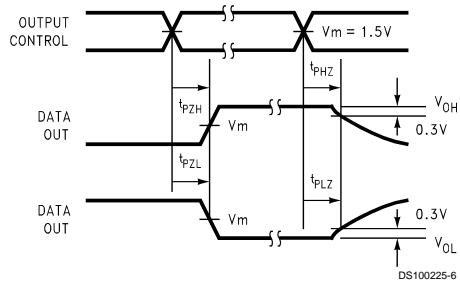


FIGURE 6. TRI-STATE Output HIGH and LOW Enable and Disable Times

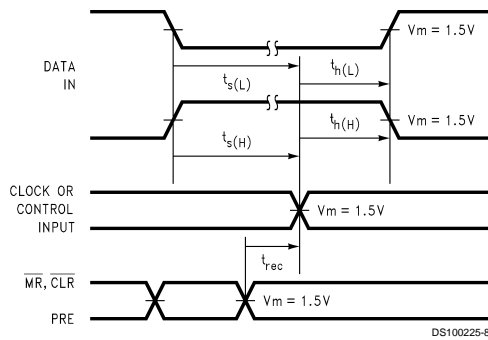
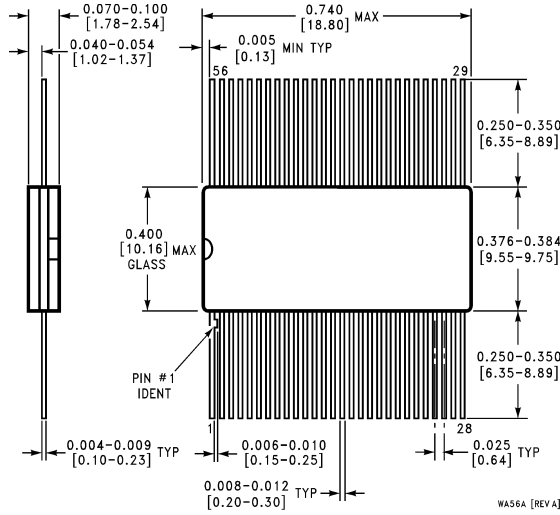


FIGURE 7. Setup Time, Hold Time and Recovery Time Waveforms

Physical Dimensions inches (millimeters) unless otherwise noted



56-Lead Cerpack
NS Package Number WA56A

LIFE SUPPORT POLICY

NATIONAL'S PRODUCTS ARE NOT AUTHORIZED FOR USE AS CRITICAL COMPONENTS IN LIFE SUPPORT DEVICES OR SYSTEMS WITHOUT THE EXPRESS WRITTEN APPROVAL OF THE PRESIDENT OF NATIONAL SEMICONDUCTOR CORPORATION. As used herein:

1. Life support devices or systems are devices or systems which, (a) are intended for surgical implant into the body, or (b) support or sustain life, and whose failure to perform when properly used in accordance with instructions for use provided in the labeling, can be reasonably expected to result in a significant injury to the user.
2. A critical component in any component of a life support device or system whose failure to perform can be reasonably expected to cause the failure of the life support device or system, or to affect its safety or effectiveness.



National Semiconductor Corporation
Americas
Tel: 1-800-272-9959
Fax: 1-800-737-7018
Email: support@nsc.com

National Semiconductor Europe
Fax: +49 (0) 1 80-530 85 86
Email: europe.support@nsc.com
Deutsch Tel: +49 (0) 1 80-530 85 85
English Tel: +49 (0) 1 80-532 78 32
Français Tel: +49 (0) 1 80-532 93 58
Italiano Tel: +49 (0) 1 80-534 16 80

National Semiconductor Asia Pacific Customer Response Group
Tel: 65-2544466
Fax: 65-2504466
Email: sea.support@nsc.com

National Semiconductor Japan Ltd.
Tel: 81-3-5620-6175
Fax: 81-3-5620-6179

www.national.com

National does not assume any responsibility for use of any circuitry described, no circuit patent licenses are implied and National reserves the right at any time without notice to change said circuitry and specifications.