

## COP688CL/COP684CL, COP888CL/COP884CL, COP988CL/COP984CL 8-Bit Microcontroller

### General Description

The COP888 family of microcontrollers uses an 8-bit single chip core architecture fabricated with National Semiconductor's M<sup>2</sup>CMOS™ process technology. The COP888CL is a member of this expandable 8-bit core processor family of microcontrollers. (Continued)

### Key Features

- Two 16-bit timers, each with two 16-bit registers supporting:
  - Processor Independent PWM mode
  - External Event counter mode
  - Input Capture mode
- 4 kbytes of on-chip ROM
- 128 bytes of on-chip RAM

### Additional Peripheral Features

- Idle Timer
- Multi-input Wake Up (MIWU) with optional interrupts (8)
- WATCHDOG™ and Clock Monitor logic
- MICROWIRE/PLUS™ serial I/O

### I/O Features

- Memory mapped I/O
- Software selectable I/O options (TRI-STATE® Output, Push-Pull Output, Weak Pull-Up Input, High Impedance Input)
- High current outputs
- Schmitt trigger inputs on port G

- Packages:
  - 44 PLCC with 40 I/O pins
  - 40 DIP with 36 I/O pins
  - 28 DIP with 24 I/O pins
  - 28 SO with 24 I/O pins

### CPU/Instruction Set Feature

- 1  $\mu$ s instruction cycle time
- Ten multi-source vectored interrupts servicing
  - External Interrupt with selectable edge
  - Idle Timer T0
  - Timers (Each with 2 interrupts)
  - MICROWIRE/PLUS
  - Multi-Input Wake Up
  - Software Trap
  - Default VIS (default interrupt)
- Versatile and easy to use instruction set
- 8-bit Stack Pointer (SP)—stack in RAM
- Two 8-bit Register Indirect Data Memory Pointers (B, X)

### Fully Static CMOS

- Low current drain (typically < 1  $\mu$ A)
- Single supply operation: 2.5V to 6.0V
- Temperature ranges: 0°C to +70°C, -40°C to +85°C, -55°C to +125°C

### Development Support

- Emulation and OTP devices
- Real time emulation and full program debug offered by MetaLink Development System

COP688CL/COP684CL, COP888CL/COP884CL,  
COP988CL/COP984CL 8-Bit Microcontroller

### Block Diagram

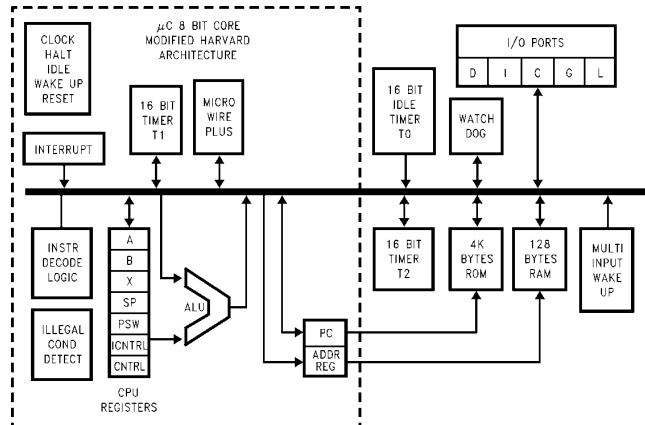


FIGURE 1. Block Diagram

TL/DD/9766-1

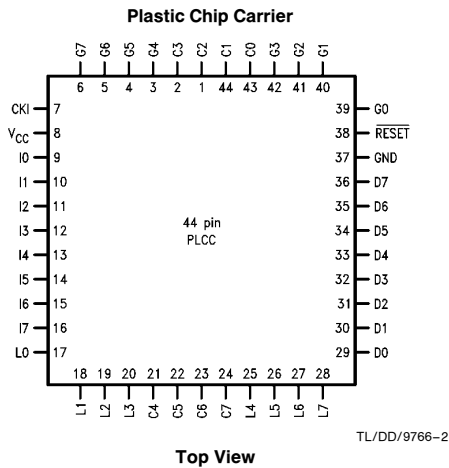
TRI-STATE® is a registered trademark of National Semiconductor Corporation. MICROWIRE/PLUS™, M<sup>2</sup>CMOS™, COP8™ microcontrollers, WATCHDOG™ and MICROWIRE™ are trademarks of National Semiconductor Corporation. iceMASTER™ is a trademark of MetaLink Corporation.

## General Description (Continued)

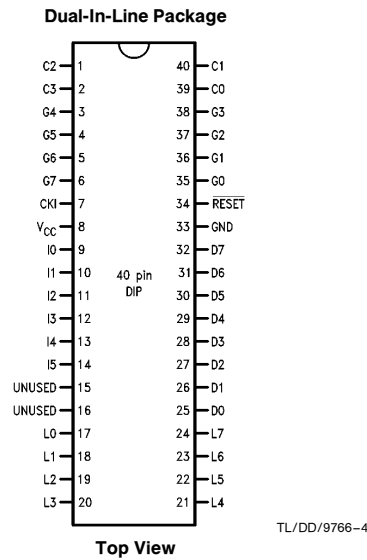
It is a fully static part, fabricated using double-metal silicon gate microCMOS technology. Features include an 8-bit memory mapped architecture, MICROWIRE/PLUS serial I/O, two 16-bit timer/counters supporting three modes (Processor Independent PWM generation, External Event counter, and Input Capture mode capabilities), and two power savings modes (HALT and IDLE), both with a multi-

sourced wakeup/interrupt capability. This multi-sourced interrupt capability may also be used independent of the HALT or IDLE modes. Each I/O pin has software selectable configurations. The device operates over a voltage range of 2.5V to 6V. High throughput is achieved with an efficient, regular instruction set operating at a maximum of 1  $\mu$ s per instruction rate.

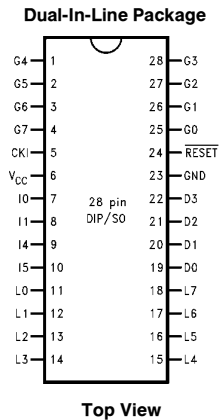
## Connection Diagrams



**Top View**  
**Order Number COP688CL-XXX/V, COP888CL-XXX/V,**  
**COP988CL-XXX/V or COP988CLH-XXX/V**  
**See NS Plastic Chip Package Number V44A**



**Top View**  
**Order Number COP688CL-XXX/N, COP888CL-XXX/N,**  
**COP988CL-XXX/N or COP988CLH-XXX/N**  
**See NS Molded Package Number N40A**



**Top View**  
**Order Number COP688CL-XXX/N, COP884CL-XXX/N,**  
**COP984CL-XXX/N or COP984CLH-XXX/N**  
**See NS Molded Package Number N28B**

**Order Number COP684CL-XXX/WM,**  
**COP884CL-XXX/WM, COP984CL-XXX/WM,**  
**or COP984CLHXXX/WM**  
**See NS Surface Mount Package Number M28B**

**FIGURE 2. Connection Diagrams**

## Connection Diagrams (Continued)

Pinouts for 28-, 40- and 44-Pin Packages

| Port    | Type  | Alt. Fun        | Alt. Fun | 28-Pin Pack. | 40-Pin Pack. | 44-Pin Pack. |
|---------|-------|-----------------|----------|--------------|--------------|--------------|
| L0      | I/O   | MIWU            |          | 11           | 17           | 17           |
| L1      | I/O   | MIWU            |          | 12           | 18           | 18           |
| L2      | I/O   | MIWU            |          | 13           | 19           | 19           |
| L3      | I/O   | MIWU            |          | 14           | 20           | 20           |
| L4      | I/O   | MIWU            | T2A      | 15           | 21           | 25           |
| L5      | I/O   | MIWU            | T2B      | 16           | 22           | 26           |
| L6      | I/O   | MIWU            |          | 17           | 23           | 27           |
| L7      | I/O   | MIWU            |          | 18           | 24           | 28           |
| G0      | I/O   | INT             |          | 25           | 35           | 39           |
| G1      | WDOUT |                 |          | 26           | 36           | 40           |
| G2      | I/O   | T1B             |          | 27           | 37           | 41           |
| G3      | I/O   | T1A             |          | 28           | 38           | 42           |
| G4      | I/O   | SO              |          | 1            | 3            | 3            |
| G5      | I/O   | SK              |          | 2            | 4            | 4            |
| G6      | I     | SI              |          | 3            | 5            | 5            |
| G7      | I/CKO | HALT<br>RESTART |          | 4            | 6            | 6            |
| D0      | O     |                 |          | 19           | 25           | 29           |
| D1      | O     |                 |          | 20           | 26           | 30           |
| D2      | O     |                 |          | 21           | 27           | 31           |
| D3      | O     |                 |          | 22           | 28           | 32           |
| I0      | I     |                 |          | 7            | 9            | 9            |
| I1      | I     |                 |          | 8            | 10           | 10           |
| I2      | I     |                 |          |              | 11           | 11           |
| I3      | I     |                 |          |              | 12           | 12           |
| I4      | I     |                 |          | 9            | 13           | 13           |
| I5      | I     |                 |          | 10           | 14           | 14           |
| I6      | I     |                 |          |              |              | 15           |
| I7      | I     |                 |          |              |              | 16           |
| D4      | O     |                 |          |              | 29           | 33           |
| D5      | O     |                 |          |              | 30           | 34           |
| D6      | O     |                 |          |              | 31           | 35           |
| D7      | O     |                 |          |              | 32           | 36           |
| C0      | I/O   |                 |          |              | 39           | 43           |
| C1      | I/O   |                 |          |              | 40           | 44           |
| C2      | I/O   |                 |          |              | 1            | 1            |
| C3      | I/O   |                 |          |              | 2            | 2            |
| C4      | I/O   |                 |          |              |              | 21           |
| C5      | I/O   |                 |          |              |              | 22           |
| C6      | I/O   |                 |          |              |              | 23           |
| C7      | I/O   |                 |          |              |              | 24           |
| Unused* |       |                 |          |              | 16           |              |
| Unused* |       |                 |          |              | 15           |              |
| Vcc     |       |                 |          | 6            | 8            | 8            |
| GND     |       |                 |          | 23           | 33           | 37           |
| CKI     |       |                 |          | 5            | 7            | 7            |
| RESET   |       |                 |          | 24           | 34           | 38           |

\* = On the 40-pin package Pins 15 and 16 must be connected to GND.

## Absolute Maximum Ratings

If Military/Aerospace specified devices are required, please contact the National Semiconductor Sales Office/Distributors for availability and specifications.

Supply Voltage ( $V_{CC}$ ) 7V  
 Voltage at Any Pin  $-0.3V$  to  $V_{CC} + 0.3V$   
 Total Current into  $V_{CC}$  Pin (Source) 100 mA

Total Current out of GND Pin (Sink) 110 mA  
 Storage Temperature Range  $-65^{\circ}C$  to  $+140^{\circ}C$

Note: Absolute maximum ratings indicate limits beyond which damage to the device may occur. DC and AC electrical specifications are not ensured when operating the device at absolute maximum ratings.

## DC Electrical Characteristics

COP98XCL:  $0^{\circ}C \leq T_A \leq +70^{\circ}C$  unless otherwise specified

| Parameter                             | Conditions                     | Min          | Typ    | Max           | Units   |
|---------------------------------------|--------------------------------|--------------|--------|---------------|---------|
| Operating Voltage                     |                                |              |        |               |         |
| COP98XCL                              |                                | 2.5          |        | 4.0           | V       |
| COP98XCLH                             |                                | 4.0          |        | 6.0           | V       |
| Power Supply Ripple (Note 1)          | Peak-to-Peak                   |              |        | $0.1 V_{CC}$  | V       |
| Supply Current (Note 2)               |                                |              |        |               |         |
| CKI = 10 MHz                          | $V_{CC} = 6V, t_c = 1 \mu s$   |              |        | 12.5          | mA      |
| CKI = 4 MHz                           | $V_{CC} = 4V, t_c = 2.5 \mu s$ |              |        | 2.5           | mA      |
| HALT Current (Note 3)                 |                                |              |        |               |         |
|                                       | $V_{CC} = 6V, CKI = 0$ MHz     |              | $<0.7$ | 8             | $\mu A$ |
|                                       | $V_{CC} = 4V, CKI = 0$ MHz     |              | $<0.4$ | 5             | $\mu A$ |
| IDLE Current                          |                                |              |        |               |         |
| CKI = 10 MHz                          | $V_{CC} = 6V, t_c = 1 \mu s$   |              |        | 3.5           | mA      |
| Input Levels                          |                                |              |        |               |         |
| RESET                                 |                                |              |        |               |         |
| Logic High                            |                                | $0.8 V_{CC}$ |        |               | V       |
| Logic Low                             |                                |              |        | $0.2 V_{CC}$  | V       |
| CKI (External and Crystal Osc. Modes) |                                |              |        |               |         |
| Logic High                            |                                | $0.7 V_{CC}$ |        |               | V       |
| Logic Low                             |                                |              |        | $0.2 V_{CC}$  | V       |
| All Other Inputs                      |                                |              |        |               |         |
| Logic High                            |                                | $0.7 V_{CC}$ |        |               | V       |
| Logic Low                             |                                |              |        | $0.2 V_{CC}$  | V       |
| Hi-Z Input Leakage                    | $V_{CC} = 6V$                  | -1           |        | +1            | $\mu A$ |
| Input Pullup Current                  | $V_{CC} = 6V, V_{IN} = 0V$     | -40          |        | -250          | $\mu A$ |
| G and L Port Input Hysteresis         |                                |              |        | $0.35 V_{CC}$ | V       |
| Output Current Levels                 |                                |              |        |               |         |
| D Outputs                             |                                |              |        |               |         |
| Source                                | $V_{CC} = 4V, V_{OH} = 3.3V$   | -0.4         |        |               | mA      |
|                                       | $V_{CC} = 2.5V, V_{OH} = 1.8V$ | -0.2         |        |               | mA      |
| Sink                                  | $V_{CC} = 4V, V_{OL} = 1V$     | 10           |        |               | mA      |
|                                       | $V_{CC} = 2.5V, V_{OL} = 0.4V$ | 2.0          |        |               | mA      |
| All Others                            |                                |              |        |               |         |
| Source (Weak Pull-Up Mode)            | $V_{CC} = 4V, V_{OH} = 2.7V$   | -10          |        | -100          | $\mu A$ |
|                                       | $V_{CC} = 2.5V, V_{OH} = 1.8V$ | -2.5         |        | -33           | $\mu A$ |
| Source (Push-Pull Mode)               | $V_{CC} = 4V, V_{OH} = 3.3V$   | -0.4         |        |               | mA      |
|                                       | $V_{CC} = 2.5V, V_{OH} = 1.8V$ | -0.2         |        |               | mA      |
| Sink (Push-Pull Mode)                 | $V_{CC} = 4V, V_{OL} = 0.4V$   | 1.6          |        |               | mA      |
|                                       | $V_{CC} = 2.5V, V_{OL} = 0.4V$ | 0.7          |        |               | mA      |

Note 1: Rate of voltage change must be less than 0.5 V/ms.

Note 2: Supply current is measured after running 2000 cycles with a square wave CKI input, CKO open, inputs at rails and outputs open.

Note 3: The HALT mode will stop CKI from oscillating in the RC and the Crystal configurations. Test conditions: All inputs tied to  $V_{CC}$ , L and G0-G5 configured as outputs and set high. The D port set to zero. The clock monitor is disabled.

### DC Electrical Characteristics $0^{\circ}\text{C} \leq T_A \leq +70^{\circ}\text{C}$ unless otherwise specified (Continued)

| Parameter                                      | Conditions                      | Min | Typ | Max       | Units         |
|--|---------------------------------|-----|-----|-----------|---------------|
| TRI-STATE Leakage                              | $V_{CC} = 6.0\text{V}$          | -1  |     | +1        | $\mu\text{A}$ |
| Allowable Sink/Source Current per Pin          |                                 |     |     |           |               |
| D Outputs (Sink)                               |                                 |     |     | 15        | mA            |
| All others                                     |                                 |     |     | 3         | mA            |
| Maximum Input Current without Latchup (Note 4) | $T_A = 25^{\circ}\text{C}$      |     |     | $\pm 100$ | mA            |
| RAM Retention Voltage, $V_r$                   | 500 ns Rise and Fall Time (Min) | 2   |     |           | V             |
| Input Capacitance                              |                                 |     |     | 7         | pF            |
| Load Capacitance on D2                         |                                 |     |     | 1000      | pF            |

### AC Electrical Characteristics $0^{\circ}\text{C} \leq T_A \leq +70^{\circ}\text{C}$ unless otherwise specified

| Parameter   | Conditions  | Min        | Typ | Max         | Units                          |
|---|---|------------|-----|-------------|--------------------------------|
| Instruction Cycle Time ( $t_c$ )                        |   |            |     |             |                                |
| Crystal or Resonator                                    | $4\text{V} \leq V_{CC} \leq 6\text{V}$<br>$2.5\text{V} \leq V_{CC} < 4\text{V}$ | 1<br>2.5   |     | DC<br>DC    | $\mu\text{s}$<br>$\mu\text{s}$ |
| R/C Oscillator  | $4\text{V} \leq V_{CC} \leq 6\text{V}$<br>$2.5\text{V} \leq V_{CC} < 4\text{V}$ | 3<br>7.5   |     | DC<br>DC    | $\mu\text{s}$<br>$\mu\text{s}$ |
| Inputs  |   |            |     |             |                                |
| $t_{\text{SETUP}}$                                      | $4\text{V} \leq V_{CC} \leq 6\text{V}$<br>$2.5\text{V} \leq V_{CC} < 4\text{V}$ | 200<br>500 |     |             | ns<br>ns                       |
| $t_{\text{HOLD}}$                                       | $4\text{V} \leq V_{CC} \leq 6\text{V}$<br>$2.5\text{V} \leq V_{CC} < 4\text{V}$ | 60<br>150  |     |             | ns<br>ns                       |
| Output Propagation Delay (Note 5)                       | $R_L = 2.2\text{k}, C_L = 100\text{ pF}$  |            |     |             |                                |
| $t_{\text{PD1}}, t_{\text{PD0}}$<br>SO, SK              | $4\text{V} \leq V_{CC} \leq 6\text{V}$<br>$2.5\text{V} \leq V_{CC} < 4\text{V}$ |            |     | 0.7<br>1.75 | $\mu\text{s}$<br>$\mu\text{s}$ |
| All Others  | $4\text{V} \leq V_{CC} \leq 6\text{V}$<br>$2.5\text{V} \leq V_{CC} < 4\text{V}$ |            |     | 1<br>2.5    | $\mu\text{s}$<br>$\mu\text{s}$ |
| MICROWIRE™ Setup Time ( $t_{\text{UWS}}$ )              |   | 20         |     |             | ns                             |
| MICROWIRE Hold Time ( $t_{\text{UWH}}$ )                |   | 56         |     |             | ns                             |
| MICROWIRE Output Propagation Delay ( $t_{\text{UPD}}$ ) |   |            |     | 220         | ns                             |
| Input Pulse Width                                       |   |            |     |             |                                |
| Interrupt Input High Time                               |   | 1          |     |             | $t_c$                          |
| Interrupt Input Low Time                                |   | 1          |     |             | $t_c$                          |
| Timer Input High Time                                   |   | 1          |     |             | $t_c$                          |
| Timer Input Low Time                                    |   | 1          |     |             | $t_c$                          |
| Reset Pulse Width                                       |   | 1          |     |             | $\mu\text{s}$                  |

**Note 4:** Pins G6 and  $\overline{\text{RESET}}$  are designed with a high voltage input network for factory testing. These pins allow input voltages greater than  $V_{CC}$  and the pins will have sink current to  $V_{CC}$  when biased at voltages greater than  $V_{CC}$  (the pins do not have source current when biased at a voltage below  $V_{CC}$ ). The effective resistance to  $V_{CC}$  is  $750\Omega$  (typical). These two pins will not latch up. The voltage at the pins must be limited to less than 14V.

**Note 5:** The output propagation delay is referenced to the end of the instruction cycle where the output change occurs.

## Absolute Maximum Ratings

If Military/Aerospace specified devices are required, please contact the National Semiconductor Sales Office/Distributors for availability and specifications.

Supply Voltage ( $V_{CC}$ ) 7V  
 Voltage at Any Pin  $-0.3V$  to  $V_{CC} + 0.3V$   
 Total Current into  $V_{CC}$  Pin (Source) 100 mA

Total Current out of GND Pin (Sink) 110 mA  
 Storage Temperature Range  $-65^{\circ}C$  to  $+140^{\circ}C$

Note: Absolute maximum ratings indicate limits beyond which damage to the device may occur. DC and AC electrical specifications are not ensured when operating the device at absolute maximum ratings.

## DC Electrical Characteristics COP88XCL: $-40^{\circ}C \leq T_A \leq +85^{\circ}C$ unless otherwise specified

| Parameter                             | Conditions                     | Min          | Typ | Max           | Units   |
|---------------------------------------|--------------------------------|--------------|-----|---------------|---------|
| Operating Voltage                     |                                | 2.5          |     | 6             | V       |
| Power Supply Ripple (Note 1)          | Peak-to-Peak                   |              |     | $0.1 V_{CC}$  | V       |
| Supply Current (Note 2)               |                                |              |     |               |         |
| CKI = 10 MHz                          | $V_{CC} = 6V, t_c = 1 \mu s$   |              |     | 12.5          | mA      |
| CKI = 4 MHz                           | $V_{CC} = 4V, t_c = 2.5 \mu s$ |              |     | 2.5           | mA      |
| HALT Current (Note 3)                 | $V_{CC} = 6V, CKI = 0$ MHz     |              | <1  | 10            | $\mu A$ |
| IDLE Current                          |                                |              |     |               |         |
| CKI = 10 MHz                          | $V_{CC} = 6V, t_c = 1 \mu s$   |              |     | 3.5           | mA      |
| Input Levels                          |                                |              |     |               |         |
| RESET                                 |                                |              |     |               |         |
| Logic High                            |                                | $0.8 V_{CC}$ |     |               | V       |
| Logic Low                             |                                |              |     | $0.2 V_{CC}$  | V       |
| CKI (External and Crystal Osc. Modes) |                                |              |     |               |         |
| Logic High                            |                                | $0.7 V_{CC}$ |     |               | V       |
| Logic Low                             |                                |              |     | $0.2 V_{CC}$  | V       |
| All Other Inputs                      |                                |              |     |               |         |
| Logic High                            |                                | $0.7 V_{CC}$ |     |               | V       |
| Logic Low                             |                                |              |     | $0.2 V_{CC}$  | V       |
| Hi-Z Input Leakage                    | $V_{CC} = 6V$                  | -1           |     | +1            | $\mu A$ |
| Input Pullup Current                  | $V_{CC} = 6V, V_{IN} = 0V$     | -40          |     | -250          | $\mu A$ |
| G and L Port Input Hysteresis         |                                |              |     | $0.35 V_{CC}$ | V       |
| Output Current Levels                 |                                |              |     |               |         |
| D Outputs                             |                                |              |     |               |         |
| Source                                | $V_{CC} = 4V, V_{OH} = 3.3V$   | -0.4         |     |               | mA      |
|                                       | $V_{CC} = 2.5V, V_{OH} = 1.8V$ | -0.2         |     |               | mA      |
| Sink                                  | $V_{CC} = 4V, V_{OL} = 1V$     | 10           |     |               | mA      |
|                                       | $V_{CC} = 2.5V, V_{OL} = 0.4V$ | 2.0          |     |               | mA      |
| All Others                            |                                |              |     |               |         |
| Source (Weak Pull-Up Mode)            | $V_{CC} = 4V, V_{OH} = 2.7V$   | -10          |     | -100          | $\mu A$ |
|                                       | $V_{CC} = 2.5V, V_{OH} = 1.8V$ | -2.5         |     | -33           | $\mu A$ |
| Source (Push-Pull Mode)               | $V_{CC} = 4V, V_{OH} = 3.3V$   | -0.4         |     |               | mA      |
|                                       | $V_{CC} = 2.5V, V_{OH} = 1.8V$ | -0.2         |     |               | mA      |
| Sink (Push-Pull Mode)                 | $V_{CC} = 4V, V_{OL} = 0.4V$   | 1.6          |     |               | mA      |
|                                       | $V_{CC} = 2.5V, V_{OL} = 0.4V$ | 0.7          |     |               | mA      |
| TRI-STATE Leakage                     | $V_{CC} = 6.0V$                | -2           |     | +2            | $\mu A$ |

Note 1: Rate of voltage change must be less than 0.5 V/ms.

Note 2: Supply current is measured after running 2000 cycles with a square wave CKI input, CKO open, inputs at rails and outputs open.

Note 3: The HALT mode will stop CKI from oscillating in the RC and the Crystal configurations. Test conditions: All inputs tied to  $V_{CC}$ , L and G0-G5 configured as outputs and set high. The D port set to zero. The clock monitor is disabled.

### DC Electrical Characteristics –40°C ≤ T<sub>A</sub> ≤ +85°C unless otherwise specified (Continued)

| Parameter   | Conditions                      | Min | Typ | Max     | Units    |
|---|---------------------------------|-----|-----|---------|----------|
| Allowable Sink/Source Current per Pin<br>D Outputs (Sink)<br>All others |                                 |     |     | 15<br>3 | mA<br>mA |
| Maximum Input Current without Latchup (Note 4)                          | T <sub>A</sub> = 25°C           |     |     | ± 100   | mA       |
| RAM Retention Voltage, V <sub>r</sub>                                   | 500 ns Rise and Fall Time (Min) | 2   |     |         | V        |
| Input Capacitance   |                                 |     |     | 7       | pF       |
| Load Capacitance on D2  |                                 |     |     | 1000    | pF       |

### AC Electrical Characteristics –40°C ≤ T<sub>A</sub> ≤ +85°C unless otherwise specified

| Parameter   | Conditions   | Min                     | Typ | Max                     | Units  |
|---|--|-------------------------|-----|-------------------------|--|
| Instruction Cycle Time (t <sub>c</sub> )<br>Crystal or Resonator  | 4V ≤ V <sub>CC</sub> ≤ 6V<br>2.5V ≤ V <sub>CC</sub> < 4V   | 1<br>2.5                |     | DC<br>DC                | μs<br>μs   |
| R/C Oscillator  | 4V ≤ V <sub>CC</sub> ≤ 6V<br>2.5V ≤ V <sub>CC</sub> < 4V   | 3<br>7.5                |     | DC<br>DC                | μs<br>μs   |
| Inputs<br>t <sub>SETUP</sub><br>t <sub>HOLD</sub>   | 4V ≤ V <sub>CC</sub> ≤ 6V<br>2.5V ≤ V <sub>CC</sub> < 4V<br>4V ≤ V <sub>CC</sub> ≤ 6V<br>2.5V ≤ V <sub>CC</sub> < 4V   | 200<br>500<br>60<br>150 |     |                         | ns<br>ns<br>ns<br>ns   |
| Output Propagation Delay (Note 5)<br>t <sub>PD1</sub> , t <sub>PD0</sub><br>SO, SK<br>All Others  | R <sub>L</sub> = 2.2k, C <sub>L</sub> = 100 pF<br>4V ≤ V <sub>CC</sub> ≤ 6V<br>2.5V ≤ V <sub>CC</sub> < 4V<br>4V ≤ V <sub>CC</sub> ≤ 6V<br>2.5V ≤ V <sub>CC</sub> < 4V |                         |     | 0.7<br>1.75<br>1<br>2.5 | μs<br>μs<br>μs<br>μs   |
| MICROWIRE Setup Time (t <sub>UWS</sub> )<br>MICROWIRE Hold Time (t <sub>UWH</sub> )<br>MICROWIRE Output Propagation Delay (t <sub>UPD</sub> ) |  | 20<br>56                |     | 220                     | ns<br>ns<br>ns   |
| Input Pulse Width<br>Interrupt Input High Time<br>Interrupt Input Low Time<br>Timer Input High Time<br>Timer Input Low Time                   |  | 1<br>1<br>1<br>1        |     |                         | t <sub>c</sub><br>t <sub>c</sub><br>t <sub>c</sub><br>t <sub>c</sub> |
| Reset Pulse Width   |  | 1                       |     |                         | μs   |

**Note 4:** Pins G6 and  $\overline{\text{RESET}}$  are designed with a high voltage input network for factory testing. These pins allow input voltages greater than V<sub>CC</sub> and the pins will have sink current to V<sub>CC</sub> when biased at voltages greater than V<sub>CC</sub> (the pins do not have source current when biased at a voltage below V<sub>CC</sub>). The effective resistance to V<sub>CC</sub> is 750Ω (typical). These two pins will not latch up. The voltage at the pins must be limited to less than 14V.

**Note 5:** The output propagation delay is referenced to the end of the instruction cycle where the output change occurs.

## Electrical Specifications

### DC ELECTRICAL SPECIFICATIONS

#### COP688CL Absolute Specifications

|  |                                   |
|--|-----------------------------------|
| Supply Voltage ( $V_{CC}$ )              | 7V                                |
| Voltage at Any Pin                       | $-0.3V$ to $V_{CC} + 0.3V$        |
| Total Current into $V_{CC}$ Pin (Source) | 90 mA                             |
| Total Current out of GND Pin (Sink)      | 100 mA                            |
| Storage Temperature Range                | $-65^{\circ}C$ to $+150^{\circ}C$ |

Note: Absolute maximum ratings indicate limits beyond which damage to the device may occur. DC and AC electrical specifications are not ensured when operating the device at absolute maximum ratings.

### DC Electrical Characteristics COP68XCL: $-55^{\circ}C \leq T_A \leq +125^{\circ}C$ unless otherwise specified

| Parameter                             | Conditions                       | Min          | Typ  | Max           | Units   |
|---------------------------------------|----------------------------------|--------------|------|---------------|---------|
| Operating Voltage                     |                                  | 4.5          |      | 5.5           | V       |
| Power Supply Ripple (Note 1)          | Peak-to-Peak                     |              |      | $0.1 V_{CC}$  | V       |
| Supply Current (Note 2)               |                                  |              |      |               |         |
| CKI = 10 MHz                          | $V_{CC} = 5.5V, t_c = 1 \mu s$   |              |      | 12.5          | mA      |
| CKI = 4 MHz                           | $V_{CC} = 5.5V, t_c = 2.5 \mu s$ |              |      | 5.5           | mA      |
| HALT Current (Note 3)                 | $V_{CC} = 5.5V, CKI = 0$ MHz     |              | < 10 | 30            | $\mu A$ |
| IDLE Current                          |                                  |              |      |               |         |
| CKI = 10 MHz                          | $V_{CC} = 5.5V, t_c = 1 \mu s$   |              |      | 3.5           | mA      |
| CKI = 4 MHz                           | $V_{CC} = 5.5V, t_c = 2.5 \mu s$ |              |      | 2.5           | mA      |
| Input Levels                          |                                  |              |      |               |         |
| RESET                                 |                                  |              |      |               |         |
| Logic High                            |                                  | $0.8 V_{CC}$ |      |               | V       |
| Logic Low                             |                                  |              |      | $0.2 V_{CC}$  | V       |
| CKI (External and Crystal Osc. Modes) |                                  |              |      |               |         |
| Logic High                            |                                  | $0.7 V_{CC}$ |      |               | V       |
| Logic Low                             |                                  |              |      | $0.2 V_{CC}$  | V       |
| All Other Inputs                      |                                  |              |      |               |         |
| Logic High                            |                                  | $0.7 V_{CC}$ |      |               | V       |
| Logic Low                             |                                  |              |      | $0.2 V_{CC}$  | V       |
| Hi-Z Input Leakage                    | $V_{CC} = 5.5V$                  | -5           |      | +5            | $\mu A$ |
| Input Pullup Current                  | $V_{CC} = 5.5V, V_{IN} = 0V$     | -35          |      | -400          | $\mu A$ |
| G and L Port Input Hysteresis         |                                  |              |      | $0.35 V_{CC}$ | V       |
| Output Current Levels                 |                                  |              |      |               |         |
| D Outputs                             |                                  |              |      |               |         |
| Source                                | $V_{CC} = 4.5V, V_{OH} = 3.8V$   | -0.4         |      |               | mA      |
| Sink                                  | $V_{CC} = 4.5V, V_{OL} = 1.0V$   | 9            |      |               | mA      |
| All Others                            |                                  |              |      |               |         |
| Source (Weak Pull-Up Mode)            | $V_{CC} = 4.5V, V_{OH} = 3.8V$   | -9.0         |      | -140          | $\mu A$ |
| Source (Push-Pull Mode)               | $V_{CC} = 4.5V, V_{OH} = 3.8V$   | -0.4         |      |               | mA      |
| Sink (Push-Pull Mode)                 | $V_{CC} = 4.5V, V_{OL} = 0.4V$   | 1.4          |      |               | mA      |
| TRI-STATE Leakage                     | $V_{CC} = 5.5V$                  | -5.0         |      | +5.0          | $\mu A$ |

**Note 1:** Rate of voltage change must be less than 0.5 V/ms.

**Note 2:** Supply current is measured after running 2000 cycles with a square wave CKI input, CKO open, inputs at rails and outputs open.

**Note 3:** The HALT mode will stop CKI from oscillating in the RC and the Crystal configurations. Test conditions: All inputs tied to  $V_{CC}$ , L and G0-G5 configured as outputs and set high. The D port set to zero. The clock monitor is disabled.



## DC Electrical Characteristics –55°C ≤ T<sub>A</sub> ≤ +25°C unless otherwise specified (Continued)

| Parameter   | Conditions                      | Min | Typ | Max       | Units    |
|---|---------------------------------|-----|-----|-----------|----------|
| Allowable Sink/Source Current per Pin<br>D Outputs (Sink)<br>All others |                                 |     |     | 12<br>2.5 | mA<br>mA |
| Maximum Input Current without Latchup (Note 4)                          |                                 |     |     | 150       | mA       |
| RAM Retention Voltage, V <sub>r</sub>                                   | 500 ns Rise and Fall Time (Min) | 2.0 |     |           | V        |
| Input Capacitance   |                                 |     |     | 7         | pF       |
| Load Capacitance on D2  |                                 |     |     | 1000      | pF       |

**Note 1:** Rate of voltage change must be less than 0.5 V/ms.

**Note 2:** Supply current is measured after running 2000 cycles with a square wave CKI input, CKO open, inputs at rails and outputs open.

**Note 3:** The HALT mode will stop CKI from oscillating in the RC and the Crystal configurations. Test conditions: All inputs tied to V<sub>CC</sub>, L and G ports in the TRI-STATE mode and tied to ground, all outputs low and tied to ground. The Clock Monitor and the comparators are disabled.

## AC Specifications for COP688CL

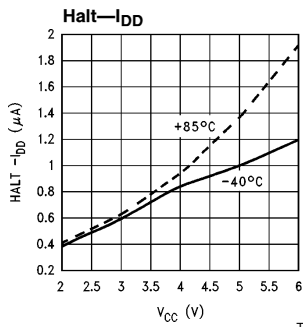
### AC Electrical Characteristics –55°C ≤ T<sub>A</sub> ≤ +125°C unless otherwise specified

| Parameter   | Conditions   | Min              | Typ | Max      | Units  |
|---|--|------------------|-----|----------|--|
| Instruction Cycle Time (t <sub>c</sub> )<br>Crystal, Resonator, or<br>External Oscillator   | V <sub>CC</sub> ≥ 4.5V   | 1                |     | DC       | μs   |
| R/C Oscillator (div-by 10)  | V <sub>CC</sub> ≥ 4.5V   | 3                |     | DC       | μs   |
| Inputs<br>t <sub>SETUP</sub><br>t <sub>HOLD</sub>   | V <sub>CC</sub> ≥ 4.5V<br>V <sub>CC</sub> ≥ 4.5V   | 200<br>60        |     |          | ns<br>ns   |
| Output Propagation Delay (Note 5)<br>t <sub>PD1</sub> , t <sub>PD0</sub><br>SO, SK<br>All Others  | R <sub>L</sub> = 2.2k, C <sub>L</sub> = 100 pF<br>V <sub>CC</sub> ≥ 4.5V<br>V <sub>CC</sub> ≥ 4.5V |                  |     | 0.7<br>1 | μs<br>μs   |
| MICROWIRE Setup Time (t <sub>UWS</sub> )<br>MICROWIRE Hold Time (t <sub>UWH</sub> )<br>MICROWIRE Output Propagation Delay (t <sub>UPD</sub> ) |  | 20<br>56         |     | 220      | ns<br>ns<br>ns   |
| Input Pulse Width<br>Interrupt Input High Time<br>Interrupt Input Low Time<br>Timer Input High Time<br>Timer Input Low Time                   |  | 1<br>1<br>1<br>1 |     |          | t <sub>c</sub><br>t <sub>c</sub><br>t <sub>c</sub><br>t <sub>c</sub> |
| Reset Pulse Width   |  | 1                |     |          | μs   |

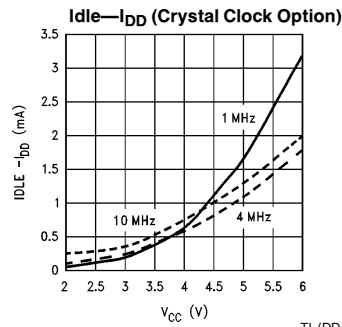
**Note 4:** Pins G6 and RESET are designed with a high voltage input network for factory testing. These pins allow input voltages greater than V<sub>CC</sub> and the pins will have sink current to V<sub>CC</sub> when biased at voltages greater than V<sub>CC</sub> (the pins do not have source current when biased at a voltage below V<sub>CC</sub>). The effective resistance to V<sub>CC</sub> is 750Ω (typical). These two pins will not latch up. The voltage at the pins must be limited to less than 14V.

**Note 5:** The output propagation delay is referenced to the end of the instruction cycle where the output change occurs.

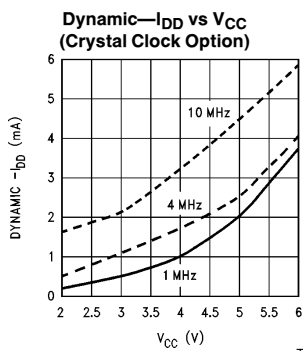
## Typical Performance Characteristics ( $-40^{\circ}\text{C} \leq T_A \leq +85^{\circ}\text{C}$ )



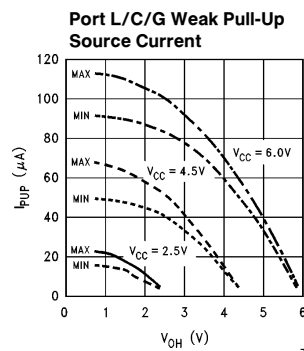
TL/DD/9766-27



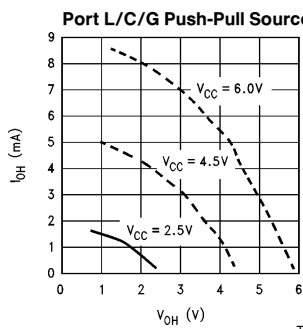
TL/DD/9766-28



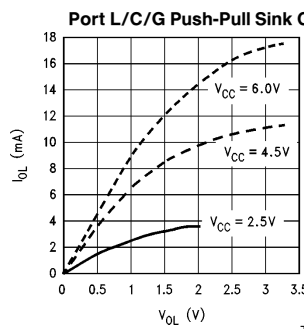
TL/DD/9766-29



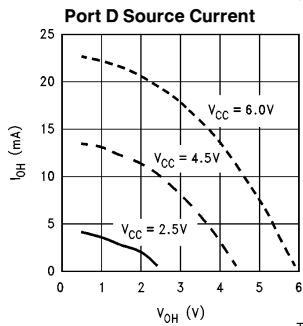
TL/DD/9766-30



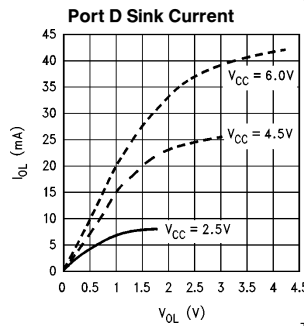
TL/DD/9766-31



TL/DD/9766-32



TL/DD/9766-33



TL/DD/9766-34

## AC Electrical Characteristics (Continued)

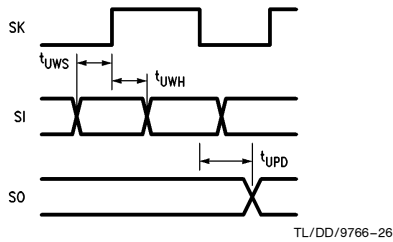


FIGURE 2. MICROWIRE/PLUS Timing

## Pin Descriptions

V<sub>CC</sub> and GND are the power supply pins.

CKI is the clock input. This can come from an R/C generated oscillator, or a crystal oscillator (in conjunction with CKO). See Oscillator Description section.

RESET is the master reset input. See Reset Description section.

The device contains three bidirectional 8-bit I/O ports (C, G and L), where each individual bit may be independently configured as an input (Schmitt trigger inputs on ports G and L), output or TRI-STATE under program control. Three data memory address locations are allocated for each of these I/O ports. Each I/O port has two associated 8-bit memory mapped registers, the CONFIGURATION register and the output DATA register. A memory mapped address is also reserved for the input pins of each I/O port. (See the memory map for the various addresses associated with the I/O ports.) Figure 3 shows the I/O port configurations. The DATA and CONFIGURATION registers allow for each port bit to be individually configured under software control as shown below:

| CONFIGURATION Register | DATA Register | Port Set-Up                   |
|------------------------|---------------|-------------------------------|
| 0                      | 0             | Hi-Z Input (TRI-STATE Output) |
| 0                      | 1             | Input with Weak Pull-Up       |
| 1                      | 0             | Push-Pull Zero Output         |
| 1                      | 1             | Push-Pull One Output          |

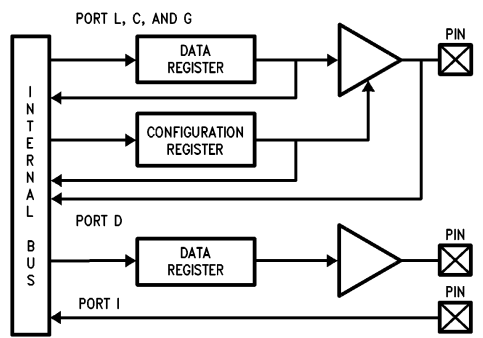


FIGURE 3. I/O Port Configurations

PORT L is an 8-bit I/O port. All L-pins have Schmitt triggers on the inputs.

Port L supports Multi-Input Wakeup (MIWU) on all eight pins. L4 and L5 are used for the timer input functions T2A and T2B.

Port L has the following alternate features:

- L0 MIWU
- L1 MIWU
- L2 MIWU
- L3 MIWU
- L4 MIWU or T2A
- L5 MIWU or T2B
- L6 MIWU
- L7 MIWU

Port G is an 8-bit port with 5 I/O pins (G0, G2–G5), an input pin (G6), and two dedicated output pins (G1 and G7). Pins G0 and G2–G6 all have Schmitt Triggers on their inputs. Pin G1 serves as the dedicated WDOUT WATCHDOG output, while pin G7 is either input or output depending on the oscillator mask option selected. With the crystal oscillator option selected, G7 serves as the dedicated output pin for the CKO clock output. With the single-pin R/C oscillator mask option selected, G7 serves as a general purpose input pin, but is also used to bring the device out of HALT mode with a low to high transition. There are two registers associated with the G Port, a data register and a configuration register. Therefore, each of the 5 I/O bits (G0, G2–G5) can be individually configured under software control.

Since G6 is an input only pin and G7 is the dedicated CKO clock output pin or general purpose input (R/C clock configuration), the associated bits in the data and configuration registers for G6 and G7 are used for special purpose functions as outlined below. Reading the G6 and G7 data bits will return zeros.

Note that the chip will be placed in the HALT mode by writing a "1" to bit 7 of the Port G Data Register. Similarly the chip will be placed in the IDLE mode by writing a "1" to bit 6 of the Port G Data Register.

Writing a "1" to bit 6 of the Port G Configuration Register enables the MICROWIRE/PLUS to operate with the alternate phase of the SK clock. The G7 configuration bit, if set high, enables the clock start up delay after HALT when the R/C clock configuration is used.

|    | Config Reg.  | Data Reg. |
|----|--------------|-----------|
| G7 | CLKDLY       | HALT      |
| G6 | Alternate SK | IDLE      |

Port G has the following alternate features:

- G0 INTR (External Interrupt Input)
- G2 T1B (Timer T1 Capture Input)
- G3 T1A (Timer T1 I/O)
- G4 SO (MICROWIRE™ Serial Data Output)
- G5 SK (MICROWIRE Serial Clock)
- G6 SI (MICROWIRE Serial Data Input)

## Pin Descriptions (Continued)

Port G has the following dedicated functions:

- G1 WDOU WATCHDOG and/or Clock Monitor dedicated output
- G7 CKO Oscillator dedicated output or general purpose input

Port C is an 8-bit I/O port. The 40-pin device does not have a full complement of Port C pins. The unavailable pins are not terminated. A read operation for these unterminated pins will return unpredictable values.

Port I is an 8-bit Hi-Z input port. The 40-pin device does not have a full complement of Port I pins. Pins 15 and 16 on this package must be connected to GND.

The 28-pin device has four I pins (I0, I1, I4, I5). The user should pay attention when reading port I to the fact that I4 and I5 are in bit positions 4 and 5 rather than 2 and 3.

The unavailable pins (I4–I7) are not terminated i.e., they are floating. A read operation for these unterminated pins will return unpredictable values. The user must ensure that the software takes into account by either masking or restricting the accesses to bit operations. The unterminated port I pins will draw power only when addressed.

Port D is an 8-bit output port that is preset high when RESET goes low. The user can tie two or more D port outputs (except D2) together in order to get a higher drive.

**Note:** Care must be exercised with the D2 pin operation. At RESET, the external loads on this pin must ensure that the output voltages stay above 0.8 V<sub>CC</sub> to prevent the chip from entering special modes. Also keep the external loading on D2 to less than 1000 pF.

## Functional Description

The architecture of the device is modified Harvard architecture. With the Harvard architecture, the control store program memory (ROM) is separated from the data store memory (RAM). Both ROM and RAM have their own separate addressing space with separate address buses. The architecture, though based on Harvard architecture, permits transfer of data from ROM to RAM.

### CPU REGISTERS

The CPU can do an 8-bit addition, subtraction, logical or shift operation in one instruction ( $t_c$ ) cycle time.

There are five CPU registers:

A is the 8-bit Accumulator Register

PC is the 15-bit Program Counter Register

PU is the upper 7 bits of the program counter (PC)

PL is the lower 8 bits of the program counter (PC)

B is an 8-bit RAM address pointer, which can be optionally post auto incremented or decremented.

X is an 8-bit alternate RAM address pointer, which can be optionally post auto incremented or decremented.

SP is the 8-bit stack pointer, which points to the subroutine/interrupt stack (in RAM). The SP is initialized to RAM address 06F with reset.

All the CPU registers are memory mapped with the exception of the Accumulator (A) and the Program Counter (PC).

### PROGRAM MEMORY

Program memory consists of 4096 bytes of ROM. These bytes may hold program instructions or constant data (data

tables for the LAID instruction, jump vectors for the JID instruction, and interrupt vectors for the VIS instruction). The program memory is addressed by the 15-bit program counter (PC). All interrupts vector to program memory location 0FF Hex.

### DATA MEMORY

The data memory address space includes the on-chip RAM and data registers, the I/O registers (Configuration, Data and Pin), the control registers, the MICROWIRE/PLUS SIO shift register, and the various registers, and counters associated with the timers (with the exception of the IDLE timer). Data memory is addressed directly by the instruction or indirectly by the B, X and SP pointers.

The device has 128 bytes of RAM. Sixteen bytes of RAM are mapped as "registers" at addresses 0F0 to 0FF Hex. These registers can be loaded immediately, and also decremented and tested with the DRSZ (decrement register and skip if zero) instruction. The memory pointer registers X, SP, and B are memory mapped into this space at address locations 0FC to 0FE Hex respectively, with the other registers (other than reserved register 0FF) being available for general usage.

The instruction set permits any bit in memory to be set, reset or tested. All I/O and registers (except A and PC) are memory mapped; therefore, I/O bits and register bits can be directly and individually set, reset and tested. The accumulator (A) bits can also be directly and individually tested.

**Note:** RAM contents are undefined upon power-up.

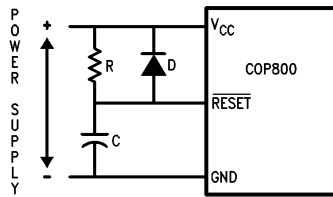
## Reset

The RESET input when pulled low initializes the microcontroller. Initialization will occur whenever the RESET input is pulled low. Upon initialization, the data and configuration registers for Ports L, G, and C are cleared, resulting in these Ports being initialized to the TRI-STATE mode. Pin G1 of the G Port is an exception (as noted below) since pin G1 is dedicated as the WATCHDOG and/or Clock Monitor error output pin. Port D is initialized high with RESET. The PC, PSW, CNTRL, ICNTRL, and T2CNTRL control registers are cleared. The Multi-Input Wakeup registers WKEN, WKEDG, and WKPND are cleared. The Stack Pointer, SP, is initialized to 06F Hex.

The device comes out of reset with both the WATCHDOG logic and the Clock Monitor detector armed, and with both the WATCHDOG service window bits set and the Clock Monitor bit set. The WATCHDOG and Clock Monitor detector circuits are inhibited during reset. The WATCHDOG service window bits are initialized to the maximum WATCHDOG service window of 64k  $t_c$  clock cycles. The Clock Monitor bit is initialized high, and will cause a Clock Monitor error following reset if the clock has not reached the minimum specified frequency at the termination of reset. A Clock Monitor error will cause an active low error output on pin G1. This error output will continue until 16–32  $t_c$  clock cycles following the clock frequency reaching the minimum specified value, at which time the G1 output will enter the TRI-STATE mode.

The external RC network shown in Figure 4 should be used to ensure that the RESET pin is held low until the power supply to the chip stabilizes.

## Reset (Continued)



TL/DD/9766-7

$$RC > 5 \times \text{Power Supply Rise Time}$$

**FIGURE 4. Recommended Reset Circuit**

## Oscillator Circuits

The chip can be driven by a clock input on the CKI input pin which can be between DC and 10 MHz. The CKO output clock is on pin G7 (crystal configuration). The CKI input frequency is divided down by 10 to produce the instruction cycle clock ( $1/t_c$ ).

Figure 5 shows the Crystal and R/C diagrams.

### CRYSTAL OSCILLATOR

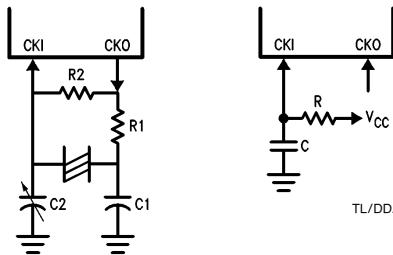
CKI and CKO can be connected to make a closed loop crystal (or resonator) controlled oscillator.

Table A shows the component values required for various standard crystal values.

### R/C OSCILLATOR

By selecting CKI as a single pin oscillator input, a single pin R/C oscillator circuit can be connected to it. CKO is available as a general purpose input, and/or HALT restart pin.

Table B shows the variation in the oscillator frequencies as functions of the component (R and C) values.



TL/DD/9766-9

TL/DD/9766-8

**FIGURE 5. Crystal and R/C Oscillator Diagrams**

**TABLE A. Crystal Oscillator Configuration,  $T_A = 25^\circ\text{C}$**

| R1 (k $\Omega$ ) | R2 (M $\Omega$ ) | C1 (pF) | C2 (pF) | CKI Freq (MHz) | Conditions      |
|------------------|------------------|---------|---------|----------------|-----------------|
| 0                | 1                | 30      | 30-36   | 10             | $V_{CC} = 5V$   |
| 0                | 1                | 30      | 30-36   | 4              | $V_{CC} = 5.0V$ |
| 0                | 1                | 200     | 100-150 | 0.455          | $V_{CC} = 5V$   |

**TABLE B. RC Oscillator Configuration,  $T_A = 25^\circ\text{C}$**

| R (k $\Omega$ ) | C (pF) | CKI Freq (MHz) | Instr. Cycle ( $\mu\text{s}$ ) | Conditions    |
|-----------------|--------|----------------|--------------------------------|---------------|
| 3.3             | 82     | 2.2 to 2.7     | 3.7 to 4.6                     | $V_{CC} = 5V$ |
| 5.6             | 100    | 1.1 to 1.3     | 7.4 to 9.0                     | $V_{CC} = 5V$ |
| 6.8             | 100    | 0.9 to 1.1     | 8.8 to 10.8                    | $V_{CC} = 5V$ |

Note:  $3k \leq R \leq 200k$ ,  $50 \text{ pF} \leq C \leq 200 \text{ pF}$

## Control Registers

### CNTRL Register (Address X'00EE)

The Timer1 (T1) and MICROWIRE/PLUS control register contains the following bits:

- SL1 & SL0 Select the MICROWIRE/PLUS clock divide by (00 = 2, 01 = 4, 1x = 8)
- IEDG External interrupt edge polarity select (0 = Rising edge, 1 = Falling edge)
- MSEL Selects G5 and G4 as MICROWIRE/PLUS signals SK and SO respectively

## Control Registers (Continued)

|      |   |
|------|---|
| T1C0 | Timer T1 Start/Stop control in timer modes 1 and 2        |
|      | Timer T1 Underflow Interrupt Pending Flag in timer mode 3 |
| T1C1 | Timer T1 mode control bit                                 |
| T1C2 | Timer T1 mode control bit                                 |
| T1C3 | Timer T1 mode control bit                                 |

|       |      |      |      |      |      |     |       |
|-------|------|------|------|------|------|-----|-------|
| T1C3  | T1C2 | T1C1 | T1C0 | MSEL | IEDG | SL1 | SL0   |
| Bit 7 |      |      |      |      |      |     | Bit 0 |

### PSW Register (Address X'00EF)

The PSW register contains the following select bits:

|        |   |
|--------|---|
| GIE    | Global interrupt enable (enables interrupts)  |
| EXEN   | Enable external interrupt   |
| BUSY   | MICROWIRE/PLUS busy shifting flag   |
| EXPND  | External interrupt pending  |
| T1ENA  | Timer T1 Interrupt Enable for Timer Underflow or T1A Input capture edge                                       |
| T1PNDA | Timer T1 Interrupt Pending Flag (Autoreload RA in mode 1, T1 Underflow in Mode 2, T1A capture edge in mode 3) |
| C      | Carry Flag  |
| HC     | Half Carry Flag   |

|       |   |        |       |       |      |      |       |
|-------|---|--------|-------|-------|------|------|-------|
| HC    | C | T1PNDA | T1ENA | EXPND | BUSY | EXEN | GIE   |
| Bit 7 |   |        |       |       |      |      | Bit 0 |

The Half-Carry bit is also affected by all the instructions that affect the Carry flag. The SC (Set Carry) and RC (Reset Carry) instructions will respectively set or clear both the carry flags. In addition to the SC and RC instructions, ADC, SUBC, RRC and RLC instructions affect the carry and Half Carry flags.

### ICNTRL Register (Address X'00E8)

The ICNTRL register contains the following bits:

|        |  |
|--------|--|
| T1ENB  | Timer T1 Interrupt Enable for T1B Input capture edge |
| T1PNDB | Timer T1 Interrupt Pending Flag for T1B capture edge |

|            |  |
|------------|--|
| $\mu$ WEN  | Enable MICROWIRE/PLUS interrupt                        |
| $\mu$ WPND | MICROWIRE/PLUS interrupt pending                       |
| T0EN       | Timer T0 Interrupt Enable (Bit 12 toggle)              |
| T0PND      | Timer T0 Interrupt pending                             |
| LPEN       | L Port Interrupt Enable (Multi-Input Wakeup/Interrupt) |
|            | Bit 7 could be used as a flag                          |

|        |      |       |      |            |           |        |       |
|--------|------|-------|------|------------|-----------|--------|-------|
| Unused | LPEN | T0PND | T0EN | $\mu$ WPND | $\mu$ WEN | T1PNDB | T1ENB |
| Bit 7  |      |       |      |            |           |        | Bit 0 |

### T2CNTRL Register (Address X'00C6)

The T2CNTRL register contains the following bits:

|        |   |
|--------|---|
| T2ENB  | Timer T2 Interrupt Enable for T2B Input capture edge  |
| T2PNDB | Timer T2 Interrupt Pending Flag for T2B capture edge  |
| T2ENA  | Timer T2 Interrupt Enable for Timer Underflow or T2A Input capture edge                                       |
| T2PNDA | Timer T2 Interrupt Pending Flag (Autoreload RA in mode 1, T2 Underflow in mode 2, T2A capture edge in mode 3) |
| T2C0   | Timer T2 Start/Stop control in timer modes 1 and 2 Timer T2 Underflow Interrupt Pending Flag in timer mode 3  |
| T2C1   | Timer T2 mode control bit   |
| T2C2   | Timer T2 mode control bit   |
| T2C3   | Timer T2 mode control bit   |

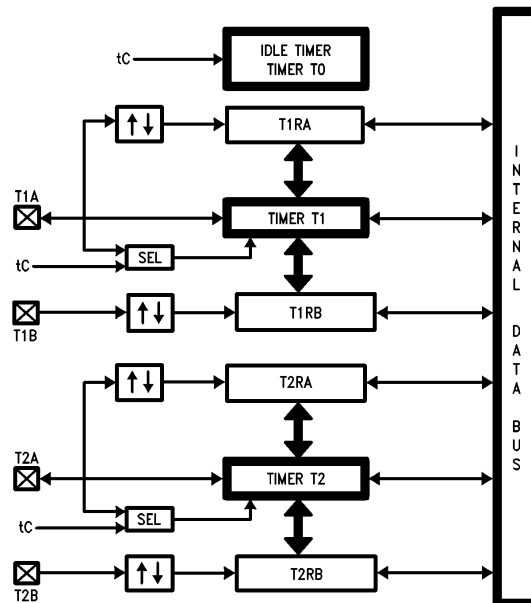
|       |      |      |      |        |       |        |       |
|-------|------|------|------|--------|-------|--------|-------|
| T2C3  | T2C2 | T2C1 | T2C0 | T2PNDA | T2ENA | T2PNDB | T2ENB |
| Bit 7 |      |      |      |        |       |        | Bit 0 |

## Timers

The device contains a very versatile set of timers (T0, T1, T2). All timers and associated autoreload/capture registers power up containing random data.

Figure 6 shows a block diagram for the timers.

## Timers (Continued)



TL/DD/9766-11

FIGURE 6. Timers

### TIMER T0 (IDLE TIMER)

The device supports applications that require maintaining real time and low power with the IDLE mode. This IDLE mode support is furnished by the IDLE timer T0, which is a 16-bit timer. The Timer T0 runs continuously at the fixed rate of the instruction cycle clock,  $t_c$ . The user cannot read or write to the IDLE Timer T0, which is a count down timer. The Timer T0 supports the following functions:

- Exit out of the Idle Mode (See Idle Mode description)
- WATCHDOG logic (See WATCHDOG description)
- Start up delay out of the HALT mode

The IDLE Timer T0 can generate an interrupt when the thirteenth bit toggles. This toggle is latched into the TOPND pending flag, and will occur every 4 ms at the maximum clock frequency ( $t_c = 1 \mu\text{s}$ ). A control flag T0EN allows the interrupt from the thirteenth bit of Timer T0 to be enabled or disabled. Setting T0EN will enable the interrupt, while resetting it will disable the interrupt.

### TIMER T1 AND TIMER T2

The device has a set of two powerful timer/counter blocks, T1 and T2. The associated features and functioning of a timer block are described by referring to the timer block Tx. Since the two timer blocks, T1 and T2, are identical, all comments are equally applicable to either timer block.

Each timer block consists of a 16-bit timer, Tx, and two supporting 16-bit autoreload/capture registers, RxA and RxB. Each timer block has two pins associated with it, TxA and TxB. The pin TxA supports I/O required by the timer

block, while the pin TxB is an input to the timer block. The powerful and flexible timer block allows the device to easily perform all timer functions with minimal software overhead. The timer block has three operating modes: Processor Independent PWM mode, External Event Counter mode, and Input Capture mode.

The control bits TxC3, TxC2, and TxC1 allow selection of the different modes of operation.

#### Mode 1. Processor Independent PWM Mode

As the name suggests, this mode allows the device to generate a PWM signal with very minimal user intervention.

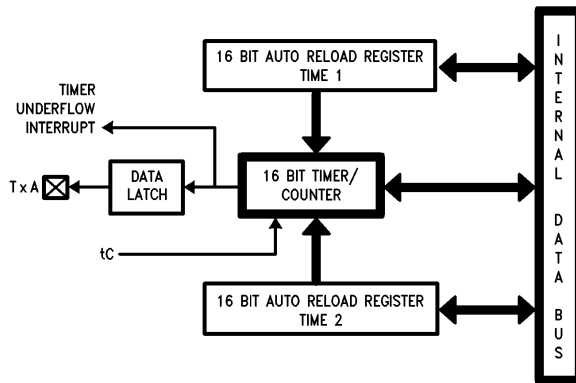
The user only has to define the parameters of the PWM signal (ON time and OFF time). Once begun, the timer block will continuously generate the PWM signal completely independent of the microcontroller. The user software services the timer block only when the PWM parameters require updating.

In this mode the timer Tx counts down at a fixed rate of  $t_c$ . Upon every underflow the timer is alternately reloaded with the contents of supporting registers, RxA and RxB. The very first underflow of the timer causes the timer to reload from the register RxA. Subsequent underflows cause the timer to be reloaded from the registers alternately beginning with the register RxB.

The Tx Timer control bits, TxC3, TxC2 and TxC1 set up the timer for PWM mode operation.

Figure 7 shows a block diagram of the timer in PWM mode.

## Timers (Continued)



TL/DD/9766-13

FIGURE 7. Timer in PWM Mode

The underflows can be programmed to toggle the TxA output pin. The underflows can also be programmed to generate interrupts.

Underflows from the timer are alternately latched into two pending flags, TxPNDA and TxPNDB. The user must reset these pending flags under software control. Two control enable flags, TxENA and TxENB, allow the interrupts from the timer underflow to be enabled or disabled. Setting the timer enable flag TxENA will cause an interrupt when a timer underflow causes the RxA register to be reloaded into the timer. Setting the timer enable flag TxENB will cause an interrupt when a timer underflow causes the RxB register to be reloaded into the timer. Resetting the timer enable flags will disable the associated interrupts.

Either or both of the timer underflow interrupts may be enabled. This gives the user the flexibility of interrupting once per PWM period on either the rising or falling edge of the PWM output. Alternatively, the user may choose to interrupt on both edges of the PWM output.

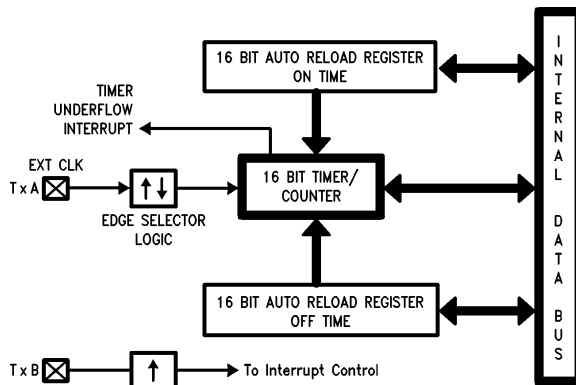
### Mode 2. External Event Counter Mode

This mode is quite similar to the processor independent PWM mode described above. The main difference is that the timer, Tx, is clocked by the input signal from the TxA pin. The Tx timer control bits, TxC3, TxC2 and TxC1 allow the timer to be clocked either on a positive or negative edge from the TxA pin. Underflows from the timer are latched into the TxPNDA pending flag. Setting the TxENA control flag will cause an interrupt when the timer underflows.

In this mode the input pin TxB can be used as an independent positive edge sensitive interrupt input if the TxENB control flag is set. The occurrence of a positive edge on the TxB input pin is latched into the TxPNDB flag.

Figure 8 shows a block diagram of the timer in External Event Counter mode.

**Note:** The PWM output is not available in this mode since the TxA pin is being used as the counter input clock.



TL/DD/9766-14

FIGURE 8. Timer in External Event Counter Mode



## Timers (Continued)

### Mode 3. Input Capture Mode

The device can precisely measure external frequencies or time external events by placing the timer block, Tx, in the input capture mode.

In this mode, the timer Tx is constantly running at the fixed  $t_c$  rate. The two registers, RxA and RxB, act as capture registers. Each register acts in conjunction with a pin. The register RxA acts in conjunction with the TxA pin and the register RxB acts in conjunction with the TxB pin.

The timer value gets copied over into the register when a trigger event occurs on its corresponding pin. Control bits, TxC3, TxC2 and TxC1, allow the trigger events to be specified either as a positive or a negative edge. The trigger condition for each input pin can be specified independently.

The trigger conditions can also be programmed to generate interrupts. The occurrence of the specified trigger condition on the TxA and TxB pins will be respectively latched into the pending flags, TxPND A and TxPND B. The control flag TxENA allows the interrupt on TxA to be either enabled or disabled. Setting the TxENA flag enables interrupts to be generated when the selected trigger condition occurs on the TxA pin. Similarly, the flag TxENB controls the interrupts from the TxB pin.

Underflows from the timer can also be programmed to generate interrupts. Underflows are latched into the timer TxCO pending flag (the TxCO control bit serves as the timer under-

flow interrupt pending flag in the Input Capture mode). Consequently, the TxCO control bit should be reset when entering the Input Capture mode. The timer underflow interrupt is enabled with the TxENA control flag. When a TxA interrupt occurs in the Input Capture mode, the user must check both the TxPND A and TxCO pending flags in order to determine whether a TxA input capture or a timer underflow (or both) caused the interrupt.

Figure 9 shows a block diagram of the timer in Input Capture mode.

### TIMER CONTROL FLAGS

The timers T1 and T2 have identical control structures. The control bits and their functions are summarized below.

|         |   |
|---------|---|
| TxC0    | Timer Start/Stop control in Modes 1 and 2 (Processor Independent PWM and External Event Counter), where 1 = Start, 0 = Stop<br>Timer Underflow Interrupt Pending Flag in Mode 3 (Input Capture) |
| TxPND A | Timer Interrupt Pending Flag  |
| TxPND B | Timer Interrupt Pending Flag  |
| TxENA   | Timer Interrupt Enable Flag   |
| TxENB   | Timer Interrupt Enable Flag<br>1 = Timer Interrupt Enabled<br>0 = Timer Interrupt Disabled  |
| TxC3    | Timer mode control  |
| TxC2    | Timer mode control  |
| TxC1    | Timer mode control  |

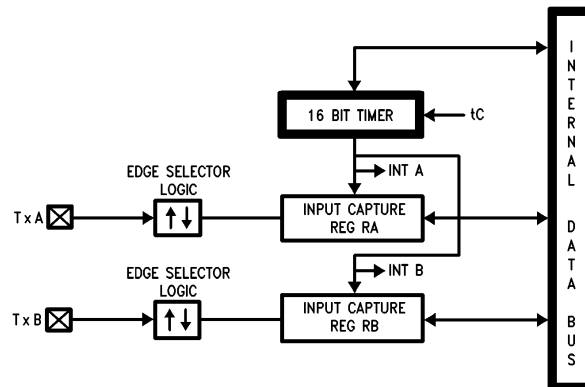


FIGURE 9. Timer in Input Capture Mode

TL/DD/9766-15

## Timers (Continued)

The timer mode control bits (TxC3, TxC2 and TxC1) are detailed below:

| TxC3 | TxC2 | TxC1 | Timer Mode   | Interrupt A Source               | Interrupt B Source | Timer Counts On |
|------|------|------|--|----------------------------------|--------------------|-----------------|
| 0    | 0    | 0    | MODE 2 (External Event Counter)                        | Timer Underflow                  | Pos. TxB Edge      | TxA Pos. Edge   |
| 0    | 0    | 1    | MODE 2 (External Event Counter)                        | Timer Underflow                  | Pos. TxB Edge      | TxA Neg. Edge   |
| 1    | 0    | 1    | MODE 1 (PWM) TxA Toggle                                | Autoreload RA                    | Autoreload RB      | $t_c$           |
| 1    | 0    | 0    | MODE 1 (PWM) No TxA Toggle                             | Autoreload RA                    | Autoreload RB      | $t_c$           |
| 0    | 1    | 0    | MODE 3 (Capture) Captures: TxA Pos. Edge TxB Pos. Edge | Pos. TxA Edge or Timer Underflow | Pos. TxB Edge      | $t_c$           |
| 1    | 1    | 0    | MODE 3 (Capture) Captures: TxA Pos. Edge TxB Neg. Edge | Pos. TxA Edge or Timer Underflow | Neg. TxB Edge      | $t_c$           |
| 0    | 1    | 1    | MODE 3 (Capture) Captures: TxA Neg. Edge TxB Pos. Edge | Neg. TxB Edge or Timer Underflow | Pos. TxB Edge      | $t_c$           |
| 1    | 1    | 1    | MODE 3 (Capture) Captures: TxA Neg. Edge TxB Neg. Edge | Neg. TxA Edge or Timer Underflow | Neg. TxB Edge      | $t_c$           |

## Power Save Modes

The device offers the user two power save modes of operation: HALT and IDLE. In the HALT mode, all microcontroller activities are stopped. In the IDLE mode, the on-board oscillator circuitry and timer T0 are active but all other microcontroller activities are stopped. In either mode, all on-board RAM, registers, I/O states, and timers (with the exception of T0) are unaltered.

### HALT MODE

The device is placed in the HALT mode by writing a "1" to the HALT flag (G7 data bit). All microcontroller activities, including the clock, timers, are stopped. The WATCHDOG logic is disabled during the HALT mode. However, the clock monitor circuitry, if enabled, remains active and will cause the WATCHDOG output pin (WDOUT) to go low. If the HALT mode is used and the user does not want to activate the WDOUT pin, the Clock Monitor should be disabled after the device comes out of reset (resetting the Clock Monitor control bit with the first write to the WDSVR register). In the HALT mode, the power requirements of the device are minimal and the applied voltage ( $V_{CC}$ ) may be decreased to  $V_r$  ( $V_r = 2.0V$ ) without altering the state of the machine.

The device supports three different ways of exiting the HALT mode. The first method of exiting the HALT mode is

with the Multi-Input Wakeup feature on the L port. The second method is with a low to high transition on the CKO (G7) pin. This method precludes the use of the crystal clock configuration (since CKO becomes a dedicated output), and so may be used with an RC clock configuration. The third method of exiting the HALT mode is by pulling the RESET pin low.

Since a crystal or ceramic resonator may be selected as the oscillator, the Wakeup signal is not allowed to start the chip running immediately since crystal oscillators and ceramic resonators have a delayed start up time to reach full amplitude and frequency stability. The IDLE timer is used to generate a fixed delay to ensure that the oscillator has indeed stabilized before allowing instruction execution. In this case, upon detecting a valid Wakeup signal, only the oscillator circuitry is enabled. The IDLE timer is loaded with a value of 256 and is clocked with the  $t_c$  instruction cycle clock. The  $t_c$  clock is derived by dividing the oscillator clock down by a factor of 10. The Schmitt trigger following the CKI inverter on the chip ensures that the IDLE timer is clocked only when the oscillator has a sufficiently large amplitude to meet the Schmitt trigger specifications. This Schmitt trigger is not part of the oscillator closed loop. The startup timeout from the IDLE timer enables the clock signals to be routed to the rest of the chip.

## Power Save Modes (Continued)

If an RC clock option is being used, the fixed delay is introduced optionally. A control bit, CLKDLY, mapped as configuration bit G7, controls whether the delay is to be introduced or not. The delay is included if CLKDLY is set, and excluded if CLKDLY is reset. The CLKDLY bit is cleared on reset.

The device has two mask options associated with the HALT mode. The first mask option enables the HALT mode feature, while the second mask option disables the HALT mode. With the HALT mode enable mask option, the device will enter and exit the HALT mode as described above. With the HALT disable mask option, the device cannot be placed in the HALT mode (writing a "1" to the HALT flag will have no effect).

The WATCHDOG detector circuit is inhibited during the HALT mode. However, the clock monitor circuit, if enabled, remains active during HALT mode in order to ensure a clock monitor error if the device inadvertently enters the HALT mode as a result of a runaway program or power glitch.

### IDLE MODE

The device is placed in the IDLE mode by writing a "1" to the IDLE flag (G6 data bit). In this mode, all activity, except the associated on-board oscillator circuitry, the WATCHDOG logic, the clock monitor and the IDLE Timer T0, is stopped.

As with the HALT mode, the device can be returned to normal operation with a reset, or with a Multi-Input Wake-up from the L Port. Alternately, the microcontroller resumes normal operation from the IDLE mode when the thirteenth bit (representing 4.096 ms at internal clock frequency of 1 MHz,  $t_c = 1 \mu s$ ) of the IDLE Timer toggles.

This toggle condition of the thirteenth bit of the IDLE Timer T0 is latched into the TOPND pending flag.

The user has the option of being interrupted with a transition on the thirteenth bit of the IDLE Timer T0. The interrupt can be enabled or disabled via the TOEN control bit. Setting the TOEN flag enables the interrupt and vice versa.

The user can enter the IDLE mode with the Timer T0 interrupt enabled. In this case, when the TOPND bit gets set, the device will first execute the Timer T0 interrupt service routine and then return to the instruction following the "Enter Idle Mode" instruction.

Alternatively, the user can enter the IDLE mode with the IDLE Timer T0 interrupt disabled. In this case, the device will resume normal operation with the instruction immediately following the "Enter IDLE Mode" instruction.

**Note:** It is necessary to program two NOP instructions following both the set HALT mode and set IDLE mode instructions. These NOP instructions are necessary to allow clock resynchronization following the HALT or IDLE modes.

## Multi-Input Wakeup

The Multi-Input Wakeup feature is used to return (wakeup) the device from either the HALT or IDLE modes. Alternately Multi-Input Wakeup/Interrupt feature may also be used to generate up to 8 edge selectable external interrupts.

Figure 10 shows the Multi-Input Wakeup logic.

The Multi-Input Wakeup feature utilizes the L Port. The user selects which particular L port bit (or combination of L Port bits) will cause the device to exit the HALT or IDLE modes. The selection is done through the Reg: WKEN. The Reg: WKEN is an 8-bit read/write register, which contains a control bit for every L port bit. Setting a particular WKEN bit enables a Wakeup from the associated L port pin.

The user can select whether the trigger condition on the selected L Port pin is going to be either a positive edge (low to high transition) or a negative edge (high to low transition). This selection is made via the Reg: WKEDG, which is an 8-bit control register with a bit assigned to each L Port pin. Setting the control bit will select the trigger condition to be a negative edge on that particular L Port pin. Resetting the bit selects the trigger condition to be a positive edge. Changing an edge select entails several steps in order to avoid a pseudo Wakeup condition as a result of the edge change. First, the associated WKEN bit should be reset, followed by the edge select change in WKEDG. Next, the associated WKPND bit should be cleared, followed by the associated WKEN bit being re-enabled.

An example may serve to clarify this procedure. Suppose we wish to change the edge select from positive (low going high) to negative (high going low) for L Port bit 5, where bit 5 has previously been enabled for an input interrupt. The program would be as follows:

```

RBIT 5, WKEN
SBIT 5, WKEDG
RBIT 5, WKPND
SBIT 5, WKEN
    
```

If the L port bits have been used as outputs and then changed to inputs with Multi-Input Wakeup/Interrupt, a safety procedure should also be followed to avoid inherited pseudo wakeup conditions. After the selected L port bits have been changed from output to input but before the associated WKEN bits are enabled, the associated edge select bits in WKEDG should be set or reset for the desired edge selects, followed by the associated WKPND bits being cleared.

This same procedure should be used following reset, since the L port inputs are left floating as a result of reset.

The occurrence of the selected trigger condition for Multi-Input Wakeup is latched into a pending register called WKPND. The respective bits of the WKPND register will be set on the occurrence of the selected trigger edge on the corresponding Port L pin. The user has the responsibility of clearing these pending flags. Since WKPND is a pending register for the occurrence of selected wakeup conditions, the device will not enter the HALT mode if any Wakeup bit is both enabled and pending. Consequently, the user has the responsibility of clearing the pending flags before attempting to enter the HALT mode.

The WKEN, WKPND and WKEDG are all read/write registers, and are cleared at reset.

### PORT L INTERRUPTS

Port L provides the user with an additional eight fully selectable, edge sensitive interrupts which are all vectored into the same service subroutine.

The interrupt from Port L shares logic with the wake up circuitry. The register WKEN allows interrupts from Port L to

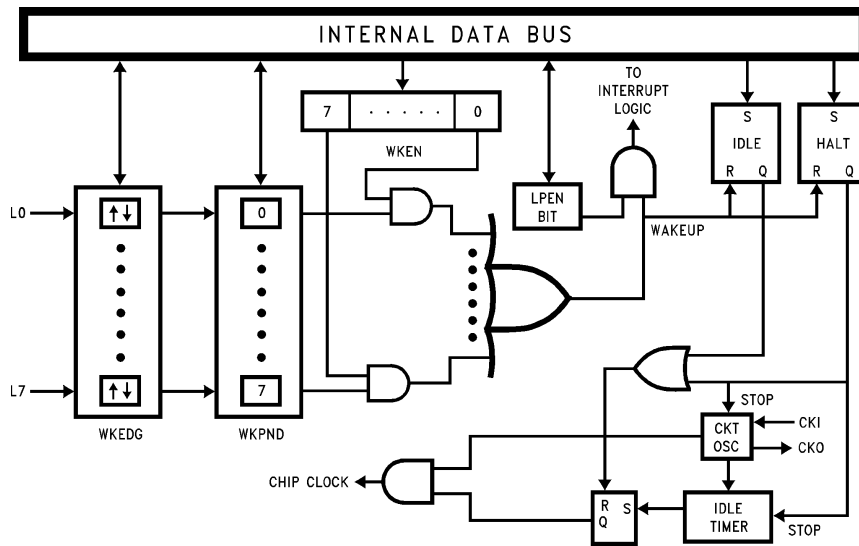


FIGURE 10. Multi-Input Wake Up Logic

TL/DD/9766-16

## Multi-Input Wakeup (Continued)

be individually enabled or disabled. The register WKEDG specifies the trigger condition to be either a positive or a negative edge. Finally, the register WKPND latches in the pending trigger conditions.

The GIE (Global Interrupt Enable) bit enables the interrupt function.

A control flag, LPEN, functions as a global interrupt enable for Port L interrupts. Setting the LPEN flag will enable interrupts and vice versa. A separate global pending flag is not needed since the register WKPND is adequate.

Since Port L is also used for waking the device out of the HALT or IDLE modes, the user can elect to exit the HALT or IDLE modes either with or without the interrupt enabled. If he elects to disable the interrupt, then the device will restart execution from the instruction immediately following the instruction that placed the microcontroller in the HALT or IDLE modes. In the other case, the device will first execute the interrupt service routine and then revert to normal operation.

The Wakeup signal will not start the chip running immediately since crystal oscillators or ceramic resonators have a finite start up time. The IDLE Timer (T0) generates a fixed delay to ensure that the oscillator has indeed stabilized before allowing the device to execute instructions. In this case, upon detecting a valid Wakeup signal, only the oscillator circuitry and the IDLE Timer T0 are enabled. The IDLE Timer is loaded with a value of 256 and is clocked from the  $t_c$  instruction cycle clock. The  $t_c$  clock is derived by dividing down the oscillator clock by a factor of 10. A Schmitt trigger following the CK1 on-chip inverter ensures that the IDLE timer is clocked only when the oscillator has a sufficiently large

amplitude to meet the Schmitt trigger specifications. This Schmitt trigger is not part of the oscillator closed loop. The startup timeout from the IDLE timer enables the clock signals to be routed to the rest of the chip. If the RC clock option is used, the fixed delay is under software control. A control flag, CLKDLY, in the G7 configuration bit allows the clock start up delay to be optionally inserted. Setting CLKDLY flag high will cause clock start up delay to be inserted and resetting it will exclude the clock start up delay. The CLKDLY flag is cleared during reset, so the clock start up delay is not present following reset with the RC clock options.

## Interrupts

The device supports a vectored interrupt scheme. It supports a total of ten interrupt sources. The following table lists all the possible interrupt sources, their arbitration ranking and the memory locations reserved for the interrupt vector for each source.

Two bytes of program memory space are reserved for each interrupt source. All interrupt sources except the software interrupt are maskable. Each of the maskable interrupts have an Enable bit and a Pending bit. A maskable interrupt is active if its associated enable and pending bits are set. If  $GIE = 1$  and an interrupt is active, then the processor will be interrupted as soon as it is ready to start executing an instruction except if the above conditions happen during the Software Trap service routine. This exception is described in the Software Trap sub-section.

The interruption process is accomplished with the INTR instruction (opcode 00), which is jammed inside the Instruc-

| Arbitration Ranking | Source         | Description                                 | Vector Address Hi-Low Byte |           |
|---------------------|----------------|---|----------------------------|-----------|
| (1) Highest         | Software       | INTR Instruction                            | 0yFE–0yFF                  |           |
|                     | Reserved       | for Future Use                              | 0yFC–0yFD                  |           |
| (2)                 | External       | Pin G0 Edge                                 | 0yFA–0yFB                  |           |
| (3)                 | Timer T0       | Underflow                                   | 0yF8–0yF9                  |           |
| (4)                 | Timer T1       | T1A/Underflow                               | 0yF6–0yF7                  |           |
|                     |                | T1B   | 0yF4–0yF5                  |           |
| (6)                 | MICROWIRE/PLUS | BUSY Goes Low                               | 0yF2–0yF3                  |           |
|                     | Reserved       | for Future Use                              | 0yF0–0yF1                  |           |
|                     | Reserved       | for UART                                    | 0yEE–0yEF                  |           |
|                     | Reserved       | for UART                                    | 0yEC–0yED                  |           |
| (7)                 | Timer T2       | T2A/Underflow                               | 0yEA–0yEB                  |           |
| (8)                 | Timer T2       | T2B   | 0yE8–0yE9                  |           |
|                     |                | Reserved                                    | for Future Use             | 0yE6–0yE7 |
|                     |                | Reserved                                    | for Future Use             | 0yE4–0yE5 |
| (9)                 | Port L/Wakeup  | Port L Edge                                 | 0yE2–0yE3                  |           |
| (10) Lowest         | Default        | VIS Instr. Execution without Any Interrupts | 0yE0–0yE1                  |           |

y is VIS page, y ≠ 0.

## Interrupts (Continued)

tion Register and replaces the opcode about to be executed. The following steps are performed for every interrupt:

1. The GIE (Global Interrupt Enable) bit is reset.
2. The address of the instruction about to be executed is pushed into the stack.
3. The PC (Program Counter) branches to address 00FF. This procedure takes  $7 t_c$  cycles to execute.

At this time, since  $GIE = 0$ , other maskable interrupts are disabled. The user is now free to do whatever context switching is required by saving the context of the machine in the stack with PUSH instructions. The user would then program a VIS (Vector Interrupt Select) instruction in order to branch to the interrupt service routine of the highest priority interrupt enabled and pending at the time of the VIS. Note that this is not necessarily the interrupt that caused the branch to address location 00FF Hex prior to the context switching.

Thus, if an interrupt with a higher rank than the one which caused the interruption becomes active before the decision of which interrupt to service is made by the VIS, then the interrupt with the higher rank will override any lower ones and will be acknowledged. The lower priority interrupt(s) are still pending, however, and will cause another interrupt immediately following the completion of the interrupt service routine associated with the higher priority interrupt just serviced. This lower priority interrupt will occur immediately following the RETI (Return from Interrupt) instruction at the end of the interrupt service routine just completed.

Inside the interrupt service routine, the associated pending bit has to be cleared by software. The RETI (Return from Interrupt) instruction at the end of the interrupt service routine will set the GIE (Global Interrupt Enable) bit, allowing the processor to be interrupted again if another interrupt is active and pending.

The VIS instruction looks at all the active interrupts at the time it is executed and performs an indirect jump to the beginning of the service routine of the one with the highest rank.

The addresses of the different interrupt service routines, called vectors, are chosen by the user and stored in ROM in a table starting at 01E0 (assuming that VIS is located between 00FF and 01DF). The vectors are 15-bit wide and therefore occupy 2 ROM locations.

VIS and the vector table must be located in the same 256-byte block (0y00 to 0yFF) except if VIS is located at the last address of a block. In this case, the table must be in the next block. The vector table cannot be inserted in the first 256-byte block.

The vector of the maskable interrupt with the lowest rank is located at 0yE0 (Hi-Order byte) and 0yE1 (Lo-Order byte) and so forth in increasing rank number. The vector of the maskable interrupt with the highest rank is located at 0yFA (Hi-Order byte) and 0yFB (Lo-Order byte).

The Software Trap has the highest rank and its vector is located at 0yFE and 0yFF.

If, by accident, a VIS gets executed and no interrupt is active, then the PC (Program Counter) will branch to a vector located at 0yE0–0yE1.

### WARNING

A Default VIS interrupt handle routine must be present. As a minimum, this handler should confirm that the GIE bit is cleared (this indicates that the interrupt sequence has been taken), take care of any required housekeeping, restore context and return. Some sort of Warm Restart procedure should be implemented. These events can occur without any error on the part of the system designer or programmer.

**Note:** There is always the possibility of an interrupt occurring during an instruction which is attempting to reset the GIE bit or any other interrupt enable bit. If this occurs when a single cycle instruction is being used to reset the interrupt enable bit, the interrupt enable bit will be reset but an interrupt may still occur. This is because interrupt processing is started at the same time as the interrupt bit is being reset. To avoid this scenario, the user should always use a two, three, or four cycle instruction to reset interrupt enable bits.

Figure 11 shows the Interrupt block diagram.

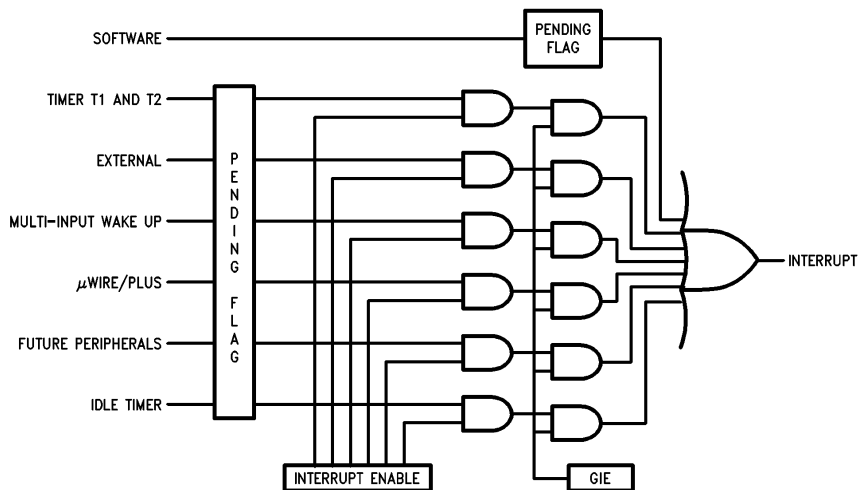


FIGURE 11. Interrupt Block Diagram

TL/DD/9766-18

## Interrupts (Continued)

### SOFTWARE TRAP

The Software Trap (ST) is a special kind of non-maskable interrupt which occurs when the INTR instruction (used to acknowledge interrupts) is fetched from ROM and placed inside the instruction register. This may happen when the PC is pointing beyond the available ROM address space or when the stack is over-popped.

When an ST occurs, the user can re-initialize the stack pointer and do a recovery procedure (similar to reset, but not necessarily containing all of the same initialization procedures) before restarting.

The occurrence of an ST is latched into the ST pending bit. The GIE bit is not affected and the ST pending bit (**not accessible by the user**) is used to inhibit other interrupts and to direct the program to the ST service routine with the VIS instruction. The RPND instruction is used to clear the software interrupt pending bit. This pending bit is also cleared on reset.

The ST has the highest rank among all interrupts.

**Nothing (except another ST) can interrupt an ST being serviced.**

### WATCHDOG

The device contains a WATCHDOG and clock monitor. The WATCHDOG is designed to detect the user program getting stuck in infinite loops resulting in loss of program control or “runaway” programs. The Clock Monitor is used to detect the absence of a clock or a very slow clock below a specified rate on the CKI pin.

The WATCHDOG consists of two independent logic blocks: WD UPPER and WD LOWER. WD UPPER establishes the upper limit on the service window and WD LOWER defines the lower limit of the service window.

Servicing the WATCHDOG consists of writing a specific value to a WATCHDOG Service Register named WDSVR which is memory mapped in the RAM. This value is composed of three fields, consisting of a 2-bit Window Select, a 5-bit Key Data field, and the 1-bit Clock Monitor Select field. Table I shows the WDSVR register.

The lower limit of the service window is fixed at 2048 instruction cycles. Bits 7 and 6 of the WDSVR register allow the user to pick an upper limit of the service window.

Table II shows the four possible combinations of lower and upper limits for the WATCHDOG service window. This flexibility in choosing the WATCHDOG service window prevents any undue burden on the user software.

Bits 5, 4, 3, 2 and 1 of the WDSVR register represent the 5-bit Key Data field. The key data is fixed at 01100. Bit 0 of the WDSVR Register is the Clock Monitor Select bit.

**TABLE I. WATCHDOG Service Register (WDSVR)**

| Window Select |   | Key Data |   |   |   |   | Clock Monitor |
|---------------|---|----------|---|---|---|---|---------------|
| X             | X | 0        | 1 | 1 | 0 | 0 | Y             |
| 7             | 6 | 5        | 4 | 3 | 2 | 1 | 0             |

**TABLE II. WATCHDOG Service Window Select**

| WDSVR Bit 7 | WDSVR Bit 6 | Service Window (Lower-Upper Limits) |
|-------------|-------------|-------------------------------------|
| 0           | 0           | 2k-8k $t_c$ Cycles                  |
| 0           | 1           | 2k-16k $t_c$ Cycles                 |
| 1           | 0           | 2k-32k $t_c$ Cycles                 |
| 1           | 1           | 2k-64k $t_c$ Cycles                 |

### Clock Monitor

The Clock Monitor aboard the device can be selected or deselected under program control. The Clock Monitor is guaranteed not to reject the clock if the instruction cycle clock ( $1/t_c$ ) is greater or equal to 10 kHz. This equates to a clock input rate on CKI of greater or equal to 100 kHz.

### WATCHDOG Operation

The WATCHDOG and Clock Monitor are disabled during reset. The device comes out of reset with the WATCHDOG armed, the WATCHDOG Window Select bits (bits 6, 7 of the WDSVR Register) set, and the Clock Monitor bit (bit 0 of the WDSVR Register) enabled. Thus, a Clock Monitor error will occur after coming out of reset, if the instruction cycle clock frequency has not reached a minimum specified value, including the case where the oscillator fails to start.

The WDSVR register can be written to only once after reset and the key data (bits 5 through 1 of the WDSVR Register) must match to be a valid write. This write to the WDSVR register involves two irrevocable choices: (i) the selection of the WATCHDOG service window (ii) enabling or disabling of the Clock Monitor. Hence, the first write to WDSVR Register involves selecting or deselecting the Clock Monitor, select the WATCHDOG service window and match the WATCHDOG key data. Subsequent writes to the WDSVR register will compare the value being written by the user to the WATCHDOG service window value and the key data (bits 7 through 1) in the WDSVR Register. Table III shows the sequence of events that can occur.

The user must service the WATCHDOG at least once before the upper limit of the service window expires. The WATCHDOG may not be serviced more than once in every lower limit of the service window. The user may service the WATCHDOG as many times as wished in the time period between the lower and upper limits of the service window. The first write to the WDSVR Register is also counted as a WATCHDOG service.

The WATCHDOG has an output pin associated with it. This is the WDOUT pin, on pin 1 of the port G. WDOUT is active low. The WDOUT pin is in the high impedance state in the inactive state. Upon triggering the WATCHDOG, the logic will pull the WDOUT (G1) pin low for an additional  $16 t_c - 32 t_c$  cycles after the signal level on WDOUT pin goes below the lower Schmitt trigger threshold. After this delay, the device will stop forcing the WDOUT output low.

The WATCHDOG service window will restart when the WDOUT pin goes high. It is recommended that the user tie the WDOUT pin back to  $V_{CC}$  through a resistor in order to pull WDOUT high.

A WATCHDOG service while the WDOUT signal is active will be ignored. The state of the WDOUT pin is not guaranteed on reset, but if it powers up low then the WATCHDOG will time out and WDOUT will enter high impedance state.

## WATCHDOG Operation (Continued)

TABLE III. WATCHDOG Service Actions

| Key Data   | Window Data | Clock Monitor | Action                                |
|------------|-------------|---------------|---------------------------------------|
| Match      | Match       | Match         | Valid Service: Restart Service Window |
| Don't Care | Mismatch    | Don't Care    | Error: Generate WATCHDOG Output       |
| Mismatch   | Don't Care  | Don't Care    | Error: Generate WATCHDOG Output       |
| Don't Care | Don't Care  | Mismatch      | Error: Generate WATCHDOG Output       |

TABLE IV. MICROWIRE/PLUS  
Master Mode Clock Select

| SL1 | SL0 | SK             |
|-----|-----|----------------|
| 0   | 0   | $2 \times t_c$ |
| 0   | 1   | $4 \times t_c$ |
| 1   | x   | $8 \times t_c$ |

Where  $t_c$  is the instruction cycle clock

The Clock Monitor forces the G1 pin low upon detecting a clock frequency error. The Clock Monitor error will continue until the clock frequency has reached the minimum specified value, after which the G1 output will enter the high impedance TRI-STATE mode following  $16 t_c$ – $32 t_c$  clock cycles. The Clock Monitor generates a continual Clock Monitor error if the oscillator fails to start, or fails to reach the minimum specified frequency. The specification for the Clock Monitor is as follows:

$1/t_c > 10$  kHz—No clock rejection.

$1/t_c < 10$  Hz—Guaranteed clock rejection.

### WATCHDOG AND CLOCK MONITOR SUMMARY

The following salient points regarding the WATCHDOG and Clock Monitor should be noted:

- Both WATCHDOG and Clock Monitor detector circuits are inhibited during reset.
- Following reset, the WATCHDOG and Clock Monitor are both enabled, with the WATCHDOG having the maximum service window selected.
- The WATCHDOG service window and Clock Monitor enable/disable option can only be changed once, during the initial WATCHDOG service following reset.
- The initial WATCHDOG service must match the key data value in the WATCHDOG Service register WDSVR in order to avoid a WATCHDOG error.
- Subsequent WATCHDOG services must match all three data fields in WDSVR in order to avoid WATCHDOG errors.
- The correct key data value cannot be read from the WATCHDOG Service register WDSVR. Any attempt to read this key data value of 01100 from WDSVR will read as key data value of all 0's.
- The WATCHDOG detector circuit is inhibited during both the HALT and IDLE modes.
- The Clock Monitor detector circuit is active during both the HALT and IDLE modes. Consequently, the device inadvertently entering the HALT mode will be detected as a Clock Monitor error (provided that the Clock Monitor enable option has been selected by the program).

- With the single-pin R/C oscillator mask option selected and the CLKDLY bit reset, the WATCHDOG service window will resume following HALT mode from where it left off before entering the HALT mode.
- With the crystal oscillator mask option selected, or with the single-pin R/C oscillator mask option selected and the CLKDLY bit set, the WATCHDOG service window will be set to its selected value from WDSVR following HALT. Consequently, the WATCHDOG should not be serviced for at least 2048 instruction cycles following HALT, but must be serviced within the selected window to avoid a WATCHDOG error.
- The IDLE timer T0 is not initialized with reset.
- The user can sync in to the IDLE counter cycle with an IDLE counter (T0) interrupt or by monitoring the TOPND flag. The TOPND flag is set whenever the thirteenth bit of the IDLE counter toggles (every 4096 instruction cycles). The user is responsible for resetting the TOPND flag.
- A hardware WATCHDOG service occurs just as the device exits the IDLE mode. Consequently, the Watchdog should not be serviced for at least 2048 instruction cycles following IDLE, but must be serviced within the selected window to avoid a WATCHDOG error.
- Following reset, the initial WATCHDOG service (where the service window and the Clock Monitor enable/disable must be selected) may be programmed anywhere within the maximum service window (65,536 instruction cycles) initialized by RESET. Note that this initial WATCHDOG service may be programmed within the initial 2048 instruction cycles without causing a WATCHDOG error.

### Detection of Illegal Conditions

The device can detect various illegal conditions resulting from coding errors, transient noise, power supply voltage drops, runaway programs, etc.

Reading of undefined ROM gets zeros. The opcode for software interrupt is zero. If the program fetches instructions from undefined ROM, this will force a software interrupt, thus signaling that an illegal condition has occurred.



## Detection of Illegal Conditions (Continued)

The subroutine stack grows down for each call (jump to subroutine), interrupt, or PUSH, and grows up for each return or POP. The stack pointer is initialized to RAM location 06F Hex during reset. Consequently, if there are more returns than calls, the stack pointer will point to addresses 070 and 071 Hex (which are undefined RAM). Undefined RAM from addresses 070 to 07F Hex is read as all 1's, which in turn will cause the program to return to address 7FFF Hex. This is an undefined ROM location and the instruction fetched (all 0's) from this location will generate a software interrupt signaling an illegal condition.

Thus, the chip can detect the following illegal conditions:

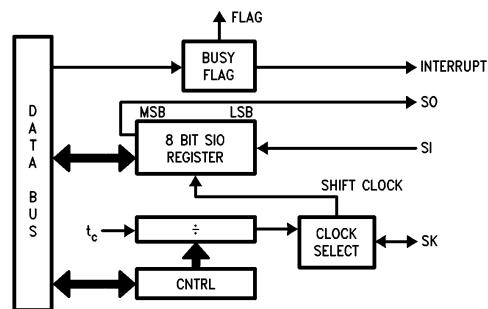
- a. Executing from undefined ROM
- b. Over "POP"ing the stack by having more returns than calls.

When the software interrupt occurs, the user can re-initialize the stack pointer and do a recovery procedure before re-starting (this recovery program is probably similar to that following reset, but might not contain the same program initialization procedures). The recovery program should reset the software interrupt pending bit using the RPND instruction.

## MICROWIRE/PLUS

MICROWIRE/PLUS is a serial synchronous communications interface. The MICROWIRE/PLUS capability enables the device to interface with any of National Semiconductor's MICROWIRE peripherals (i.e. A/D converters, display drivers, E<sup>2</sup>PROMs etc.) and with other microcontrollers which support the MICROWIRE interface. It consists of an 8-bit serial shift register (SIO) with serial data input (SI), serial data output (SO) and serial shift clock (SK). *Figure 12* shows a block diagram of the MICROWIRE logic.

The shift clock can be selected from either an internal source or an external source. Operating the MICROWIRE/PLUS arrangement with the internal clock source is called the Master mode of operation. Similarly, operating the MICROWIRE arrangement with an external shift clock is called the Slave mode of operation.



TL/DD/9766-20

FIGURE 12. MICROWIRE/PLUS Block Diagram

The CNTRL register is used to configure and control the MICROWIRE/PLUS mode. To use the MICROWIRE/PLUS, the MSEL bit in the CNTRL register is set to one. In the

master mode, the SK clock rate is selected by the two bits, SL0 and SL1, in the CNTRL register. Table IV details the different clock rates that may be selected.

## MICROWIRE/PLUS OPERATION

Setting the BUSY bit in the PSW register causes the MICROWIRE/PLUS to start shifting the data. It gets reset when eight data bits have been shifted. The user may reset the BUSY bit by software to allow less than 8 bits to shift. If enabled, an interrupt is generated when eight data bits have been shifted. The device may enter the MICROWIRE/PLUS mode either as a Master or as a Slave. *Figure 13* shows how two COP888CL microcontrollers and several peripherals may be interconnected using the MICROWIRE/PLUS arrangements.

### Warning:

The SIO register should only be loaded when the SK clock is low. Loading the SIO register while the SK clock is high will result in undefined data in the SIO register. The SK clock is normally low when not shifting.

Setting the BUSY flag when the input SK clock is high in the MICROWIRE/PLUS slave mode may cause the current SK clock for the SIO shift register to be narrow. For safety, the BUSY flag should only be set when the input SK clock is low.

### MICROWIRE/PLUS Master Mode Operation

In the MICROWIRE/PLUS Master mode of operation the shift clock (SK) is generated internally. The MICROWIRE Master always initiates all data exchanges. The MSEL bit in the CNTRL register must be set to enable the SO and SK functions onto the G Port. The SO and SK pins must also be selected as outputs by setting appropriate bits in the Port G configuration register. Table V summarizes the bit settings required for Master mode of operation.

### MICROWIRE/PLUS Slave Mode Operation

In the MICROWIRE/PLUS Slave mode of operation the SK clock is generated by an external source. Setting the MSEL bit in the CNTRL register enables the SO and SK functions onto the G Port. The SK pin must be selected as an input and the SO pin is selected as an output pin by setting and resetting the appropriate bit in the Port G configuration register. Table V summarizes the settings required to enter the Slave mode of operation.

The user must set the BUSY flag immediately upon entering the Slave mode. This will ensure that all data bits sent by the Master will be shifted properly. After eight clock pulses the BUSY flag will be cleared and the sequence may be repeated.

### Alternate SK Phase Operation

The device allows either the normal SK clock or an alternate phase SK clock to shift data in and out of the SIO register. In both the modes the SK is normally low. In the normal mode data is shifted in on the rising edge of the SK clock and the data is shifted out on the falling edge of the SK clock. In the alternate SK phase operation, data is shifted in on the falling edge of the SK clock and shifted out on the rising edge of the SK clock.

## MICROWIRE/PLUS (Continued)

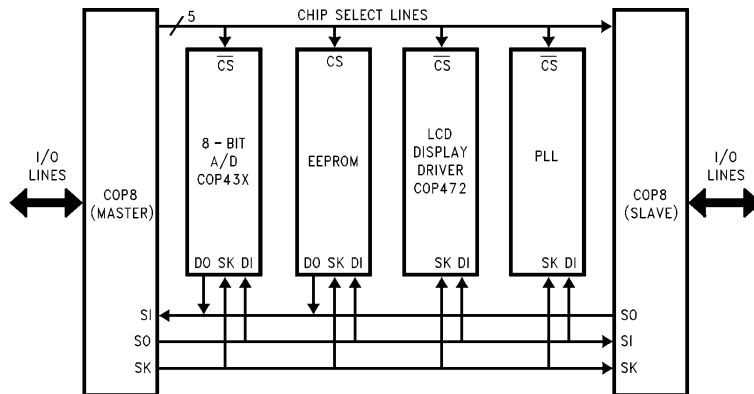


FIGURE 13. MICROWIRE/PLUS Application

TL/DD/9766-21

A control flag, SKSEL, allows either the normal SK clock or the alternate SK clock to be selected. Resetting SKSEL causes the MICROWIRE/PLUS logic to be clocked from the normal SK signal. Setting the SKSEL flag selects the alternate SK clock. The SKSEL is mapped into the G6 configuration bit. The SKSEL flag will power up in the reset condition, selecting the normal SK signal.

TABLE V

This table assumes that the control flag MSEL is set.

| G4 (SO) Config. Bit | G5 (SK) Config. Bit | G4 Fun.   | G5 Fun. | Operation             |
|---------------------|---------------------|-----------|---------|-----------------------|
| 1                   | 1                   | SO        | Int. SK | MICROWIRE/PLUS Master |
| 0                   | 1                   | TRI-STATE | Int. SK | MICROWIRE/PLUS Master |
| 1                   | 0                   | SO        | Ext. SK | MICROWIRE/PLUS Slave  |
| 0                   | 0                   | TRI-STATE | Ext. SK | MICROWIRE/PLUS Slave  |

## Memory Map

All RAM, ports and registers (except A and PC) are mapped into data memory address space

| Address  | Contents                                   |
|----------|--|
| 00 to 6F | On-Chip RAM bytes                          |
| 70 to BF | Unused RAM Address Space                   |
| C0       | Timer T2 Lower Byte                        |
| C1       | Timer T2 Upper Byte                        |
| C2       | Timer T2 Autoload Register T2RA Lower Byte |
| C3       | Timer T2 Autoload Register T2RA Upper Byte |
| C4       | Timer T2 Autoload Register T2RB Lower Byte |
| C5       | Timer T2 Autoload Register T2RB Upper Byte |
| C6       | Timer T2 Control Register                  |
| C7       | WATCHDOG Service Register (Reg:WDSVR)      |
| C8       | MIWU Edge Select Register (Reg:WKEDG)      |
| C9       | MIWU Enable Register (Reg:WKEN)            |
| CA       | MIWU Pending Register (Reg:WKPND)          |
| CB       | Reserved                                   |
| CC       | Reserved                                   |
| CD to CF | Reserved                                   |
| D0       | Port L Data Register                       |
| D1       | Port L Configuration Register              |
| D2       | Port L Input Pins (Read Only)              |
| D3       | Reserved for Port L                        |
| D4       | Port G Data Register                       |
| D5       | Port G Configuration Register              |
| D6       | Port G Input Pins (Read Only)              |
| D7       | Port I Input Pins (Read Only)              |
| D8       | Port C Data Register                       |
| D9       | Port C Configuration Register              |
| DA       | Port C Input Pins (Read Only)              |
| DB       | Reserved for Port C                        |
| DC       | Port D Data Register                       |
| DD to DF | Reserved for Port D                        |
| E0 to E5 | Reserved                                   |
| E6       | Timer T1 Autoload Register T1RB Lower Byte |
| E7       | Timer T1 Autoload Register T1RB Upper Byte |
| E8       | ICNTRL Register                            |
| E9       | MICROWIRE Shift Register                   |
| EA       | Timer T1 Lower Byte                        |
| EB       | Timer T1 Upper Byte                        |
| EC       | Timer T1 Autoload Register T1RA Lower Byte |
| ED       | Timer T1 Autoload Register T1RA Upper Byte |
| EE       | CNTRL Control Register                     |
| EF       | PSW Register                               |
| F0 to FB | On-Chip RAM Mapped as Registers            |
| FC       | X Register                                 |
| FD       | SP Register                                |
| FE       | B Register                                 |
| FF       | Reserved                                   |

Reading memory locations 70-7F Hex will return all ones. Reading other unused memory locations will return undefined data.

## Addressing Modes

The device has ten addressing modes, six for operand addressing and four for transfer of control.

### OPERAND ADDRESSING MODES

#### Register Indirect

This is the “normal” addressing mode. The operand is the data memory addressed by the B pointer or X pointer.

#### Register Indirect (with auto post increment or decrement of pointer)

This addressing mode is used with the LD and X instructions. The operand is the data memory addressed by the B pointer or X pointer. This is a register indirect mode that automatically post increments or decrements the B or X register after executing the instruction.

#### Direct

The instruction contains an 8-bit address field that directly points to the data memory for the operand.

#### Immediate

The instruction contains an 8-bit immediate field as the operand.

#### Short Immediate

This addressing mode is used with the Load B Immediate instruction. The instruction contains a 4-bit immediate field as the operand.

#### Indirect

This addressing mode is used with the LAID instruction. The contents of the accumulator are used as a partial address (lower 8 bits of PC) for accessing a data operand from the program memory.

### TRANSFER OF CONTROL ADDRESSING MODES

#### Relative

This mode is used for the JP instruction, with the instruction field being added to the program counter to get the new program location. JP has a range from  $-31$  to  $+32$  to allow a 1-byte relative jump (JP + 1 is implemented by a NOP instruction). There are no “pages” when using JP, since all 15 bits of PC are used.

#### Absolute

This mode is used with the JMP and JSR instructions, with the instruction field of 12 bits replacing the lower 12 bits of the program counter (PC). This allows jumping to any location in the current 4k program memory segment.

#### Absolute Long

This mode is used with the JMPL and JSRL instructions, with the instruction field of 15 bits replacing the entire 15 bits of the program counter (PC). This allows jumping to any location in the current 4k program memory space.

#### Indirect

This mode is used with the JID instruction. The contents of the accumulator are used as a partial address (lower 8 bits of PC) for accessing a location in the program memory. The contents of this program memory location serve as a partial address (lower 8 bits of PC) for the jump to the next instruction.

**Note:** The VIS is a special case of the Indirect Transfer of Control addressing mode, where the double byte vector associated with the interrupt is transferred from adjacent addresses in the program memory into the program counter (PC) in order to jump to the associated interrupt service routine.

## Instruction Set

### Register and Symbol Definition

| Registers |   |
|-----------|---|
| A         | 8-Bit Accumulator Register                        |
| B         | 8-Bit Address Register                            |
| X         | 8-Bit Address Register                            |
| SP        | 8-Bit Stack Pointer Register                      |
| PC        | 15-Bit Program Counter Register                   |
| PU        | Upper 7 Bits of PC                                |
| PL        | Lower 8 Bits of PC                                |
| C         | 1 Bit of PSW Register for Carry                   |
| HC        | 1 Bit of PSW Register for Half Carry              |
| GIE       | 1 Bit of PSW Register for Global Interrupt Enable |
| VU        | Interrupt Vector Upper Byte                       |
| VL        | Interrupt Vector Lower Byte                       |

| Symbols |  |
|---------|--|
| [B]     | Memory Indirectly Addressed by B Register                  |
| [X]     | Memory Indirectly Addressed by X Register                  |
| MD      | Direct Addressed Memory                                    |
| Mem     | Direct Addressed Memory or [B]                             |
| Meml    | Direct Addressed Memory or [B] or Immediate Data           |
| Imm     | 8-Bit Immediate Data                                       |
| Reg     | Register Memory: Addresses F0 to FF (Includes B, X and SP) |
| Bit     | Bit Number (0 to 7)  |
| ←       | Loaded with  |
| ↔       | Exchanged with   |

## Instruction Set (Continued)

### INSTRUCTION SET

|       |           |                                     |   |
|-------|-----------|-------------------------------------|---|
| ADD   | A,Meml    | ADD                                 | $A \leftarrow A + \text{Meml}$  |
| ADC   | A,Meml    | ADD with Carry                      | $A \leftarrow A + \text{Meml} + C, C \leftarrow \text{Carry}$   |
| SUBC  | A,Meml    | Subtract with Carry                 | $A \leftarrow A - \text{Meml} + C, C \leftarrow \text{Carry}$   |
| AND   | A,Meml    | Logical AND                         | $A \leftarrow A \text{ and Meml}$   |
| ANDSZ | A,Imm     | Logical AND Immed., Skip if Zero    | Skip next if $(A \text{ and Imm}) = 0$  |
| OR    | A,Meml    | Logical OR                          | $A \leftarrow A \text{ or Meml}$  |
| XOR   | A,Meml    | Logical EXclusive OR                | $A \leftarrow A \text{ xor Meml}$   |
| IFEQ  | MD,Imm    | IF Equal                            | Compare MD and Imm, Do next if $MD = \text{Imm}$  |
| IFEQ  | A,Meml    | IF Equal                            | Compare A and Meml, Do next if $A = \text{Meml}$  |
| IFNE  | A,Meml    | IF Not Equal                        | Compare A and Meml, Do next if $A \neq \text{Meml}$   |
| IFGT  | A,Meml    | IF Greater Than                     | Compare A and Meml, Do next if $A > \text{Meml}$  |
| IFBNE | #         | IF B Not Equal                      | Do next if lower 4 bits of $B \neq \text{Imm}$  |
| DRSZ  | Reg       | Decrement Reg., Skip if Zero        | $\text{Reg} \leftarrow \text{Reg} - 1$ , Skip if $\text{Reg} = 0$   |
| SBIT  | #,Mem     | Set BIT                             | 1 to bit, Mem (bit = 0 to 7 immediate)  |
| RBIT  | #,Mem     | Reset BIT                           | 0 to bit, Mem   |
| IFBIT | #,Mem     | IF BIT                              | If bit in A or Mem is true do next instruction  |
| RPND  |           | Reset PeNDing Flag                  | Reset Software Interrupt Pending Flag   |
| X     | A,Mem     | EXchange A with Memory              | $A \leftrightarrow \text{Mem}$  |
| X     | A,[X]     | EXchange A with Memory [X]          | $A \leftrightarrow [X]$   |
| LD    | A,Meml    | LoaD A with Memory                  | $A \leftarrow \text{Meml}$  |
| LD    | A,[X]     | LoaD A with Memory [X]              | $A \leftarrow [X]$  |
| LD    | B,Imm     | LoaD B with Immed.                  | $B \leftarrow \text{Imm}$   |
| LD    | Mem,Imm   | LoaD Memory Immed                   | $\text{Mem} \leftarrow \text{Imm}$  |
| LD    | Reg,Imm   | LoaD Register Memory Immed.         | $\text{Reg} \leftarrow \text{Imm}$  |
| X     | A, [B ±]  | EXchange A with Memory [B]          | $A \leftrightarrow [B], (B \leftarrow B \pm 1)$   |
| X     | A, [X ±]  | EXchange A with Memory [X]          | $A \leftrightarrow [X], (X \leftarrow X \pm 1)$   |
| LD    | A, [B ±]  | LoaD A with Memory [B]              | $A \leftarrow [B], (B \leftarrow B \pm 1)$  |
| LD    | A, [X ±]  | LoaD A with Memory [X]              | $A \leftarrow [X], (X \leftarrow X \pm 1)$  |
| LD    | [B ±],Imm | LoaD Memory [B] Immed.              | $[B] \leftarrow \text{Imm}, (B \leftarrow \pm 1)$   |
| CLR   | A         | CLear A                             | $A \leftarrow 0$  |
| INC   | A         | INCRement A                         | $A \leftarrow A + 1$  |
| DEC   | A         | DECRement A                         | $A \leftarrow A - 1$  |
| LAI   | A         | Load A InDirect from ROM            | $A \leftarrow \text{ROM (PU,A)}$  |
| DCOR  | A         | Decimal CORrect A                   | $A \leftarrow \text{BCD correction of A (follows ADC, SUBC)}$   |
| RRC   | A         | Rotate A Right thru C               | $C \leftrightarrow A7 \leftrightarrow \dots \leftrightarrow A0 \leftrightarrow C$   |
| RLC   | A         | Rotate A Left thru C                | $C \leftarrow A7 \leftarrow \dots \leftarrow A0 \leftarrow C$   |
| SWAP  | A         | SWAP nibbles of A                   | $A7 \dots A4 \leftrightarrow A3 \dots A0$   |
| SC    |           | Set C                               | $C \leftarrow 1, \text{HC} \leftarrow 1$  |
| RC    |           | Reset C                             | $C \leftarrow 0, \text{HC} \leftarrow 0$  |
| IFC   |           | IF C                                | If C is true, do next instruction   |
| IFNC  |           | IF Not C                            | If C is not true, do next instruction   |
| POP   | A         | POP the stack into A                | $\text{SP} \leftarrow \text{SP} + 1, A \leftarrow [\text{SP}]$  |
| PUSH  | A         | PUSH A onto the stack               | $[\text{SP}] \leftarrow A, \text{SP} \leftarrow \text{SP} - 1$  |
| VIS   |           | Vector to Interrupt Service Routine | $\text{PU} \leftarrow [\text{VU}], \text{PL} \leftarrow [\text{VL}]$  |
| JMPL  | Addr.     | Jump absolute Long                  | $\text{PC} \leftarrow \text{ii} (\text{ii} = 15 \text{ bits}, 0 \text{ to } 32\text{k})$  |
| JMP   | Addr.     | Jump absolute                       | $\text{PC}9 \dots 0 \leftarrow \text{i} (\text{i} = 12 \text{ bits})$   |
| JP    | Disp.     | Jump relative short                 | $\text{PC} \leftarrow \text{PC} + r (r \text{ is } -31 \text{ to } +32, \text{ except } 1)$                                     |
| JSRL  | Addr.     | Jump SubRoutine Long                | $[\text{SP}] \leftarrow \text{PL}, [\text{SP} - 1] \leftarrow \text{PU}, \text{SP} - 2, \text{PC} \leftarrow \text{ii}$         |
| JSR   | Addr      | Jump SubRoutine                     | $[\text{SP}] \leftarrow \text{PL}, [\text{SP} - 1] \leftarrow \text{PU}, \text{SP} - 2, \text{PC}9 \dots 0 \leftarrow \text{i}$ |
| JID   |           | Jump InDirect                       | $\text{PL} \leftarrow \text{ROM (PU,A)}$  |
| RET   |           | RETurn from subroutine              | $\text{SP} + 2, \text{PL} \leftarrow [\text{SP}], \text{PU} \leftarrow [\text{SP} - 1]$   |
| RETSK |           | RETurn and SKip                     | $\text{SP} + 2, \text{PL} \leftarrow [\text{SP}], \text{PU} \leftarrow [\text{SP} - 1]$   |
| RETI  |           | RETurn from Interrupt               | $\text{SP} + 2, \text{PL} \leftarrow [\text{SP}], \text{PU} \leftarrow [\text{SP} - 1], \text{GIE} \leftarrow 1$                |
| INTR  |           | Generate an Interrupt               | $[\text{SP}] \leftarrow \text{PL}, [\text{SP} - 1] \leftarrow \text{PU}, \text{SP} - 2, \text{PC} \leftarrow 0\text{FF}$        |
| NOP   |           | No OPeration                        | $\text{PC} \leftarrow \text{PC} + 1$  |

## Instruction Execution Time

Most instructions are single byte (with immediate addressing mode instructions taking two bytes).

Most single byte instructions take one cycle time to execute.

Skipped instructions require x number of cycles to be skipped, where x equals the number of bytes in the skipped instruction opcode.

See the BYTES and CYCLES per INSTRUCTION table for details.

### Bytes and Cycles per Instruction

The following table shows the number of bytes and cycles for each instruction in the format of byte/cycle.

#### Arithmetic and Logic Instructions

|       | [B] | Direct | Immed. |
|-------|-----|--------|--------|
| ADD   | 1/1 | 3/4    | 2/2    |
| ADC   | 1/1 | 3/4    | 2/2    |
| SUBC  | 1/1 | 3/4    | 2/2    |
| AND   | 1/1 | 3/4    | 2/2    |
| OR    | 1/1 | 3/4    | 2/2    |
| XOR   | 1/1 | 3/4    | 2/2    |
| IFEQ  | 1/1 | 3/4    | 2/2    |
| IFNE  | 1/1 | 3/4    | 2/2    |
| IFGT  | 1/1 | 3/4    | 2/2    |
| IFBNE | 1/1 |        |        |
| DRSZ  |     | 1/3    |        |
| SBIT  | 1/1 | 3/4    |        |
| RBIT  | 1/1 | 3/4    |        |
| IFBIT | 1/1 | 3/4    |        |

|      |     |
|------|-----|
| RPND | 1/1 |
|------|-----|

#### Instructions Using A & C

|       |     |
|-------|-----|
| CLRA  | 1/1 |
| INCA  | 1/1 |
| DECA  | 1/1 |
| LAID  | 1/3 |
| DCOR  | 1/1 |
| RRCA  | 1/1 |
| RLCA  | 1/1 |
| SWAPA | 1/1 |
| SC    | 1/1 |
| RC    | 1/1 |
| IFC   | 1/1 |
| IFNC  | 1/1 |
| PUSHA | 1/3 |
| POPA  | 1/3 |
| ANDSZ | 2/2 |

#### Transfer of Control Instructions

|       |     |
|-------|-----|
| JMPL  | 3/4 |
| JMP   | 2/3 |
| JP    | 1/3 |
| JSRL  | 3/5 |
| JSR   | 2/5 |
| JID   | 1/3 |
| VIS   | 1/5 |
| RET   | 1/5 |
| RETSK | 1/5 |
| RETI  | 1/5 |
| INTR  | 1/7 |
| NOP   | 1/1 |

#### Memory Transfer Instructions

|              | Register Indirect |     | Direct | Immed. | Register Indirect Auto Incr. & Decr. |          |
|--------------|-------------------|-----|--------|--------|--------------------------------------|----------|
|              | [B]               | [X] |        |        | [B+, B-]                             | [X+, X-] |
| X A,*        | 1/1               | 1/3 | 2/3    |        | 1/2                                  | 1/3      |
| LD A,*       | 1/1               | 1/3 | 2/3    | 2/2    | 1/2                                  | 1/3      |
| LD B, Imm    |                   |     |        | 1/1    |                                      |          |
| LD B, Imm    |                   |     |        | 2/2    |                                      |          |
| LD Mem, Imm  | 2/2               |     | 3/3    |        | 2/2                                  |          |
| LD Reg, Imm  |                   |     | 2/3    |        |                                      |          |
| IFEQ MD, Imm |                   |     | 3/3    |        |                                      |          |

(IF B < 16)  
(IF B > 15)

\* = > Memory location addressed by B or X or directly.

## Opcode Table

Upper Nibble Along X-Axis

Lower Nibble Along Y-Axis

| F      | E      | D           | C        | B          | A           | 9           | 8          |   |
|--------|--------|-------------|----------|------------|-------------|-------------|------------|---|
| JP -15 | JP -31 | LD 0F0, # i | DRSZ 0F0 | RRCA       | RC          | ADC A, #i   | ADC A,[B]  | 0 |
| JP -14 | JP -30 | LD 0F1, # i | DRSZ 0F1 | *          | SC          | SUBC A, #i  | SUB A,[B]  | 1 |
| JP -13 | JP -29 | LD 0F2, # i | DRSZ 0F2 | X A, [X+]  | X A,[B+]    | IFEQ A, #i  | IFEQ A,[B] | 2 |
| JP -12 | JP -28 | LD 0F3, # i | DRSZ 0F3 | X A, [X-]  | X A,[B-]    | IFGT A, #i  | IFGT A,[B] | 3 |
| JP -11 | JP -27 | LD 0F4, # i | DRSZ 0F4 | VIS        | LAI         | ADD A, #i   | ADD A,[B]  | 4 |
| JP -10 | JP -26 | LD 0F5, # i | DRSZ 0F5 | RPND       | JID         | AND A, #i   | AND A,[B]  | 5 |
| JP -9  | JP -25 | LD 0F6, # i | DRSZ 0F6 | X A,[X]    | X A,[B]     | XOR A, #i   | XOR A,[B]  | 6 |
| JP -8  | JP -24 | LD 0F7, # i | DRSZ 0F7 | *          | *           | OR A, #i    | OR A,[B]   | 7 |
| JP -7  | JP -23 | LD 0F8, # i | DRSZ 0F8 | NOP        | RLCA        | LD A, #i    | IFC        | 8 |
| JP -6  | JP -22 | LD 0F9, # i | DRSZ 0F9 | IFNE A,[B] | IFEQ Md, #i | IFNE A, #i  | IFNC       | 9 |
| JP -5  | JP -21 | LD 0FA, # i | DRSZ 0FA | LD A,[X+]  | LD A,[B+]   | LD [B+], #i | INCA       | A |
| JP -4  | JP -20 | LD 0FB, # i | DRSZ 0FB | LD A,[X-]  | LD A,[B-]   | LD [B-], #i | DECA       | B |
| JP -3  | JP -19 | LD 0FC, # i | DRSZ 0FC | LD Md, #i  | JMPL        | X A, Md     | POPA       | C |
| JP -2  | JP -18 | LD 0FD, # i | DRSZ 0FD | DIR        | JSRL        | LD A, Md    | RETSK      | D |
| JP -1  | JP -17 | LD 0FE, # i | DRSZ 0FE | LD A,[X]   | LD A,[B]    | LD [B], #i  | RET        | E |
| JP -0  | JP -16 | LD 0FF, # i | DRSZ 0FF | *          | *           | LD B, #i    | RETI       | F |

## Opcode Table (Continued)

Upper Nibble Along X-Axis

Lower Nibble Along Y-Axis

| 7              | 6              | 5         | 4        | 3                | 2                | 1       | 0       |   |
|----------------|----------------|-----------|----------|------------------|------------------|---------|---------|---|
| IFBIT<br>0,[B] | ANDSZ<br>A, #i | LD B, #0F | IFBNE 0  | JSR<br>x000-x0FF | JMP<br>x000-x0FF | JP + 17 | INTR    | 0 |
| IFBIT<br>1,[B] | *              | LD B, #0E | IFBNE 1  | JSR<br>x100-x1FF | JMP<br>x100-x1FF | JP + 18 | JP + 2  | 1 |
| IFBIT<br>2,[B] | *              | LD B, #0D | IFBNE 2  | JSR<br>x200-x2FF | JMP<br>x200-x2FF | JP + 19 | JP + 3  | 2 |
| IFBIT<br>3,[B] | *              | LD B, #0C | IFBNE 3  | JSR<br>x300-x3FF | JMP<br>x300-x3FF | JP + 20 | JP + 4  | 3 |
| IFBIT<br>4,[B] | CLRA           | LD B, #0B | IFBNE 4  | JSR<br>x400-x4FF | JMP<br>x400-x4FF | JP + 21 | JP + 5  | 4 |
| IFBIT<br>5,[B] | SWAPA          | LD B, #0A | IFBNE 5  | JSR<br>x500-x5FF | JMP<br>x500-x5FF | JP + 22 | JP + 6  | 5 |
| IFBIT<br>6,[B] | DCORA          | LD B, #09 | IFBNE 6  | JSR<br>x600-x6FF | JMP<br>x600-x6FF | JP + 23 | JP + 7  | 6 |
| IFBIT<br>7,[B] | PUSHA          | LD B, #08 | IFBNE 7  | JSR<br>x700-x7FF | JMP<br>x700-x7FF | JP + 24 | JP + 8  | 7 |
| SBIT<br>0,[B]  | RBIT<br>0,[B]  | LD B, #07 | IFBNE 8  | JSR<br>x800-x8FF | JMP<br>x800-x8FF | JP + 25 | JP + 9  | 8 |
| SBIT<br>1,[B]  | RBIT<br>1,[B]  | LD B, #06 | IFBNE 9  | JSR<br>x900-x9FF | JMP<br>x900-x9FF | JP + 26 | JP + 10 | 9 |
| SBIT<br>2,[B]  | RBIT<br>2,[B]  | LD B, #05 | IFBNE 0A | JSR<br>xA00-xAFF | JMP<br>xA00-xAFF | JP + 27 | JP + 11 | A |
| SBIT<br>3,[B]  | RBIT<br>3,[B]  | LD B, #04 | IFBNE 0B | JSR<br>xB00-xBFF | JMP<br>xB00-xBFF | JP + 28 | JP + 12 | B |
| SBIT<br>4,[B]  | RBIT<br>4,[B]  | LD B, #03 | IFBNE 0C | JSR<br>xC00-xCFF | JMP<br>xC00-xCFF | JP + 29 | JP + 13 | C |
| SBIT<br>5,[B]  | RBIT<br>5,[B]  | LD B, #02 | IFBNE 0D | JSR<br>xD00-xDFF | JMP<br>xD00-xDFF | JP + 30 | JP + 14 | D |
| SBIT<br>6,[B]  | RBIT<br>6,[B]  | LD B, #01 | IFBNE 0E | JSR<br>xE00-xEFF | JMP<br>xE00-xEFF | JP + 31 | JP + 15 | E |
| SBIT<br>7,[B]  | RBIT<br>7,[B]  | LD B, #00 | IFBNE 0F | JSR<br>xF00-xFFF | JMP<br>xF00-xFFF | JP + 32 | JP + 16 | F |

Where,

i is the immediate data

Md is a directly addressed memory location

\* is an unused opcode

**Note:** The opcode 60 Hex is also the opcode for IFBIT #i,A



## Mask Options

The mask programmable options are shown below. The options are programmed at the same time as the ROM pattern submission.

### OPTION 1: CLOCK CONFIGURATION

- = 1      Crystal Oscillator (CKI/10)  
            G7 (CK0) is clock generator  
            output to crystal/resonator  
            CKI is the clock input
- = 2      Single-pin RC controlled  
            oscillator (CKI/10)  
            G7 is available as a HALT  
            restart and/or general purpose  
            input

### OPTION 2: HALT

- = 1      Enable HALT mode
- = 2      Disable HALT mode

### OPTION 3: BONDING

- = 1      44-Pin PCC
- = 2      40-Pin DIP
- = 3      N.A.
- = 4      28-Pin DIP
- = 5      28-Pin S0

## Development Support

### SUMMARY

- iceMASTER™: IM-COP8/400—Full feature in-circuit emulation for all COP8 products. A full set of COP8 Basic and Feature Family device and package specific probes are available.
- COP8 Debug Module: Moderate cost in-circuit emulation and development programming unit.
- COP8 Evaluation and Programming Unit: EPU-COP888GG—low cost in-circuit simulation and development programming unit.
- Assembler: COP8-DEV-IBMA. A DOS installable cross development Assembler, Linker, Librarian and Utility Software Development Tool Kit.
- C Compiler: COP8C. A DOS installable cross development Software Tool kit.
- OPT/EPROM Programmer Support: Covering needs from engineering prototype, pilot production to full production environments.

## Development Support (Continued)

### iceMASTER (IM) IN-CIRCUIT EMULATION

The iceMASTER IM-COP8/400 is a full feature, PC based, in-circuit emulation tool developed and marketed by Meta-Link Corporation to support the whole COP8 family of products. National is a resale vendor for these products.

See *Figure 19* for configuration.

The iceMASTER IM-COP8/400 with its device specific COP8 Probe provides a rich feature set for developing, testing and maintaining product:

- Real-time in-circuit emulation; full 2.4V–5.5V operation range, full DC-10 MHz clock. Chip options are programmable or jumper selectable.
- Direct connection to application board by package compatible socket or surface mount assembly.
- Full 32 kbyte of loadable programming space that overlays (replaces) the on-chip ROM or EPROM. On-chip RAM and I/O blocks are used directly or recreated on the probe as necessary.
- Full 4k frame synchronous trace memory. Address, instruction, and 8 unspecified, circuit connectable trace lines. Display can be HLL source (e.g., C source), assembly or mixed.
- A full 64k hardware configurable break, trace on, trace off control, and pass count increment events.
- Tool set integrated interactive symbolic debugger—supports both assembler (COFF) and C Compiler (.COD) linked object formats.
- Real time performance profiling analysis; selectable bucket definition.
- Watch windows, content updated automatically at each execution break.
- Instruction by instruction memory/register changes displayed on source window when in single step operation.

- Single base unit and debugger software reconfigurable to support the entire COP8 family; only the probe personality needs to change. Debugger software is processor customized, and reconfigured from a master model file.
- Processor specific symbolic display of registers and bit level assignments, configured from master model file.
- Halt/Idle mode notification.
- On-line HELP customized to specific processor using master model file.
- Includes a copy of COP8-DEV-IBMA assembler and linker SDK.

#### IM Order Information

| Base Unit              |  |
|------------------------|--|
| IM-COP8/400-1          | iceMASTER Base Unit, 110V Power Supply |
| IM-COP8/400-2          | iceMASTER Base Unit, 220V Power Supply |
| iceMASTER Probe        |  |
| MHW-884CL28DWPC        | 28 DIP                                 |
| MHW-888CL40DWPC        | 40 DIP                                 |
| MHW-888CL44PWPC        | 44 PLCC                                |
| Adapter for SO package |  |
| MHW-SO -SOIC28         | 28 SO                                  |

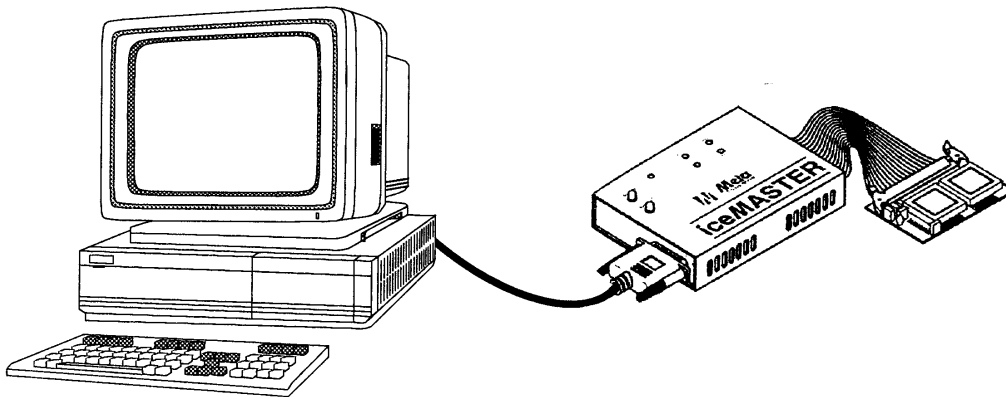


FIGURE 19. COP8 iceMASTER Environment

TL/DD/9766-35

## Development Support (Continued)

### IceMASTER DEBUG MODULE (DM)

The iceMASTER IM-COP8/400 is a PC based, combination in-circuit emulation tool and COP8 based OPT/EPROM programming tool developed and marketed by MetaLink Corporation to support the whole COP8 family of products. National is a resale vendor for these products.

See *Figure 20* for configuration.

The iceMASTER Debug Module is a moderate cost development tool. It has the capability of in-circuit emulation for a specific COP8 microcontroller and in addition serves as a programming tool for COP8 OTP and EPROM product families. Summary of features is as follows:

- Real-time in-circuit emulation; full operating voltage range operation, full DC-10 MHz clock.
- All processor I/O pins can be cabled to an application development board with package compatible cable to socket and surface mount assembly.
- Full 32 kbyte of loadable programming space that overlays (replaces) the on-chip ROM or EPROM. On-chip RAM and I/O blocks are used directly or recreated on the probe as necessary.
- 100 frames of synchronous trace memory. The display can be HLL source (C source), assembly or mixed. The most recent history prior to a break is available in the trace memory.
- Configured break points; uses INTR instruction which is modestly intrusive.
- Software—only supported features are selectable.
- Tool set integrated interactive symbolic debugger - supports both assembler (COFF) and C Compiler (.COD) SDK linked object formats.
- Instruction by instruction memory/register changes displayed when in single step operation.

- Debugger software is processed customized, and reconfigured from a master model file.
- Processor specific symbolic display of registers and bit level assignments, configured from master model file.
- Halt/Idle mode notification.
- Programming menu supports full product line of programmable OTP and EPROM COP8 products. Program data is taken directly from the overlay RAM.
- Programming of 44PLCC and 68PLCC parts requires external programming adapters.
- Includes wallmount power supply.
- On-board  $V_{PP}$  generator from 5V input or connection to external supply supported. Requires  $V_{PP}$  level adjustment per the family programming specification (correct level is provided on an on-screen pop-down display).
- ON-Line HELP customized to specific processor using master model file.
- Includes a copy of COP8-DEV-IBMA assembler and linker SDK.

#### DM Order Information

| Debug Module Unit      |         |
|------------------------|---------|
| COP8-DM/888CF          |         |
| Cable Adapters         |         |
| DM-COP8/28D            | 28 DIP  |
| DM-COP8/40D            | 40 DIP  |
| DM-COP8/44P            | 44 PLCC |
| Adapter for SO package |         |
| MHW-SO -SOIC28         | 28 SO   |

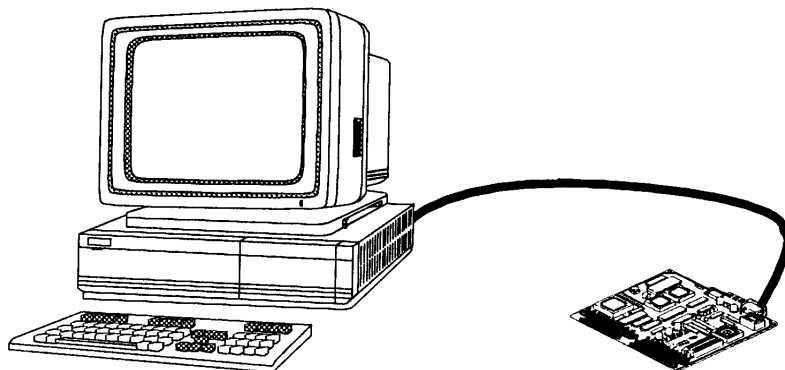


FIGURE 20. COP8-DM Environment

TL/DD/9766-36

## Development Support (Continued)

### COP8 ASSEMBLER/LINKER SOFTWARE DEVELOPMENT TOOL KIT

National Semiconductor offers a relocateable COP8 macro cross assembler, linker, librarian and utility software development tool kit. Features are summarized as follows:

- Basic and Feature Family instruction set by "device" type
- Nested macro capability.
- Extensive set of assembler directives.
- Supported on PC/DOS platform.
- Generates National standard COFF output files.
- Integrated Linker and Librarian.
- Integrated utilities to generate ROM code file outputs.
- DUMPCOFF utility.

This product is integrated as a part of MetaLink tools as a development kit, fully supported by the MetaLink debugger. It may be ordered separately or it is bundled with the MetaLink products at no additional cost.

#### Order Information

| Assembler SDK: |   |
|----------------|---|
| COP8-DEV-IBMA  | Assembler SDK on installable 3.5" PC/DOS Floppy Disk Drive format. Periodic upgrades and most recent version is available on National's BBS and Internet. |

### COP8 C COMPILER

A C Compiler is developed and marketed by Byte Craft Limited. The COP8C compiler is a fully integrated development tool specifically designed to support the compact embedded configuration of the COP8 family of products.

Features are summarized as follows:

- ANSI C with some restrictions and extensions that optimize development for the COP8 embedded application.
- BITS data type extension. Register declaration #pragma with direct bit level definitions.
- C language support for interrupt routines.
- Expert system, rule based code generation and optimization.
- Performs consistency checks against the architectural definitions of the target COP8 device.
- Generates program memory code.
- Supports linking of compiled object or COP8 assembled object formats.
- Global optimization of linked code.
- Symbolic debug load format fully source level supported by the MetaLink debugger.

#### Approved List

| Manufacturer    | North America   | Europe                                  | Asia                                    |
|-----------------|---|---|---|
| BP Microsystems | (800) 225-2102<br>(713) 688-4600<br>Fax: (713) 688-0920 | +49-8152-4183<br>+49-8856-932616        | +852-234-16611<br>+852-2710-8121        |
| Data I/O        | (800) 426-1045<br>(206) 881-6444<br>Fax: (206) 882-1043 | +44-0734-440011                         | Call North America                      |
| HI-LO           | (510) 623-8860  | Call Asia                               | +886-2-764-0215<br>Fax: +886-2-756-6403 |
| ICE Technology  | (800) 624-8949<br>(919) 430-7915                        | +44-1226-767404<br>Fax: 0-1226-370-434  |   |
| MetaLink        | (800) 638-2423<br>(602) 926-0797<br>Fax: (602) 693-0681 | +49-80 9156 96-0<br>Fax: +49-80 9123 86 | +852-737-1800                           |
| Systems General | (408) 263-6667  | +41-1-9450300                           | +886-2-917-3005<br>Fax: +886-2-911-1283 |
| Needhams        | (916) 924-8037<br>Fax: (916) 924-8065                   |   |   |

## Development Support (Continued)

### SINGLE CHIP OTP/EMULATOR SUPPORT

The COP8 family is supported by single chip OTP emulators. For detailed information refer to the emulator specific datasheet and the emulator selection table below:

#### OTP Emulator Ordering Information

| Device Number  | Clock Option | Package | Emulates |
|----------------|--------------|---------|----------|
| COP87L84CLN-XE | Crystal      | 28 DIP  | COP884CL |
| COP87L84CLM-XE | Crystal      | 28 SO   | COP884CL |
| COP87L88CLN-XE | Crystal      | 40 DIP  | COP888CL |
| COP87L88CLV-XE | Crystal      | 44 PLCC | COP888CL |

### INDUSTRY WIDE OTP/EPROM PROGRAMMING SUPPORT

Programming support, in addition to the MetaLink development tools, is provided by a full range of independent approved vendors to meet the needs from the engineering laboratory to full production.

#### AVAILABLE LITERATURE

For more information, please see the COP8 Basic Family User's Manual, Literature Number 620895, COP8 Feature Family User's Manual, Literature Number 620897 and National's Family of 8-bit Microcontrollers COP8 Selection Guide, Literature Number 630009.

#### DIAL-A-HELPER SERVICE

Dial-A-Helper is a service provided by the Microcontroller Applications group. The Dial-A-Helper is an Electronic Information System that may be accessed as a Bulletin Board System (BBS) via data modem, as an FTP site on the Internet via standard FTP client application or as an FTP site on the Internet using a standard Internet browser such as Netscape or Mosaic.

The Dial-A-Helper system provides access to an automated information storage and retrieval system. The system capabilities include a MESSAGE SECTION (electronic mail, when accessed as a BBS) for communications to and from the Microcontroller Applications Group and a FILE SECTION which consists of several file areas where valuable application software and utilities could be found.

#### DIAL-A-HELPER BBS via a Standard Modem

Modem: CANADA/U.S.: (800) NSC-MICRO  
(800) 672-6427

EUROPE: (+ 49) 0-8141-351332

Baud: 14.4k

Set-Up: Length: 8-Bit  
Parity: None  
Stop Bit: 1

Operation: 24 Hours, 7 Days

#### DIAL-A-HELPER via FTP

ftp nscmicro.nsc.com  
user: anonymous  
password: username@yourhost.site.domain

#### DIAL-A-HELPER via a WorldWide Web Browser

ftp://nscmicro.nsc.com

#### National Semiconductor on the WorldWide Web

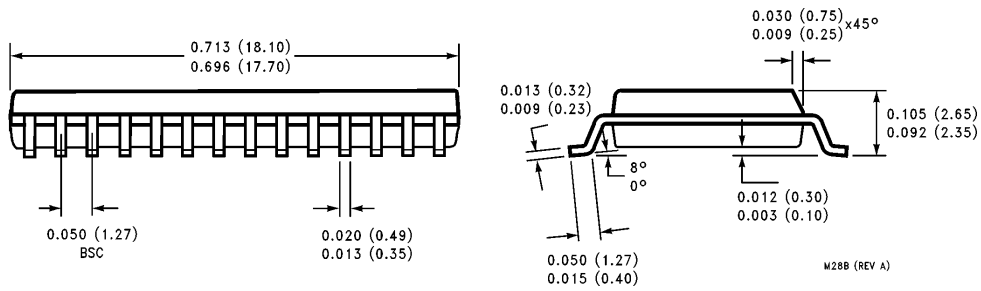
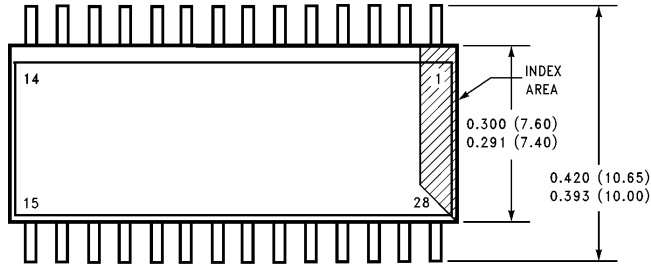
See us on the WorldWide Web at: <http://www.national.com>

#### CUSTOMER RESPONSE CENTER

Complete product information and technical support is available from National's customer response centers.

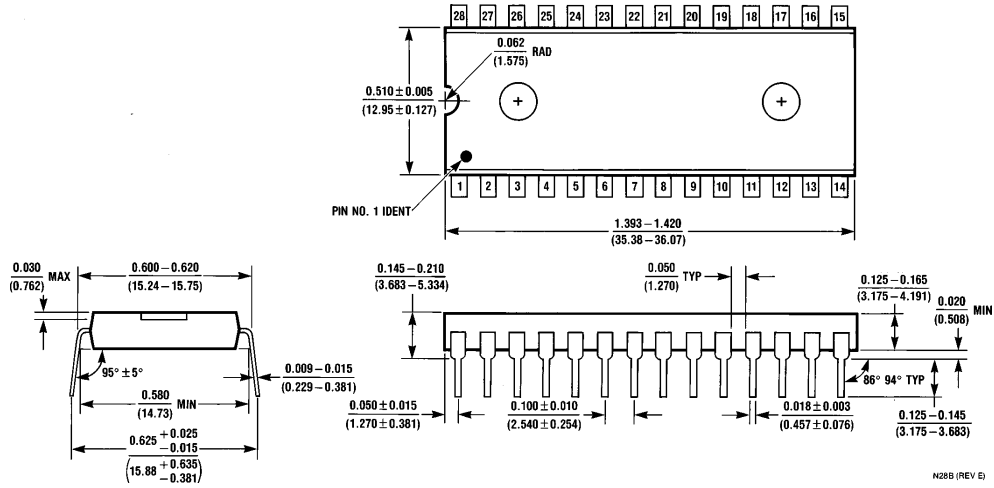
|              |                |                        |
|--------------|----------------|------------------------|
| CANADA/U.S.: | Tel:           | (800) 272-9959         |
|              | email:         | support@tevm2.nsc.com  |
| EUROPE       | email:         | europa.support@nsc.com |
|              | Deutsch Tel:   | + 49 (0) 180-530 85 85 |
|              | English Tel:   | + 49 (0) 180-532 78 32 |
|              | Francais Tel:  | + 49 (0) 180-532 93 58 |
|              | Italiano Tel:  | + 49 (0) 180-534 16 80 |
| JAPAN:       | Tel:           | + 81-043-299-2309      |
| S.E. ASIA:   | Beijing Tel:   | (+ 86)10-6856-8601     |
|              | Shanghai Tel:  | (+ 86)21-6415-4092     |
|              | Hong KongTel:  | (+ 852) 2737-1600      |
|              | Korea Tel:     | (+ 82) 2-3771-6909     |
|              | Malaysia Tel:  | (+ 60-4) 644-9061      |
|              | Singapore Tel: | (+ 65) 255-2226        |
|              | Taiwan Tel:    | + 886-2-521-3288       |
| AUSTRALIA:   | Tel:           | (+ 61) 3-9558-9999     |
| INDIA:       | Tel:           | (+ 91) 80-559-9467     |

**Physical Dimensions** inches (millimeters) unless otherwise noted

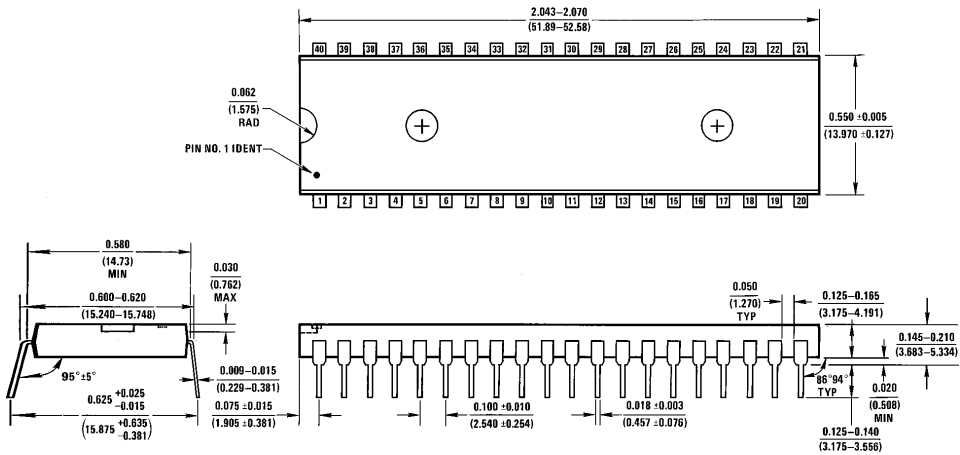


**28-Lead Small Outline Package (M)**  
**Order Number COP684CL-XXX/WM, COP884CL-XXX/WM, COP984CL-XXX/WM or COP984CLH-XXX/WM**  
**NS Package Number M28B**

**Physical Dimensions** inches (millimeters) unless otherwise noted (Continued)

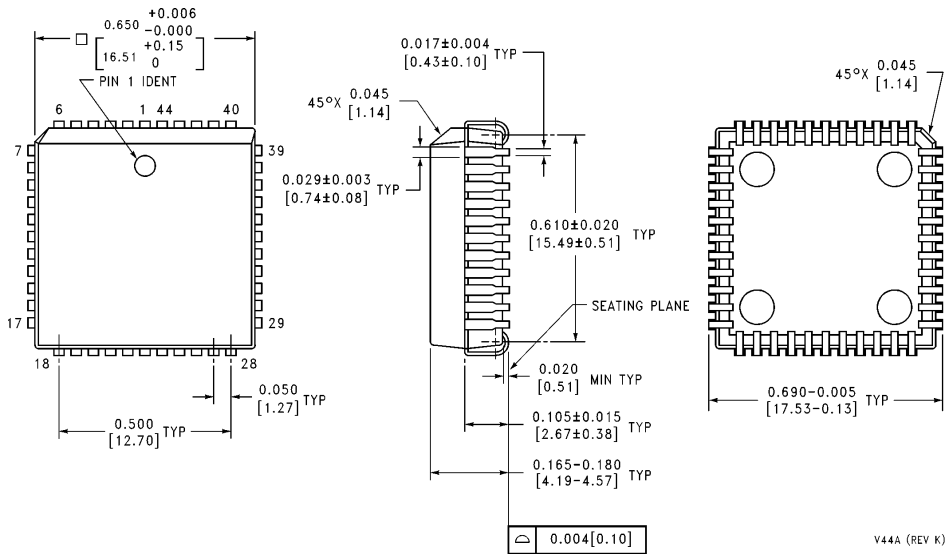


**Molded Dual-In-Line Package (N)**  
 Order Number COP684CL-XXX/N, COP884CL-XXX/N, COP984CL-XXX/N or COP984CLH-XXX/N  
 NS Package Number N28B



**Molded Dual-In-Line Package (N)**  
 Order Number COP688CL-XXX/N, COP888CL-XXX/N, COP988CL-XXX/N or COP988CLH-XXX/N  
 NS Package Number N40A

**Physical Dimensions** inches (millimeters) unless otherwise noted (Continued)



V44A (REV K)

**Plastic Leaded Chip Carrier (V)**

**Order Number COP688CL-XXX/V, COP888CL-XXX/V, COP988CL-XXX/V, COP988CLH-XXX/V  
 NS Package Number V44A**

**LIFE SUPPORT POLICY**

NATIONAL'S PRODUCTS ARE NOT AUTHORIZED FOR USE AS CRITICAL COMPONENTS IN LIFE SUPPORT DEVICES OR SYSTEMS WITHOUT THE EXPRESS WRITTEN APPROVAL OF THE PRESIDENT OF NATIONAL SEMICONDUCTOR CORPORATION. As used herein:

1. Life support devices or systems are devices or systems which, (a) are intended for surgical implant into the body, or (b) support or sustain life, and whose failure to perform, when properly used in accordance with instructions for use provided in the labeling, can be reasonably expected to result in a significant injury to the user.
2. A critical component is any component of a life support device or system whose failure to perform can be reasonably expected to cause the failure of the life support device or system, or to affect its safety or effectiveness.



**National Semiconductor Corporation**  
 1111 West Bardin Road  
 Arlington, TX 76017  
 Tel: 1(800) 272-9959  
 Fax: 1(800) 737-7018

<http://www.national.com>

**National Semiconductor Europe**

Fax: +49 (0) 180-530 85 86  
 Email: [europe.support@nsc.com](mailto:europe.support@nsc.com)  
 Deutsch Tel: +49 (0) 180-530 85 85  
 English Tel: +49 (0) 180-532 78 32  
 Français Tel: +49 (0) 180-532 93 58  
 Italiano Tel: +49 (0) 180-534 16 80

**National Semiconductor Hong Kong Ltd.**

13th Floor, Straight Block,  
 Ocean Centre, 5 Canton Rd.  
 Tsimshatsui, Kowloon  
 Hong Kong  
 Tel: (852) 2737-1600  
 Fax: (852) 2736-9960

**National Semiconductor Japan Ltd.**

Tel: 81-043-299-2308  
 Fax: 81-043-299-2408