

## DS3487 Quad TRI-STATE® Line Driver

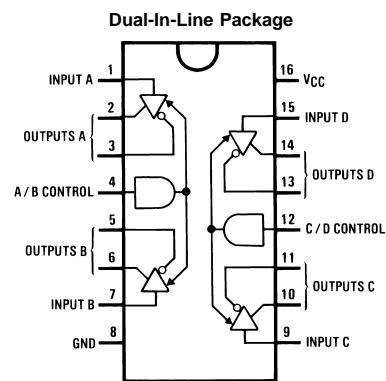
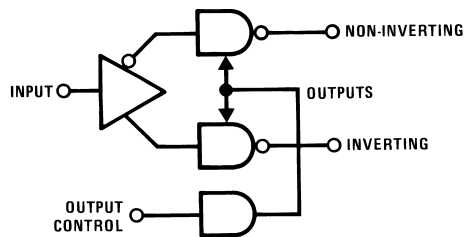
### General Description

National's quad RS-422 driver features four independent drivers which comply with EIA Standards for the electrical characteristics of balanced voltage digital interface circuits. The outputs are TRI-STATE structures which are forced to a high impedance state when the appropriate output control pin reaches a logic zero condition. All input pins are PNP buffered to minimize input loading for either logic one or logic zero inputs.

### Features

- Four independent drivers
- TRI-STATE® outputs
- Fast propagation times (typ 10 ns)
- TTL compatible
- 5V supply
- Output rise and fall times less than 15 ns
- Pin compatible with DS8924 and MC3487

### Block and Connection Diagrams



**Top View**  
Order Number DS3487M or DS3487N  
See NS Package Number M16A or N16E

### Truth Table

Input	Control Input	Non-Inverting Output	Inverting Output
H	H	H	L
L	H	L	H
X	L	Z	Z

L = Low logic state  
H = High logic state  
X = Irrelevant  
Z = TRI-STATE (high impedance)

TRI-STATE® is a registered trademark of National Semiconductor Corporation.

## Absolute Maximum Ratings (Note 2)

(Soldering, 4 seconds)

260°C

If Military/Aerospace specified devices are required, please contact the National Semiconductor Sales Office/Distributors for availability and specifications.

Supply Voltage	8V
Input Voltage	5.5V
Storage Temperature	-65°C to +150°C
Maximum Power Dissipation (Note 1) at 25°C	
Molded DIP Package	1476 mW
SO Package	1051 mW
Lead Temperature	

## Operating Conditions

	Min	Max	Units
Supply Voltage, $V_{CC}$			
DS3487	4.75	5.25	V
Temperature ( $T_A$ )			
DS3487	0	+70	°C

Note 1: Derate DIP molded package 11.9 mW/°C above 25°C. Derate SO package 8.41 mW/°C above 25°C.

## Electrical Characteristics (Notes 3, 4, 5, 6)

Symbol	Parameter	Conditions	Min	Typ	Max	Units		
$V_{IL}$	Input Low Voltage				0.8	V		
$V_{IH}$	Input High Voltage		2.0			V		
$I_{IL}$	Input Low Current	$V_{IL} = 0.5V$			-200	µA		
$I_{IH}$	Input High Current				$V_{IH} = 2.7V$	50	µA	
					$V_{IH} = 5.5V$	100	µA	
$V_{CL}$	Input Clamp Voltage	$I_{CL} = -18\text{ mA}$			-1.5	V		
$V_{OL}$	Output Low Voltage	$I_{OL} = 48\text{ mA}$			0.5	V		
$V_{OH}$	Output High Voltage	$I_{OH} = -20\text{ mA}$	2.5			V		
$I_{OS}$	Output Short-Circuit Current		-40		-140	mA		
$I_{OZ}$	Output Leakage Current (TRI-STATE)				$V_O = 0.5V$	-100	µA	
					$V_O = 5.5V$	100	µA	
$I_{OFF}$	Output Leakage Current Power OFF	$V_{CC} = 0V$			$V_O = 6V$	100	µA	
					$V_O = -0.25V$	-100	µA	
$ V_{OS} - \bar{V}_{OS} $	Difference in Output Offset Voltage				0.4	V		
$V_T$	Differential Output Voltage		2.0			V		
$ V_{T1} - \bar{V}_{T1} $	Difference in Differential Output Voltage				0.4	V		
$I_{CC}$	Power Supply Current				Active	50	80	mA
					TRI-STATE®	35	60	mA

## Switching Characteristics

$V_{CC} = 5V$ ,  $T_A = 25^\circ\text{C}$

Symbol	Parameter	Conditions	Min	Typ	Max	Units
$t_{PHL}$	Input to Output			10	15	ns
$t_{PLH}$	Input to Output			10	15	ns
$t_{THL}$	Differential Fall Time			10	15	ns
$t_{TLH}$	Differential Rise Time			10	15	ns
$t_{PHZ}$	Enable to Output	$R_L = 200\Omega$ , $C_L = 50\text{ pF}$		17	25	ns
$t_{PLZ}$	Enable to Output	$R_L = 200\Omega$ , $C_L = 50\text{ pF}$		15	25	ns
$t_{PZH}$	Enable to Output	$R_L = \infty$ , $C_L = 50\text{ pF}$ , S1 Open		11	25	ns
$t_{PZL}$	Enable to Output	$R_L = 200\Omega$ , $C_L = 50\text{ pF}$ , S2 Open		15	25	ns

Note 2: "Absolute Maximum Ratings" are those values beyond which the safety of the device cannot be guaranteed. They are not meant to imply that the devices should be operated at these limits. The table of "Electrical Characteristics" provides conditions for actual device operation.

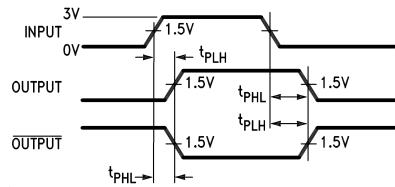
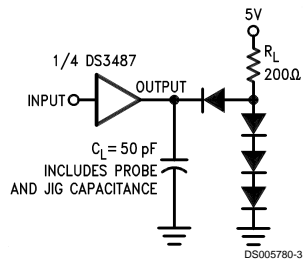
Note 3: Unless otherwise specified min/max limits apply across the 0°C to +70°C range for the DS3487. All typicals are given for  $V_{CC} = 5V$  and  $T_A = 25^\circ\text{C}$ .

Note 4: All currents into device pins are positive, all currents out of device pins as negative. All voltages are referenced to ground unless otherwise specified.

Note 5: Only one output at a time should be shorted.

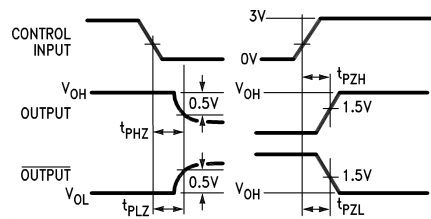
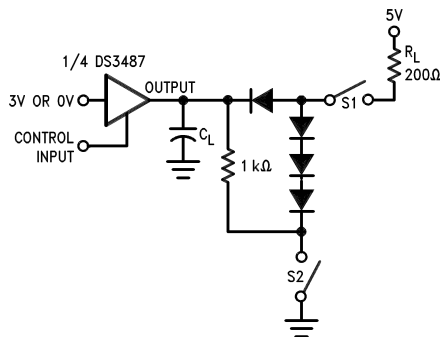
Note 6: Symbols and definitions correspond to EIA RS-422, where applicable.

## AC Test Circuits and Switching Time Waveforms



Input pulse:  $f = \text{MHz}$ , 50%;  $t_r = t_f \leq 15 \text{ ns}$ .

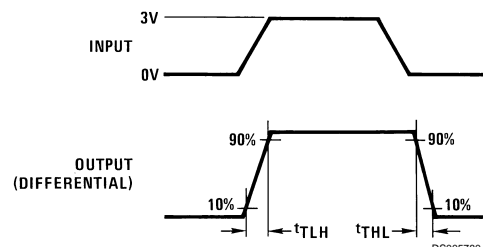
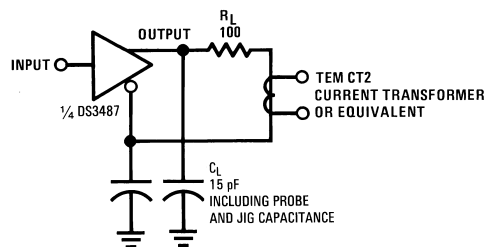
FIGURE 1. Propagation Delays



Input pulse:  $f = \text{MHz}$ , 50%;  $t_r = t_f \leq 15 \text{ ns}$ .  
 S1 = open for  $t_{PZH}$   
 S2 = open for  $t_{PZL}$

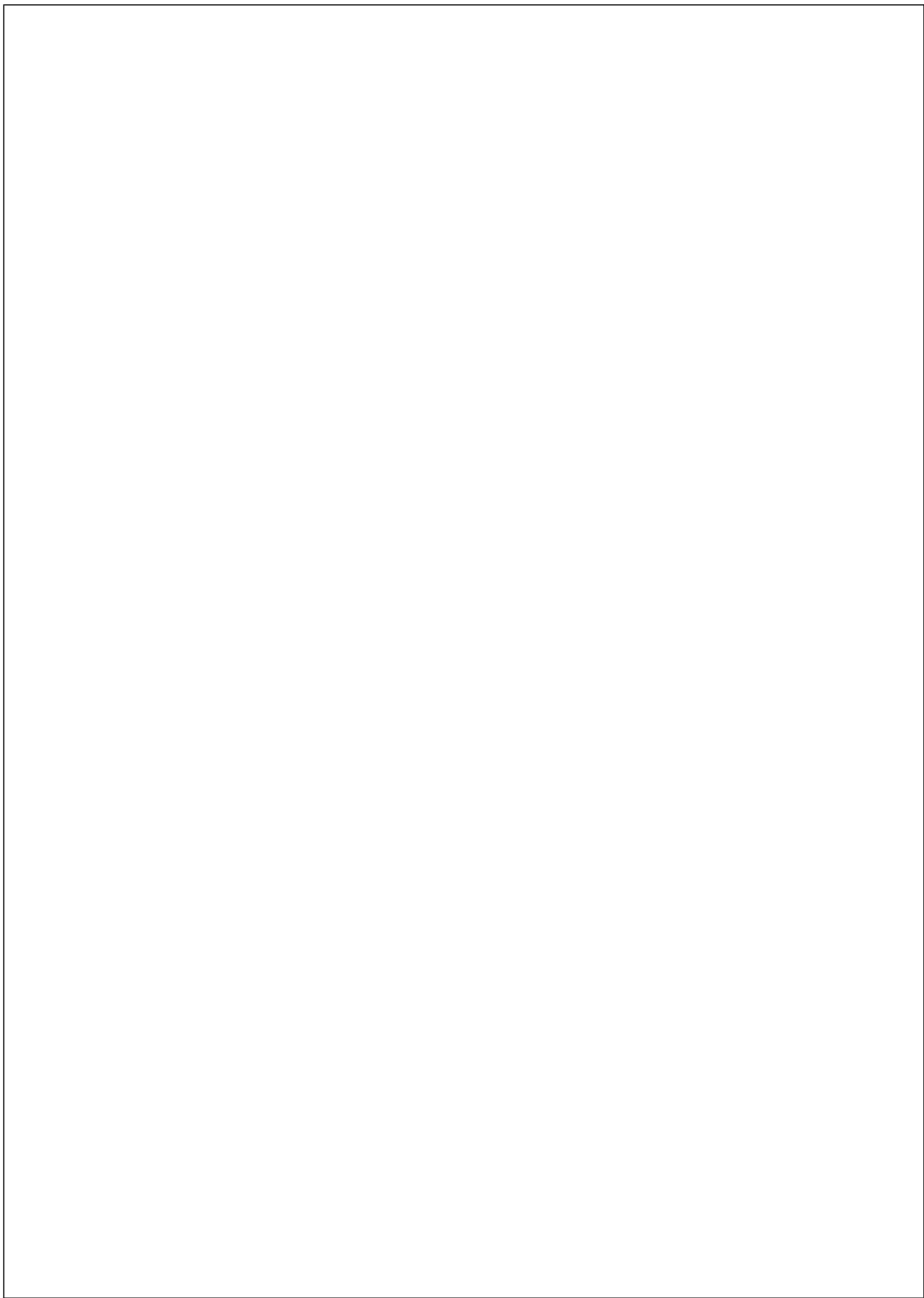
S1 and S2 closed except as noted.  
 $C_L$  includes probe and jig capacitance.

FIGURE 2. TRI-STATE Enable and Disable Delays

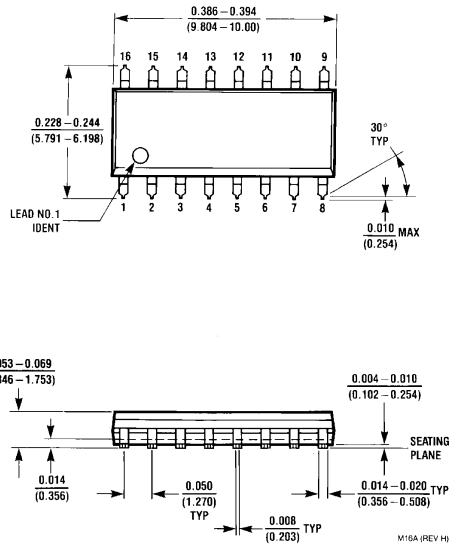


Input pulse:  $f = \text{MHz}$ , 50%;  $t_r = t_f \leq 15 \text{ ns}$ .

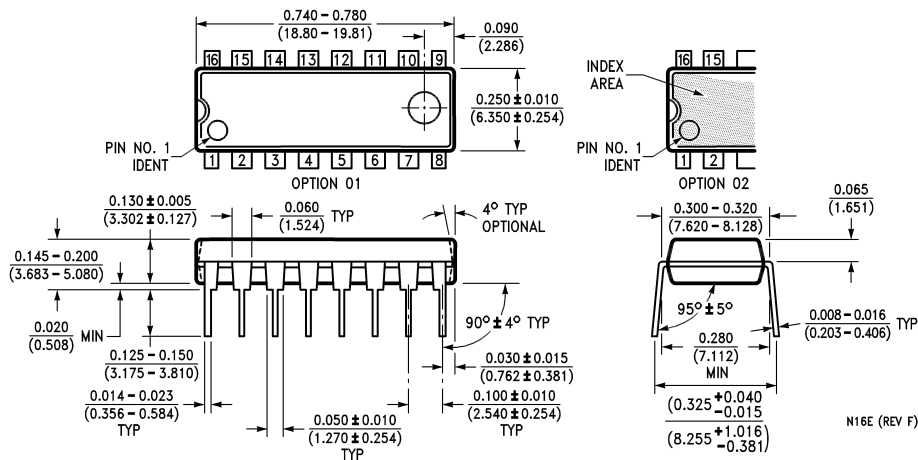
FIGURE 3. Differential Rise and Fall Times



**Physical Dimensions** inches (millimeters) unless otherwise noted



**Small Outline Package (M)**  
**Order Number DS3487M**  
**NS Package Number M16A**



**Molded Dual-In-Line Package (N)**  
**Order Number DS3487N**  
**NS Package Number N16E**

**LIFE SUPPORT POLICY**

NATIONAL'S PRODUCTS ARE NOT AUTHORIZED FOR USE AS CRITICAL COMPONENTS IN LIFE SUPPORT DEVICES OR SYSTEMS WITHOUT THE EXPRESS WRITTEN APPROVAL OF THE PRESIDENT OF NATIONAL SEMICONDUCTOR CORPORATION. As used herein:

1. Life support devices or systems are devices or systems which, (a) are intended for surgical implant into the body, or (b) support or sustain life, and whose failure to perform when properly used in accordance with instructions for use provided in the labeling, can be reasonably expected to result in a significant injury to the user.
2. A critical component in any component of a life support device or system whose failure to perform can be reasonably expected to cause the failure of the life support device or system, or to affect its safety or effectiveness.



**National Semiconductor Corporation**  
Americas  
Tel: 1-800-272-9959  
Fax: 1-800-737-7018  
Email: support@nsc.com

[www.national.com](http://www.national.com)

**National Semiconductor Europe**  
Fax: +49 (0) 1 80-530 85 86  
Email: europe.support@nsc.com  
Deutsch Tel: +49 (0) 1 80-530 85 85  
English Tel: +49 (0) 1 80-532 78 32  
Français Tel: +49 (0) 1 80-532 93 58  
Italiano Tel: +49 (0) 1 80-534 16 80

**National Semiconductor Asia Pacific Customer Response Group**  
Tel: 65-2544466  
Fax: 65-2504466  
Email: sea.support@nsc.com

**National Semiconductor Japan Ltd.**  
Tel: 81-3-5620-6175  
Fax: 81-3-5620-6179