

LM120/LM320 Series 3-Terminal Negative Regulators

General Description

The LM120 series are three-terminal negative regulators with a fixed output voltage of $-5V$, $-12V$, and $-15V$, and up to 1.5A load current capability. Where other voltages are required, the LM137 and LM137HV series provide an output voltage range of $-1.2V$ to $-47V$.

The LM120 need only one external component—a compensation capacitor at the output, making them easy to apply. Worst case guarantees on output voltage deviation due to any combination of line, load or temperature variation assure satisfactory system operation.

Exceptional effort has been made to make the LM120 Series immune to overload conditions. The regulators have current limiting which is independent of temperature, combined with thermal overload protection. Internal current limiting protects against momentary faults while thermal shutdown prevents junction temperatures from exceeding safe limits during prolonged overloads.

Although primarily intended for fixed output voltage applications, the LM120 Series may be programmed for higher output voltages with a simple resistive divider. The low quiescent drain current of the devices allows this technique to be used with good regulation.

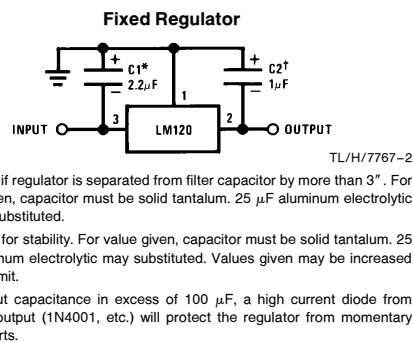
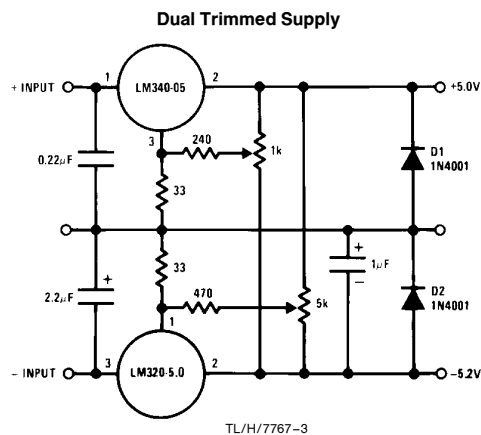
Features

- Preset output voltage error less than $\pm 3\%$
- Preset current limit
- Internal thermal shutdown
- Operates with input-output voltage differential down to 1V
- Excellent ripple rejection
- Low temperature drift
- Easily adjustable to higher output voltage

LM120 Series Packages and Power Capability

Device	Package	Rated Power Dissipation	Design Load Current
LM120/LM320	TO-3 (K)	20W	1.5A
	TO-39 (H)	2W	0.5A
LM320	TO-220 (T)	15W	1.5A
LM320M	TO-202 (P)	7.5W	0.5A

Typical Applications



— 5 Volt Regulators (Note 3)

Absolute Maximum Ratings

If Military/Aerospace specified devices are required, please contact the National Semiconductor Sales Office/Distributors for availability and specifications. (Note 5)

Power Dissipation Internally Limited
Input Voltage -25V

Input-Output Voltage Differential
Junction Temperatures See Note 1
Storage Temperature Range -65°C to +150°C
Lead Temperature (Soldering, 10 sec.) 300°C
Plastic 260°C

Electrical Characteristics

Parameter	Conditions (Note 1)	Metal Can Package												Units			
		LM120K-5.0 (TO-3)			LM320K-5.0 (TO-3)			LM120H-5.0 (TO-39)			LM320H-5.0 (TO-39)			LM320T-5.0 (TO-220)			
		Min	Typ	Max	Min	Typ	Max	Min	Typ	Max	Min	Typ	Max	Min	Typ		
Order Numbers																	
Design Output Current (I_D)																	
Device Dissipation (P_D)																	
Output Voltage	T _J = 25°C, V _{IN} = 10V, I _{LOAD} = 5 mA	-5.1	-5	-4.9	-5.1	-5	-4.8	-5.1	-5	-4.9	-5.2	-5	-4.8	-5.2	-5	-4.8	V
Line Regulation	T _J = 25°C, I _{LOAD} = 5 mA, V _{MIN} ≤ V _{IN} ≤ V _{MAX}	10	25	25	10	40	40	10	25	25	10	40	40	10	40	40	mV
Input Voltage		-25		-7	-25		-7	-25		-7	-25		-7	-25		-7.5	V
Ripple Rejection	f = 120 Hz	54	64	75	54	64	64	54	64	64	54	64	64	54	64	64	dB
Load Regulation, (Note 2)	T _J = 25°C, V _{IN} = 10V, 5 mA ≤ I _{LOAD} ≤ I _D	50	75	75	60	100	100	30	50	50	30	50	50	30	50	100	mV
Output Voltage, (Note 1)	-7.5V ≤ V _{IN} ≤ V _{MAX} , 5 mA ≤ I _{LOAD} ≤ I _D , P ≤ P _D	-5.20		-4.80	-5.25		-4.75	-5.20		-4.80	-5.25		-4.75	-5.25		-4.75	V
Quiescent Current	V _{MIN} ≤ V _{IN} ≤ V _{MAX}		1	2		1	2		1	2		1	2		1		mA
Quiescent Current Change	T _J = 25°C V _{MIN} ≤ V _{IN} ≤ V _{MAX} 5 mA ≤ I _{LOAD} ≤ I _D		0.1	0.4		0.1	0.4		0.05	0.4		0.05	0.4		0.05	0.4	mA
Output Noise Voltage	T _A = 25°C, C _L = 1 μF, I _L = 5 mA, V _{IN} = 10V, 10 Hz ≤ f ≤ 100 kHz		150		150		150		150		150		150		150		μV
Long Term Stability			5	50		5	50		5	50		5	50		5	50	mV
Thermal Resistance Junction to Case			3	3		3	3		Note 4	Note 4		Note 4	Note 4		Note 4	Note 4	°C/W
Junction to Ambient			35	35		35	35		Note 4	Note 4		Note 4	Note 4		Note 4	Note 4	°C/W

Note 1: This specification applies over -55°C ≤ T_J ≤ +150°C for the LM120 and 0°C ≤ T_J ≤ +125°C for the LM320.

Note 2: Regulation is measured at constant junction temperature. Changes in output voltage due to heating effects must be taken into account separately. To ensure constant junction temperature, low duty cycle, pulse testing is used. The LM120/LM320 series does have low thermal feedback, improving line and load regulation. On all other tests, even though power dissipation is internally limited, electrical specifications apply only up to P_D.

Note 3: For -5V 3 amp regulators, see LM145 data sheet.

Note 4: Thermal resistance of typically 85°C/W (in 400 linear feet air flow), 224°C/W (in static air) junction to ambient, of typically 21°C/W junction to case.

Note 5: Refer to RETS120-5H drawing for LM120H-5.0 or RETS120-5K drawing for LM120-5K military specifications.

— 12 Volt Regulators

Absolute Maximum Ratings

If Military/Aerospace specified devices are required, please contact the National Semiconductor Sales Office/Distributors for availability and specifications. (Note 4)

Power Dissipation Internally Limited
Input Voltage -35V

Input-Output Voltage Differential 30V
Junction Temperatures See Note 1
Storage Temperature Range -65°C to +150°C
Lead Temperature (Soldering, 10 sec.) 300°C

Electrical Characteristics

Parameter	Order Numbers	Metal Can Package						Power Plastic Package			
		LM120K-12 (TO-3)		LM320K-12 (TO-3)		LM120H-12 (TO-39)		LM320H-12 (TO-39)			
		1A 20W	1A 20W	0.2A 2W	0.2A 2W	0.2A 2W	0.2A 2W	1A 15W	1A 15W		
		Min	Typ	Max	Min	Typ	Max	Min	Typ	Max	Units
Design Output Current (I_D) Device Dissipation (P_D)	Conditions (Note 1)										
Output Voltage	T _J = 25°C, V _{IN} = 17V, I _{LOAD} = 5 mA	-12.3	-12	-11.7	-12.4	-12	-11.6	-12.3	-12	-11.6	V
Line Regulation	T _J = 25°C, I _{LOAD} = 5 mA, V _{MIN} ≤ V _{IN} ≤ V _{MAX}		4	10		4	10		4	20	mV
Input Voltage		-32		-14	-32		-14	-32		-14.5	V
Ripple Rejection	f = 120 Hz	56	80	80	56	80	80	56	80	80	dB
Load Regulation, (Note 2)	T _J = 25°C, V _{IN} = 17V, 5 mA ≤ I _{LOAD} ≤ I _D		30	80		30	80		10	40	mV
Output Voltage, (Note 1)	14.5V ≤ V _{IN} ≤ V _{MAX} , 5 mA ≤ I _{LOAD} ≤ I _D , P ≤ P _D	-12.5		-11.5	-12.6		-11.4	-12.5		-11.4	V
Quiescent Current	V _{MIN} ≤ V _{IN} ≤ V _{MAX}		2	4		2	4		2	4	mA
Quiescent Current Change	T _J = 25°C V _{MIN} ≤ V _{IN} ≤ V _{MAX} 5 mA ≤ I _{LOAD} ≤ I _D		0.1	0.4		0.1	0.4		0.05	0.4	mA
Output Noise Voltage	T _A = 25°C, C _L = 1 μF, I _L = 5 mA, V _{IN} = 17V, 10 Hz ≤ f ≤ 100 kHz		400			400			400		μV
Long Term Stability			12	120		12	120		12	120	mV
Thermal Resistance Junction to Case			3	35		3	35		Note 3	Note 3	°C/W
Junction to Ambient									Note 3	Note 3	°C/W

Note 1: This specification applies over -55°C ≤ T_J ≤ +150°C for the LM120 and 0°C ≤ T_J ≤ +125°C for the LM320.

Note 2: Regulation is measured at constant junction temperature. Changes in output voltage due to heating effects must be taken into account separately. To ensure constant junction temperature, low duty cycle, pulse testing is used. The LM120/LM320 series does have low thermal feedback, improving line and load regulation. On all other tests, even though power dissipation is internally limited, electrical specifications apply only up to P_D.

Note 3: Thermal resistance of typically 85°C/W (in 400 linear feet/min air flow), 224°C/W (in static air) junction to ambient, of typically 21°C/W junction to case.

Note 4: Refer to RETS120H-12 drawing for LM120H-12 or RETS120-12K drawing for LM120K-12 military specifications.

— 15 Volt Regulators

Absolute Maximum Ratings

If Military/Aerospace specified devices are required, please contact the National Semiconductor Sales Office/Distributors for availability and specifications. (Note 4)

Power Dissipation

Internally Limited

Input Voltage

LM120/LM320
LM320T
–40V
–35V

Input-Output Voltage Differential

30V

Junction Temperatures

See Note 1

Storage Temperature Range

–65°C to +150°C

Lead Temperature (Soldering, 10 sec.)

300°C

Electrical Characteristics

Parameter	Design Output Current (I _O) Device Dissipation (P _D)	Conditions (Note 1)	Metal Can Package						Power Plastic Package			
			LM120K-15 (TO-3)		LM120H-15 (TO-39)		LM320H-15 (TO-39)		LM320T-15 (TO-220)			
			Min	Max	Typ	Max	Min	Max	Typ	Max	Min	Max
Output Voltage	T _J = 25°C, V _{IN} = 20V, I _{LOAD} = 5 mA	–15.3	–14.7	–15.4	–14.6	–15.3	–14.7	–15.4	–14.6	–15.5	–14.5	V
Line Regulation	T _J = 25°C, I _{LOAD} = 5 mA, V _{MIN} ≤ V _{IN} ≤ V _{MAX}	5	10	5	20	5	10	5	20	5	20	mV
Input Voltage		–35	–17	–35	–17	–35	–17	–35	–17	–35	–17.5	V
Ripple Rejection	f = 120 Hz	56	80	56	80	56	80	56	80	56	80	dB
Load Regulation, (Note 2)	T _J = 25°C, V _{IN} = 20V, 5 mA ≤ I _{LOAD} ≤ I _D	30	80	30	80	30	80	10	40	30	80	mV
Output Voltage, (Note 1)	17.5V ≤ V _{IN} ≤ V _{MAX} , 5 mA ≤ I _{LOAD} ≤ I _D , P ≤ P _D	–15.5	–14.5	–15.6	–14.4	–15.5	–14.5	–15.6	–14.4	–15.7	–14.3	V
Quiescent Current	V _{MIN} ≤ V _{IN} ≤ V _{MAX}	2	4	2	4	2	4	2	4	2	4	mA
Quiescent Current Change	T _J = 25°C V _{MIN} ≤ V _{IN} ≤ V _{MAX} 5 mA ≤ I _{LOAD} ≤ I _D	0.1	0.4	0.1	0.4	0.05	0.4	0.05	0.4	0.1	0.4	mA
Output Noise Voltage	T _A = 25°C, C _L = 1 μF, I _L = 5 mA, V _{IN} = 20V, 10 Hz ≤ f ≤ 100 kHz	400		400		400		400		400		μV
Long Term Stability		15	150	15	150	15	150	15	150	15	150	mV
Thermal Resistance Junction to Case		3	35	3	35	Note 3	Note 3	Note 3	Note 3	Note 3	Note 3	°C/W
Junction to Ambient						35	35			50	50	°C/W

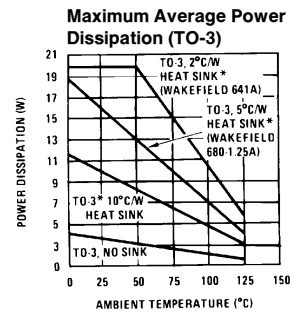
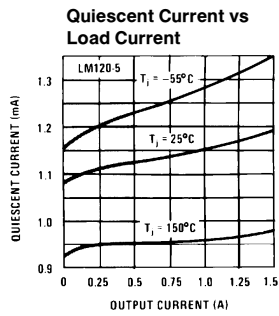
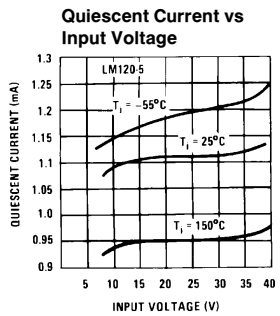
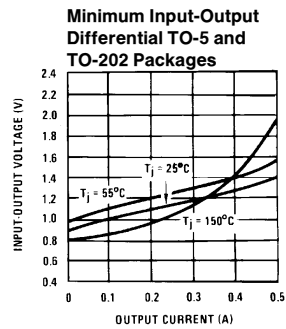
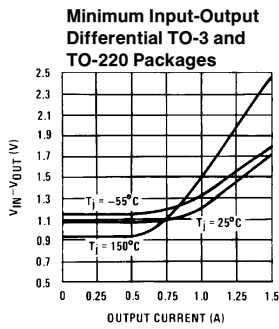
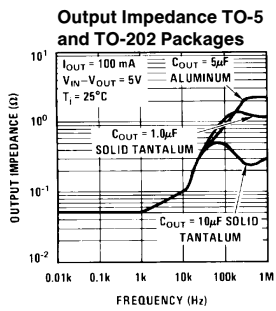
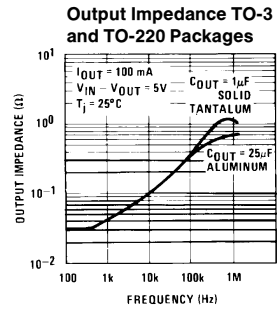
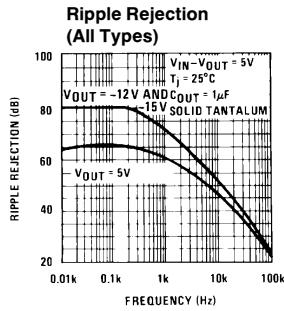
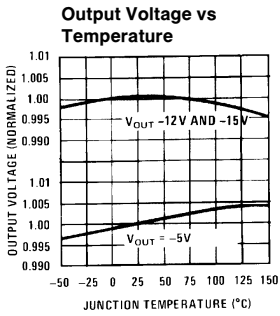
Note 1: This specification applies over –55°C ≤ T_J ≤ +150°C for the LM120 and 0°C ≤ T_J ≤ +125°C for the LM320.

Note 2: Regulation is measured at constant junction temperature. Changes in output voltage due to heating effects must be taken into account separately. To ensure constant junction temperature, low duty cycle, pulse testing is used. The LM120/LM320 series does have low thermal feedback, improving line and load regulation. On all other tests, even though power dissipation is internally limited, electrical specifications apply only up to P_D.

Note 3: Thermal resistance of typically 85°C/W (in 400 linear feet/min air flow), 224°C/W (in static air) junction to ambient, or typically 21°C/W junction to case.

Note 4: Refer to RETS120-15H drawing for LM120H-15 or RETS120-15K drawing for LM120K-15 military specifications.

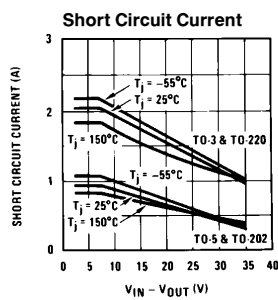
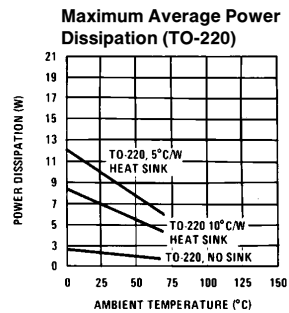
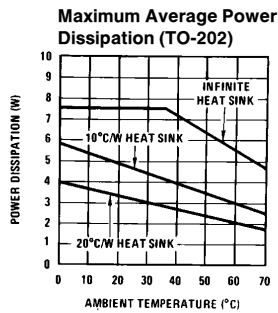
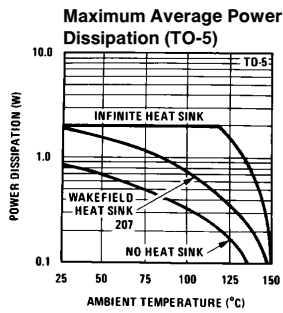
Typical Performance Characteristics



*These curves for LM120.
Derate 25°C further for LM320.

TL/H/7767-4

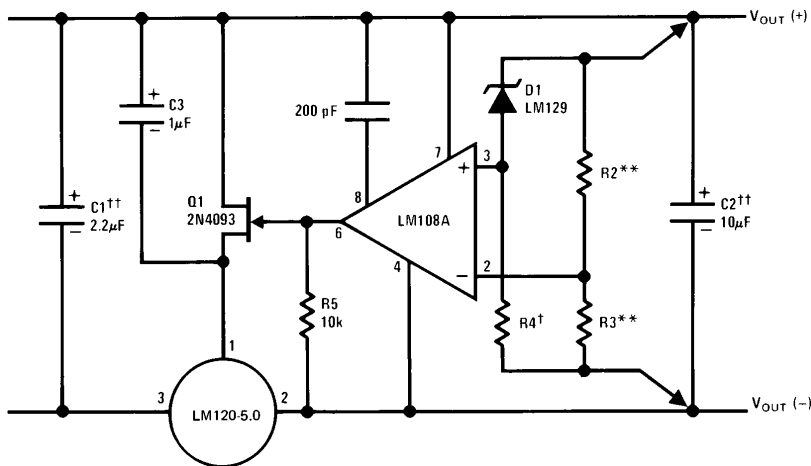
Typical Performance Characteristics (Continued)



TL/H/7767-5

Typical Applications (Continued)

High Stability 1 Amp Regulator



TL/H/7767-6

Load and line regulation — 0.01% temperature stability — 0.2%

†Determines Zener current.

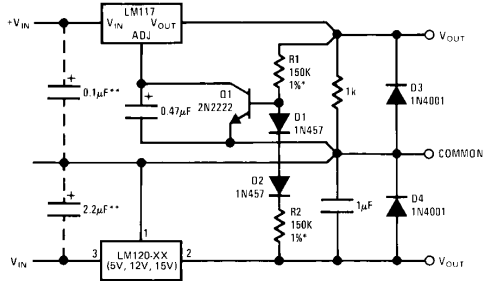
††Solid tantalum.

An LM120-12 or LM120-15 may be used to permit higher input voltages, but the regulated output voltage must be at least $-15V$ when using the LM120-12 and $-18V$ for the LM120-15.

**Select resistors to set output voltage. 2 ppm/°C tracking suggested.

Typical Applications (Continued)

Wide Range Tracking Regulator

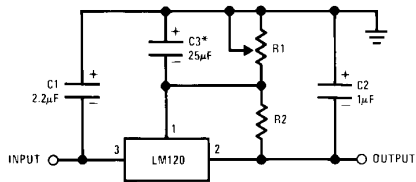


TL/H/7767-7

*Resistor tolerance of R1 and R2 determine matching of (+) and (-) inputs.

**Necessary only if raw supply capacitors are more than 3" from regulators
An LM3086N array may substitute for Q1, D1 and D2 for better stability and tracking. In the array diode transistors Q5 and Q4 (in parallel) make up D2; similarly, Q1 and Q2 become D1 and Q3 replaces the 2N2222.

Variable Output



TL/H/7767-9

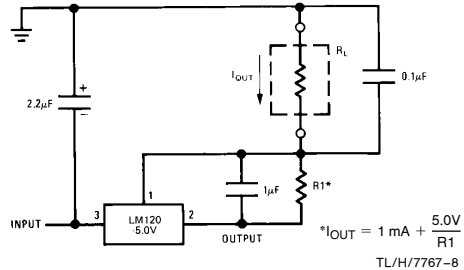
*Optional. Improves transient response and ripple rejection.

$$V_{OUT} = V_{SET} \frac{R1 + R2}{R2}$$

SELECT R2 AS FOLLOWS:

LM120-5	- 300Ω
LM120-12	- 750Ω
LM120-15	- 1k

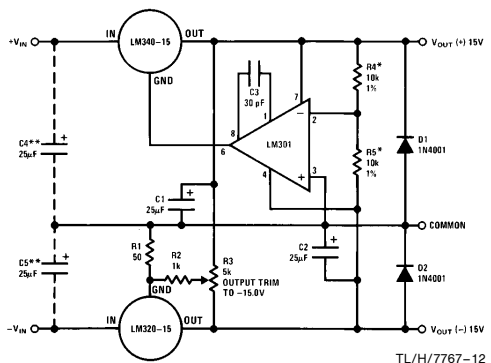
Current Source



TL/H/7767-8

$$*I_{OUT} = 1 \text{ mA} + \frac{5.0\text{V}}{R1}$$

± 15V, 1 Amp Tracking Regulators



TL/H/7767-12

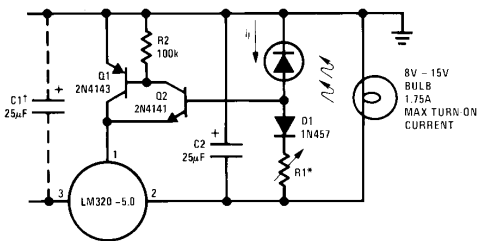
Performance (Typical)

Load Regulation at $\Delta I_L = 1\text{A}$	10 mV	1 mV
Output Ripple, $C_{IN} = 3000 \mu\text{F}$, $I_L = 1\text{A}$	100 μVrms	100 μVrms
Temperature Stability	+50 mV	+50 mV
Output Noise 10 Hz $\leq f \leq 10$ kHz	150 μVrms	150 μVrms

*Resistor tolerance of R4 and R5 determine matching of (+) and (-) outputs.

**Necessary only if raw supply filter capacitors are more than 2" from regulators.

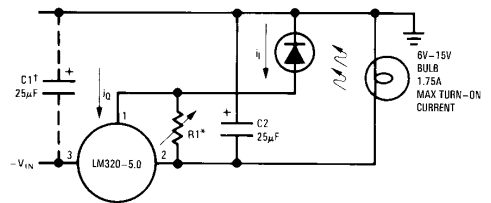
Light Controllers Using Silicon Photo Cells



TL/H/7767-10

*Lamp brightness increases until $i_i = 5\text{V}/R1$ (i_i can be set as low as 1 μA).

†Necessary only if raw supply filter capacitor is more than 2" from LM320MP.

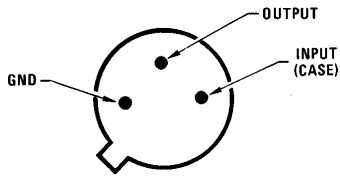


TL/H/7767-11

*Lamp brightness increases until $i_i = i_Q (1 \text{ mA}) + 5\text{V}/R1$.

†Necessary only if raw supply filter capacitor is more than 2" from LM320.

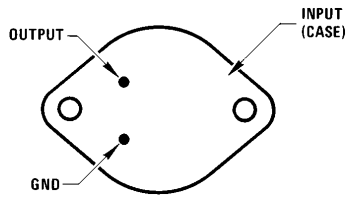
Connection Diagrams



TL/H/7767-13

Bottom View

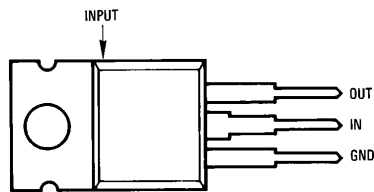
Metal Can Package TO-39 (H)
 Order Number LM120H-5.0, LM120H-12, LM120H-15,
 LM120H-5.0/883, LM120H-12/883, LM120H-15/883,
 LM320H-5.0, LM320H-12 or LM320H-15
 See NS Package Number H03A



TL/H/7767-14

Bottom View

Steel Metal Can Package TO-3 (K)
 Order Number LM120K-5.0/883, LM120K-12/883,
 LM120K-15/883, LM320K-5.0, LM320K-12 or LM320K-15
 See NS Package Number K02A

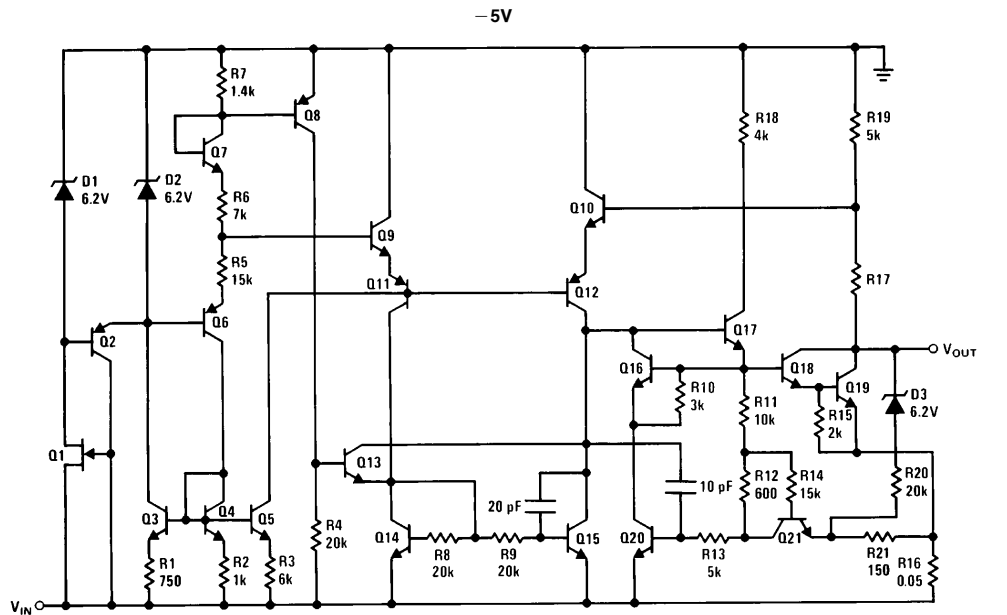


TL/H/7767-17

Front View

Power Package TO-220 (T)
 Order Number LM320T-5.0, LM320T-12 or LM320T-15
 See NS Package Number T03B

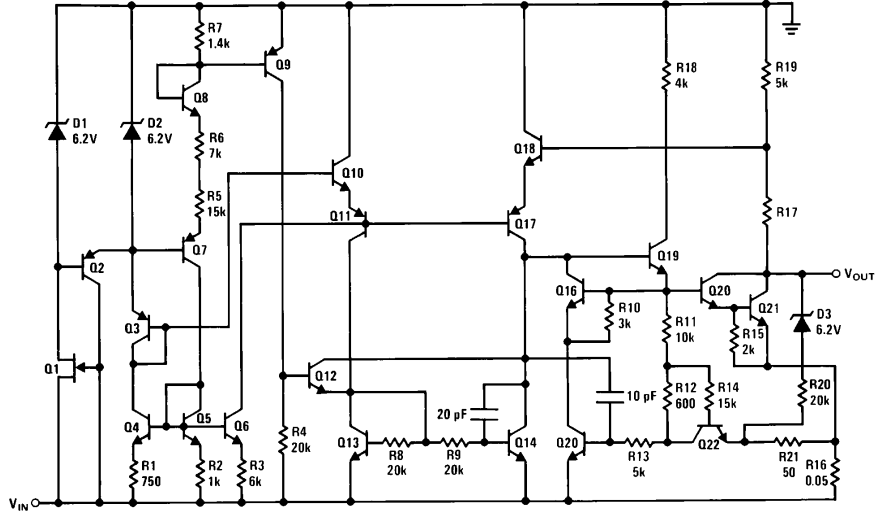
Schematic Diagrams



TL/H/7767-18

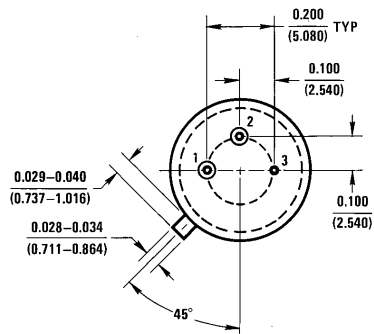
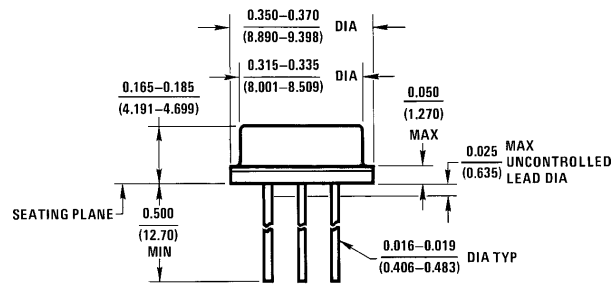
Schematic Diagrams (Continued)

- 12V and - 15V



TL/H/7767-19

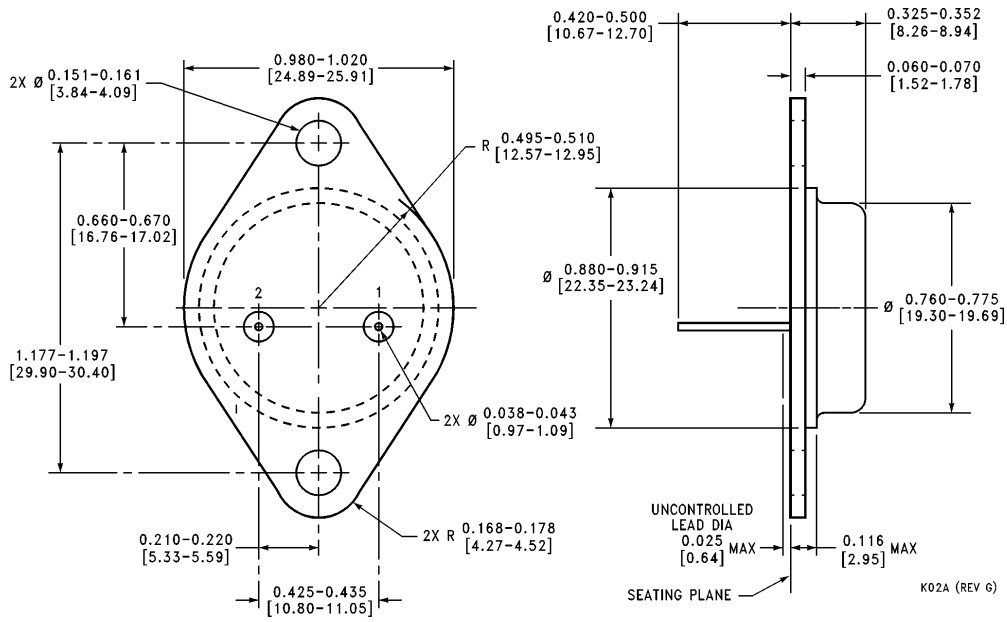
Physical Dimensions inches (millimeters)



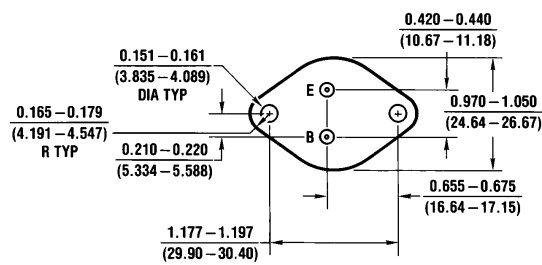
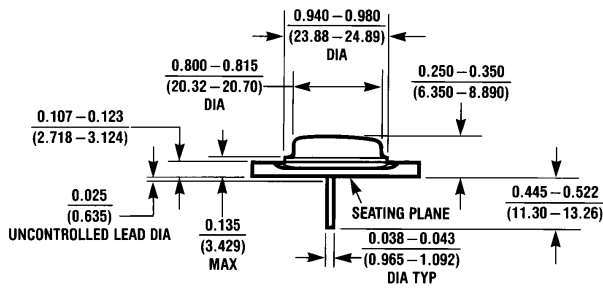
H03A (REV B)

Metal Can Package (TO-39) (H)
Order Number LM120H-5.0, LM120H-12, LM120H-15, LM320H-5.0, LM320H-12 or LM320H-15
NS Package Number H03A

Physical Dimensions inches (millimeters) (Continued)

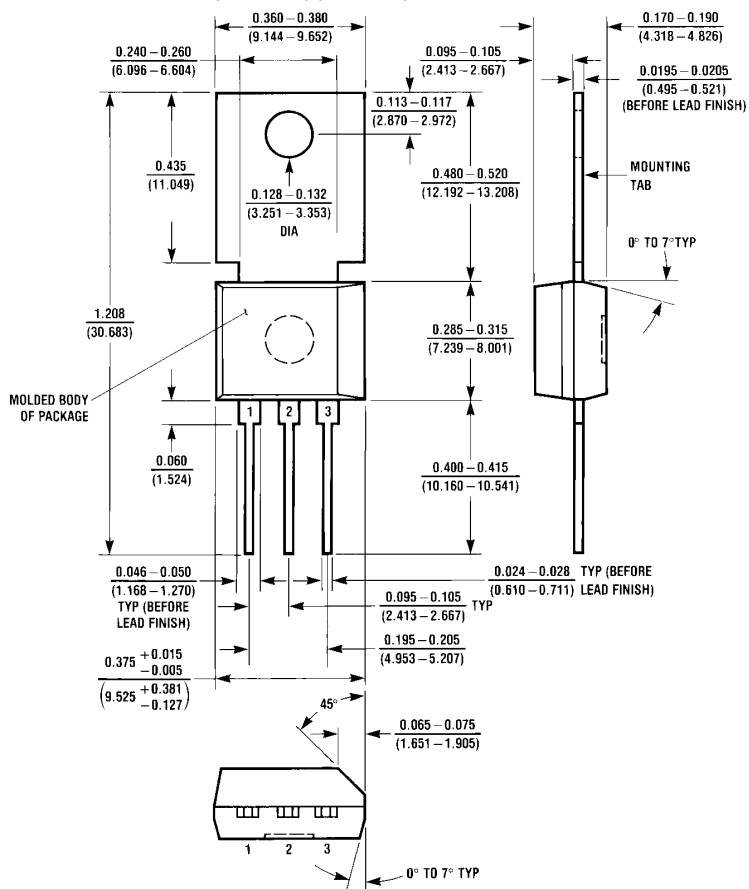


Steel Metal Can Package TO-3 (K)
 Order Number LM120K-5.0, LM120K-12, LM120K-15, LM320K-5.0, LM320K-12 or LM320K-15
 NS Package Number K02A



Aluminum Metal Can Package TO-3 (KC)
 Order Number LM320KC-5.0, LM320KC-12 or LM320KC-15
 NS Package Number KC02A

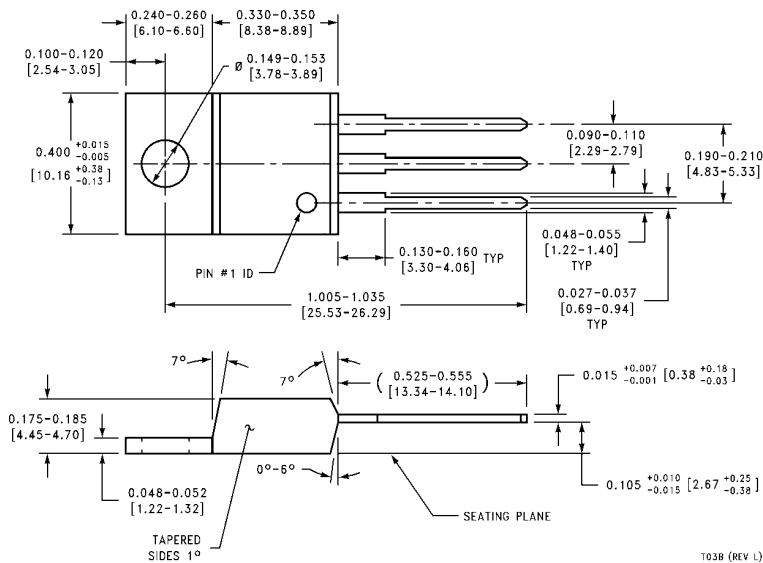
Physical Dimensions inches (millimeters) (Continued)



P03A (REV F)

Power Package TO-202 (P)
Order Number LM320MP-5.0, LM320MP-12 or LM320MP-15
NS Package Number P03A

Physical Dimensions inches (millimeters) (Continued)



Power Package TO-220 (T)
Order Number LM320T-5.0, LM320T-12 or LM320T-15
NS Package Number T03B

T03B (REV L)

LIFE SUPPORT POLICY

NATIONAL'S PRODUCTS ARE NOT AUTHORIZED FOR USE AS CRITICAL COMPONENTS IN LIFE SUPPORT DEVICES OR SYSTEMS WITHOUT THE EXPRESS WRITTEN APPROVAL OF THE PRESIDENT OF NATIONAL SEMICONDUCTOR CORPORATION. As used herein:

1. Life support devices or systems are devices or systems which, (a) are intended for surgical implant into the body, or (b) support or sustain life, and whose failure to perform, when properly used in accordance with instructions for use provided in the labeling, can be reasonably expected to result in a significant injury to the user.
2. A critical component is any component of a life support device or system whose failure to perform can be reasonably expected to cause the failure of the life support device or system, or to affect its safety or effectiveness.



National Semiconductor Corporation
 1111 West Bardin Road
 Arlington, TX 76017
 Tel: 1(800) 272-9959
 Fax: 1(800) 737-7018

National Semiconductor Europe
 Fax: (+49) 0-180-530 85 86
 Email: cnjwge@tevm2.nsc.com
 Deutsch Tel: (+49) 0-180-530 85 85
 English Tel: (+49) 0-180-532 78 32
 Français Tel: (+49) 0-180-532 93 58
 Italiano Tel: (+49) 0-180-534 16 80

National Semiconductor Hong Kong Ltd.
 13th Floor, Straight Block,
 Ocean Centre, 5 Canton Rd.
 Tsimshatsui, Kowloon
 Hong Kong
 Tel: (852) 2737-1600
 Fax: (852) 2736-9960

National Semiconductor Japan Ltd.
 Tel: 81-043-299-2309
 Fax: 81-043-299-2408

National does not assume any responsibility for use of any circuitry described, no circuit patent licenses are implied and National reserves the right at any time without notice to change said circuitry and specifications.