

## LM384 5W Audio Power Amplifier

### General Description

The LM384 is a power audio amplifier for consumer application. In order to hold system cost to a minimum, gain is internally fixed at 34 dB. A unique input stage allows inputs to be ground referenced. The output is automatically self-centering to one half the supply voltage.

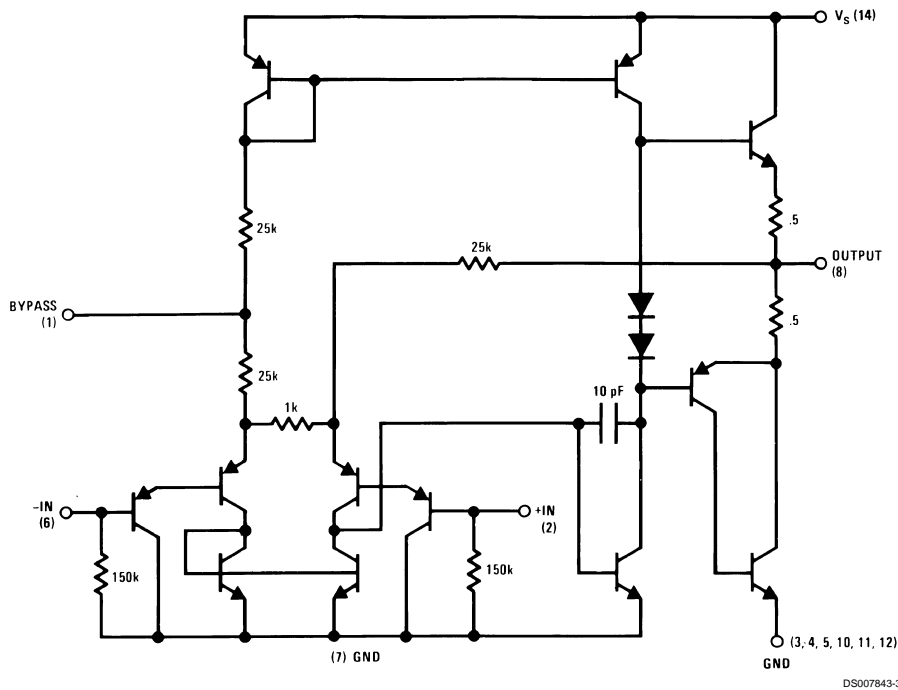
The output is short-circuit proof with internal thermal limiting. The package outline is standard dual-in-line. A copper lead frame is used with the center three pins on either side comprising a heat sink. This makes the device easy to use in standard p-c layout.

Uses include simple phonograph amplifiers, intercoms, line drivers, teaching machine outputs, alarms, ultrasonic drivers, TV sound systems, AM-FM radio, sound projector systems, etc. See AN-69 for circuit details.

### Features

- Wide supply voltage range
- Low quiescent power drain
- Voltage gain fixed at 50
- High peak current capability
- Input referenced to GND
- High input impedance
- Low distortion
- Quiescent output voltage is at one half of the supply voltage
- Standard dual-in-line package

### Schematic Diagram



## Absolute Maximum Ratings (Note 1)

If Military/Aerospace specified devices are required, please contact the National Semiconductor Sales Office/ Distributors for availability and specifications.

Supply Voltage	28V
Peak Current	1.3A
Power Dissipation (See (Notes 4, 5))	1.67W
Input Voltage	±0.5V
Storage Temperature	-65°C to +150°C

Operating Temperature	0°C to +70°C
Lead Temperature (Soldering, 10 sec.)	260°C
Thermal Resistance	
$\theta_{JC}$	30°C/W
$\theta_{JA}$	79°C/W

**Note 1:** Absolute Maximum Ratings indicate limits beyond which damage to the device may occur. Operating Ratings indicate conditions for which the device is functional, but do not guarantee specific performance limits.

## Electrical Characteristics (Note 2)

Symbol	Parameter	Conditions	Min	Typ	Max	Units
$Z_{IN}$	Input Resistance			150		k $\Omega$
$I_{BIAS}$	Bias Current	Inputs Floating		100		nA
$A_V$	Gain		40	50	60	V/V
$P_{OUT}$	Output Power	THD = 10%, $R_L = 8\Omega$	5	5.5		W
$I_Q$	Quiescent Supply Current			8.5	25	mA
$V_{OUT Q}$	Quiescent Output Voltage			11		V
BW	Bandwidth	$P_{OUT} = 2W, R_L = 8\Omega$		450		kHz
$V^*$	Supply Voltage		12		26	V
$I_{SC}$	Short Circuit Current (Note 6)			1.3		A
PSRR <sub>RTO</sub>	Power Supply Rejection Ratio (Note 3)			31		dB
THD	Total Harmonic Distortion	$P_{OUT} = 4W, R_L = 8\Omega$		0.25	1.0	%

**Note 2:**  $V^* = 22V$  and  $T_A = 25^\circ C$  operating with a Staver V7 heat sink for 30 seconds.

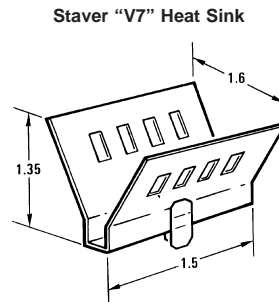
**Note 3:** Rejection ratio referred to the output with  $C_{BYPASS} = 5 \mu F$ , freq = 120 Hz.

**Note 4:** The maximum junction temperature of the LM384 is 150°C.

**Note 5:** The package is to be derated at 15°C/W junction to heat sink pins.

**Note 6:** Output is fully protected against a shorted speaker condition at all voltages up to 22V.

## Heat Sink Dimensions

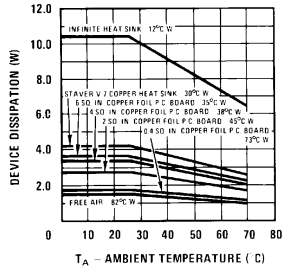


DS007843-4

Staver Company  
41 Saxon Ave.  
P.O. Drawer H  
Bay Shore, N.Y.  
Tel: (516) 666-8000

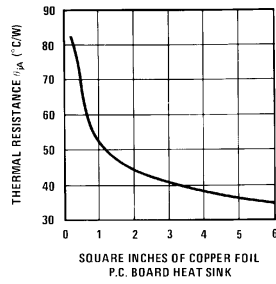
## Typical Performance Characteristics

Device Dissipation vs Ambient Temperature



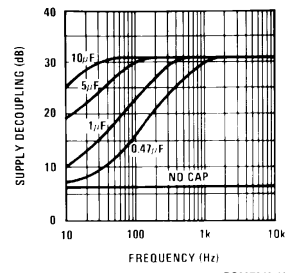
DS007843-10

Thermal Resistance vs Square Inches



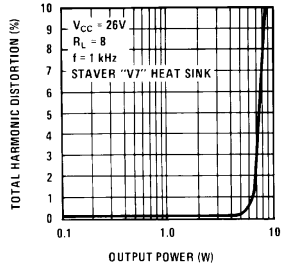
DS007843-11

Supply Decoupling vs Frequency



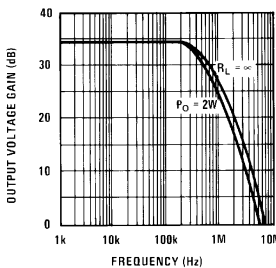
DS007843-12

Total Harmonic Distortion vs Output Power



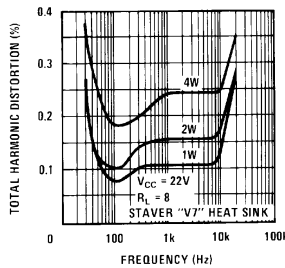
DS007843-13

Output Voltage Gain vs Frequency



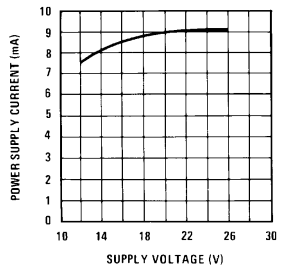
DS007843-14

Total Harmonic Distortion vs Frequency



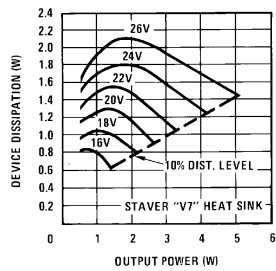
DS007843-15

Power Supply Current vs Supply Voltage



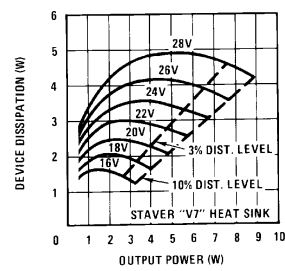
DS007843-16

Device Dissipation vs Output Power — 16Ω Load



DS007843-17

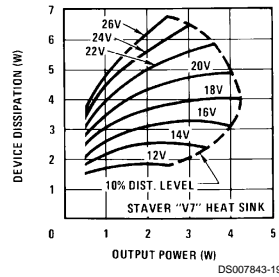
Device Dissipation vs Output Power — 8Ω Load



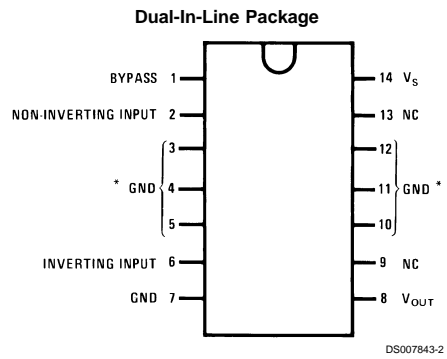
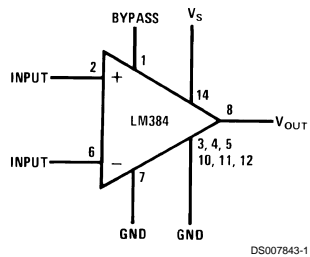
DS007843-18

## Typical Performance Characteristics (Continued)

Device Dissipation vs  
Output Power — 4Ω Load



## Block and Connection Diagrams

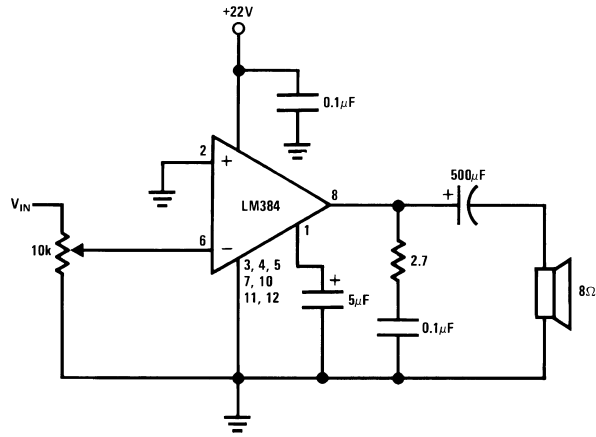


Note 7: Heatsink Pins

Top View  
Order Number LM384N  
See NS Package Number N14A

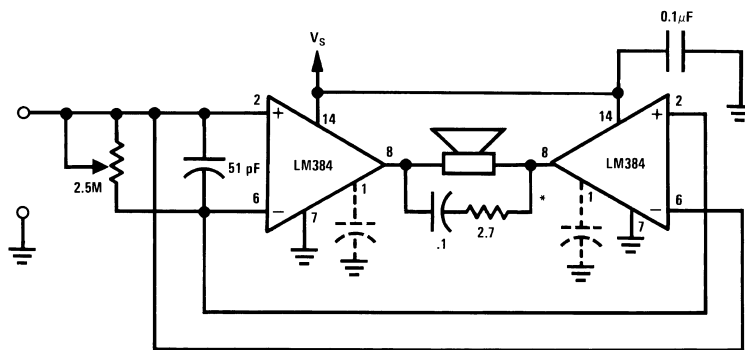
## Typical Applications

Typical 5W Amplifier



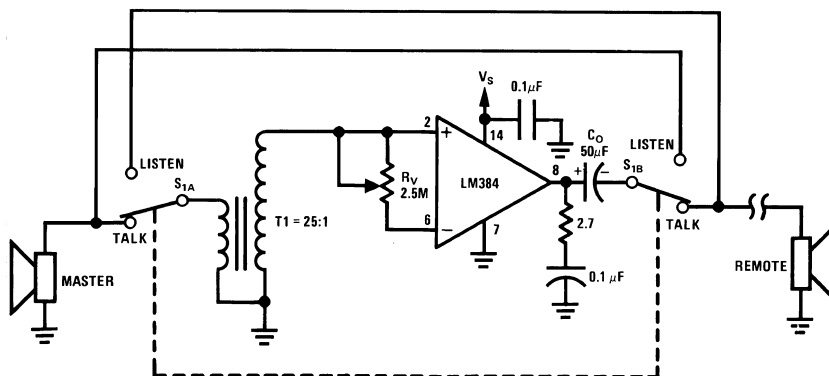
DS007843-6

Bridge Amplifier



DS007843-7

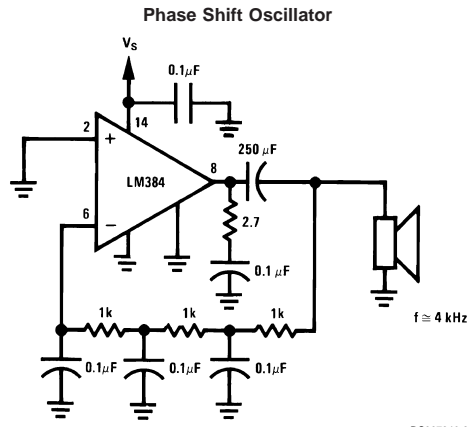
Intercom



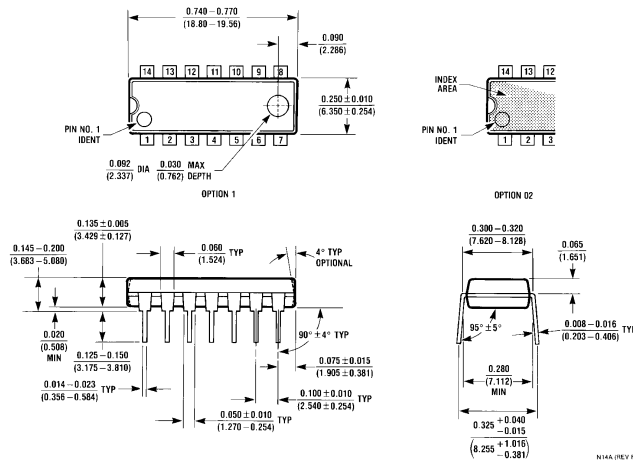
DS007843-8

\*For stability with high current loads

## Typical Applications (Continued)



**Physical Dimensions** inches (millimeters) unless otherwise noted



**Molded Dual-In-Line Package (N)**  
**Order Number LM384N**  
**NS Package Number N14A**

**LIFE SUPPORT POLICY**

NATIONAL'S PRODUCTS ARE NOT AUTHORIZED FOR USE AS CRITICAL COMPONENTS IN LIFE SUPPORT DEVICES OR SYSTEMS WITHOUT THE EXPRESS WRITTEN APPROVAL OF THE PRESIDENT AND GENERAL COUNSEL OF NATIONAL SEMICONDUCTOR CORPORATION. As used herein:

1. Life support devices or systems are devices or systems which, (a) are intended for surgical implant into the body, or (b) support or sustain life, and whose failure to perform when properly used in accordance with instructions for use provided in the labeling, can be reasonably expected to result in a significant injury to the user.
2. A critical component is any component of a life support device or system whose failure to perform can be reasonably expected to cause the failure of the life support device or system, or to affect its safety or effectiveness.

**National Semiconductor Corporation**  
 Americas  
 Tel: 1-800-272-9959  
 Fax: 1-800-737-7018  
 Email: support@nsc.com

**National Semiconductor Europe**  
 Fax: +49 (0) 1 80-530 85 86  
 Email: europe.support@nsc.com  
 Deutsch Tel: +49 (0) 1 80-530 85 85  
 English Tel: +49 (0) 1 80-532 78 32  
 Français Tel: +49 (0) 1 80-532 93 58  
 Italiano Tel: +49 (0) 1 80-534 16 80

**National Semiconductor Asia Pacific Customer Response Group**  
 Tel: 65-2544466  
 Fax: 65-2504466  
 Email: sea.support@nsc.com

**National Semiconductor Japan Ltd.**  
 Tel: 81-3-5639-7560  
 Fax: 81-3-5639-7507

www.national.com