

LM828 Switched Capacitor Voltage Converter

General Description

The LM828 CMOS charge-pump voltage converter inverts a positive voltage in the range of +1.8V to +5.5V to the corresponding negative voltage of -1.8V to -5.5V. The LM828 uses two low cost capacitors to provide up to 25 mA of output current.

The LM828 operates at 12 kHz switching frequency to reduce output resistance and voltage ripple. With an operating current of only 40 μ A (operating efficiency greater than 96% with most loads), the LM828 provides ideal performance for battery powered systems. The device is in a tiny SOT-23-5 package.

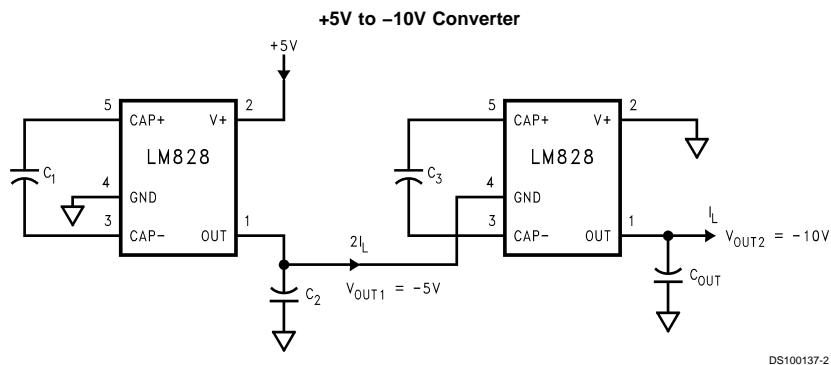
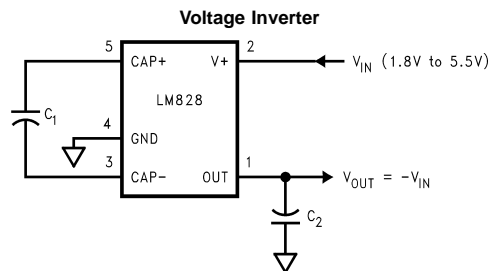
Features

- Inverts Input Supply Voltage
- SOT-23-5 Package
- 20 Ω Typical Output Impedance
- 97% Typical Conversion Efficiency at 5 mA

Applications

- Cellular Phones
- Pagers
- PDAs
- Operational Amplifier Power Supplies
- Interface Power Supplies
- Handheld Instruments

Basic Application Circuits



Absolute Maximum Ratings (Note 1)

If Military/Aerospace specified devices are required, please contact the National Semiconductor Sales Office/Distributors for availability and specifications.

Supply Voltage (V+ to GND, or GND to OUT)	5.8V	T_{JMax} (Note 3)	150°C
V+ and OUT Continuous Output Current	50 mA	θ_{JA} (Note 3)	300°C/W
Output Short-Circuit Duration to GND (Note 2)	1 sec.	Operating Junction Temperature Range	-40°C to 85°C
Continuous Power Dissipation ($T_A = 25^\circ\text{C}$)(Note 3)	240 mW	Storage Temperature Range	-65°C to +150°C
		Lead Temp. (Soldering, 10 seconds)	300°C
		ESD Rating (Note 7)	2kV

Electrical Characteristics

Limits in standard typeface are for $T_J = 25^\circ\text{C}$, and limits in **boldface** type apply over the full operating temperature range. Unless otherwise specified: $V_+ = 5\text{V}$, $C_1 = C_2 = 10\ \mu\text{F}$. (Note 4)

Symbol	Parameter	Condition	Min	Typ	Max	Units
V+	Supply Voltage	$R_L = 10\text{k}\Omega$	1.8		5.5	V
I_Q	Supply Current	No Load		40	75 115	μA
R_{OUT}	Output Resistance (Note 5)	$I_L = 5\ \text{mA}$		20	65	Ω
f_{OSC}	Oscillator Frequency (Note 6)	Internal	12	24	56	kHz
f_{SW}	Switching Frequency (Note 6)	Measured at CAP+	6	12	28	kHz
P_{EFF}	Power Efficiency	$I_L = 5\ \text{mA}$		97		%
V_{OEFF}	Voltage Conversion Efficiency	No Load	95	99.96		%

Note 1: Absolute maximum ratings indicate limits beyond which damage to the device may occur. Electrical specifications do not apply when operating the device beyond its rated operating conditions.

Note 2: OUT may be shorted to GND for one second without damage. However, shorting OUT to V+ may damage the device and should be avoided. Also, for temperatures above 85°C, OUT must not be shorted to GND or V+, or the device may be damaged.

Note 3: The maximum allowable power dissipation is calculated by using $P_{DMax} = (T_{JMax} - T_A)/\theta_{JA}$, where T_{JMax} is the maximum junction temperature, T_A is the ambient temperature, and θ_{JA} is the junction-to-ambient thermal resistance of the package.

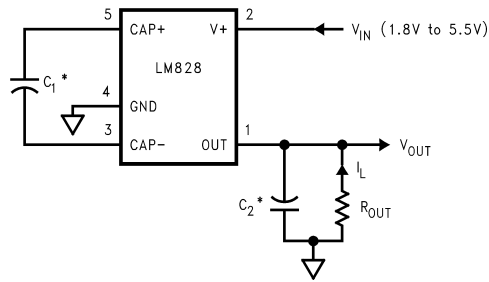
Note 4: In the test circuit, capacitors C_1 and C_2 are 10 μF , 0.3 Ω maximum ESR capacitors. Capacitors with higher ESR will increase output resistance, reduce output voltage and efficiency.

Note 5: Specified output resistance includes internal switch resistance and capacitor ESR. See the details in the application information.

Note 6: The output switches operate at one half of the oscillator frequency, $f_{OSC} = 2f_{SW}$.

Note 7: The human body model is a 100 pF capacitor discharged through a 1.5 k Ω resistor into each pin.

Test Circuit



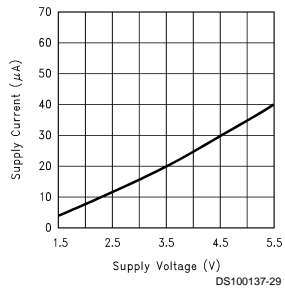
DS100137-3

* C_1 and C_2 are 10 μF capacitors.

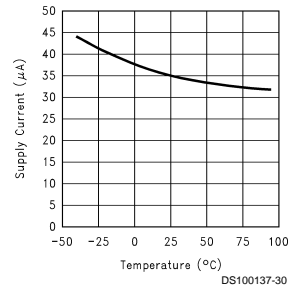
FIGURE 1. LM828 Test Circuit

Typical Performance Characteristics (Circuit of Figure 1, $V_+ = 5\text{V}$ unless otherwise specified)

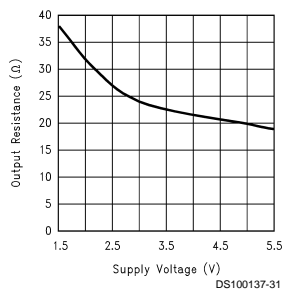
Supply Current vs Supply Voltage



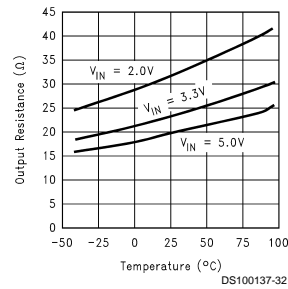
Supply Current vs Temperature



Output Source Resistance vs Supply Voltage

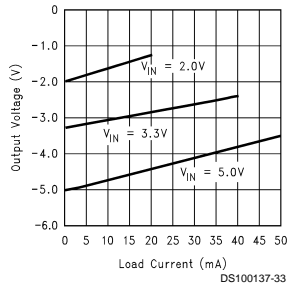


Output Source Resistance vs Temperature

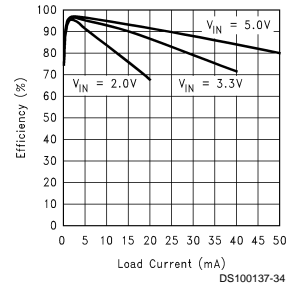


Typical Performance Characteristics (Circuit of Figure 1, $V_+ = 5V$ unless otherwise specified) (Continued)

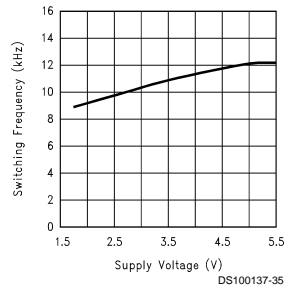
Output Voltage vs Load Current



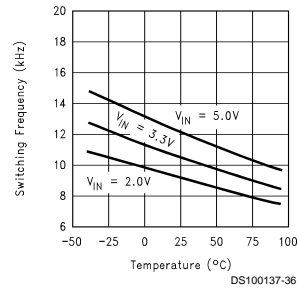
Efficiency vs Load Current



Switching Frequency vs Supply Voltage

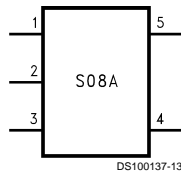


Switching Frequency vs Temperature



Connection Diagram

5-Lead Small Outline Package (M5)



Top View With Package Marking



Actual Size

Ordering Information

Order Number	Package Number	Package Marking	Supplied as
LM828M5	MA05B	S08A (Note 8)	Tape and Reel (250 units/rail)
LM828M5X	MA05B	S08A (Note 8)	Tape and Reel (3000 units/rail)

Note 8: The first letter "S" identifies the part as a switched capacitor converter. The next two numbers are the device number. Larger quantity reels are available upon request.

Pin Description

Pin	Name	Function
1	OUT	Negative voltage output.
2	V+	Power supply positive input.
3	CAP-	Connect this pin to the negative terminal of the charge-pump capacitor.
4	GND	Power supply ground input.
5	CAP+	Connect this pin to the positive terminal of the charge-pump capacitor.

Circuit Description

The LM828 contains four large CMOS switches which are switched in a sequence to invert the input supply voltage. Energy transfer and storage are provided by external capacitors. Figure 2 illustrates the voltage conversion scheme. When S₁ and S₃ are closed, C₁ charges to the supply voltage V+. During this time interval, switches S₂ and S₄ are open. In the second time interval, S₁ and S₃ are open; at the same time, S₂ and S₄ are closed, C₁ is charging C₂. After a number of cycles, the voltage across C₂ will be pumped to V+. Since the anode of C₂ is connected to ground, the output at the cathode of C₂ equals -(V+) when there is no load current. The output voltage drop when a load is added is determined by the parasitic resistance (R_{ds(on)}) of the MOSFET switches and the ESR of the capacitors) and the charge transfer loss between capacitors.

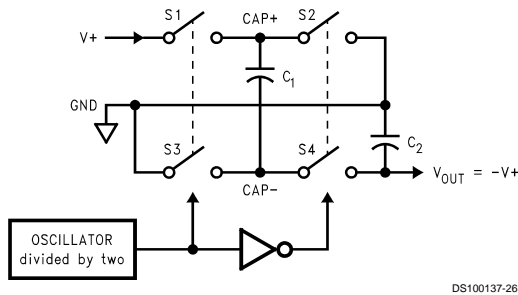


FIGURE 2. Voltage Inverting Principle

Application Information

Simple Negative Voltage Converter

The main application of LM828 is to generate a negative supply voltage. The voltage inverter circuit uses only two external capacitors as shown in the Basic Application Circuits. The range of the input supply voltage is 1.8V to 5.5V.

The output characteristics of this circuit can be approximated by an ideal voltage source in series with a resistance. The voltage source equals -(V+). The output resistance, R_{out}, is

a function of the ON resistance of the internal MOSFET switches, the oscillator frequency, the capacitance and the ESR of both C₁ and C₂. Since the switching current charging and discharging C₁ is approximately twice as the output current, the effect of the ESR of the pumping capacitor C₁ will be multiplied by four in the output resistance. The output capacitor C₂ is charging and discharging at a current approximately equal to the output current, therefore, this ESR term only counts once in the output resistance. A good approximation of R_{out} is:

$$R_{OUT} \cong 2R_{SW} + \frac{2}{f_{OSC} \times C_1} + 4ESR_{C1} + ESR_{C2}$$

where R_{SW} is the sum of the ON resistance of the internal MOSFET switches shown in Figure 2.

High capacitance, low ESR capacitors will reduce the output resistance.

The peak-to-peak output voltage ripple is determined by the oscillator frequency, the capacitance and ESR of the output capacitor C₂:

$$V_{RIPPLE} = \frac{I_L}{f_{OSC} \times C_2} + 2 \times I_L \times ESR_{C2}$$

Again, using a low ESR capacitor will result in lower ripple.

Capacitor Selection

The output resistance and ripple voltage are dependent on the capacitance and ESR values of the external capacitors. The output voltage drop is the load current times the output resistance, and the power efficiency is

$$\eta = \frac{P_{OUT}}{P_{IN}} = \frac{I_L^2 R_L}{I_L^2 R_L + I_L^2 R_{OUT} + I_Q (V+)}$$

Where I_Q(V+) is the quiescent power loss of the IC device, and I_L²R_{out} is the conversion loss associated with the switch on-resistance, the two external capacitors and their ESRs.

The selection of capacitors is based on the specifications of the dropout voltage (which equals I_{out} R_{out}), the output voltage ripple, and the converter efficiency. Low ESR capacitors (following table) are recommended to maximize efficiency, reduce the output voltage drop and voltage ripple.

Low ESR Capacitor Manufacturers

Manufacturer	Phone	Capacitor Type
Nichicon Corp.	(708)-843-7500	PL & PF series, through-hole aluminum electrolytic
AVX Corp.	(803)-448-9411	TPS series, surface-mount tantalum
Sprague	(207)-324-4140	593D, 594D, 595D series, surface-mount tantalum
Sanyo	(619)-661-6835	OS-CON series, through-hole aluminum electrolytic

Application Information (Continued)

Low ESR Capacitor Manufacturers (Continued)

Manufacturer	Phone	Capacitor Type
Murata	(800)-831-9172	Ceramic chip capacitors
Taiyo Yuden	(800)-348-2496	Ceramic chip capacitors
Tokin	(408)-432-8020	Ceramic chip capacitors

Other Applications

Paralleling Devices

Any number of LM828s can be paralleled to reduce the output resistance. Each device must have its own pumping capacitor C_1 , while only one output capacitor C_{out} is needed as shown in Figure 3. The composite output resistance is:

$$R_{OUT} = \frac{R_{OUT} \text{ of each LM828}}{\text{Number of Devices}}$$

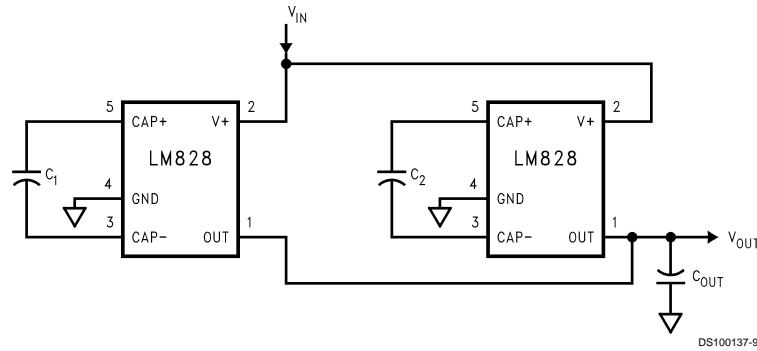


FIGURE 3. Lowering Output Resistance by Paralleling Devices

Cascading Devices

Cascading the LM828s is an easy way to produce a greater negative voltage (e.g. A two-stage cascade circuit is shown in Figure 4).

If n is the integer representing the number of devices cascaded, the unloaded output voltage V_{out} is $(-nV_{in})$. The effective output resistance is equal to the weighted sum of each individual device:

$$R_{out} = nR_{out_1} + n/2 R_{out_2} + \dots + R_{out_n}$$

This can be seen by first assuming that each device is 100 percent efficient. Since the output voltage is different on each device the output current is as well. Each cascaded device sees less current at the output than the previous so the R_{OUT} voltage drop is lower in each device added. Note that, the number of n is practically limited since the increasing of n significantly reduces the efficiency, and increases the output resistance and output voltage ripple.

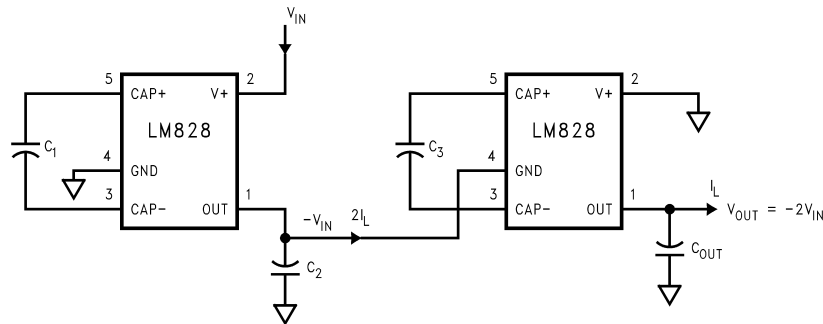


FIGURE 4. Increasing Output Voltage by Cascading Devices

Other Applications (Continued)

Combined Doubler and Inverter

In Figure 5, the LM828 is used to provide a positive voltage doubler and a negative voltage converter. Note that the total current drawn from the two outputs should not exceed 40 mA.

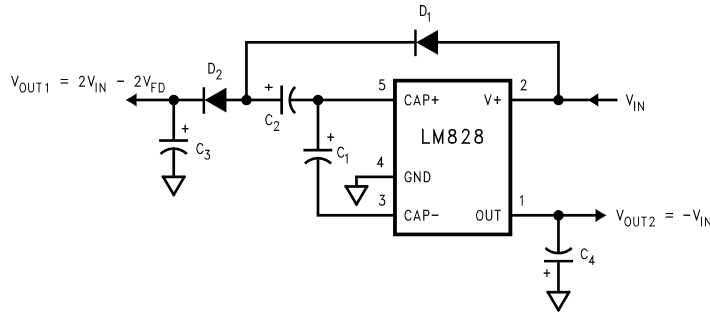


FIGURE 5. Combined Voltage Doubler and Inverter

Regulating V_{OUT}

It is possible to regulate the negative output of the LM828 by use of a low dropout regulator (such as the LP2980). The whole converter is depicted in Figure 6. This converter can give a regulated output from $-1.8V$ to $-5.5V$ by choosing the proper resistor ratio:

$$V_{out} = V_{ref} (1 + R_1/R_2)$$

where, $V_{ref} = 1.23V$

Note that the following conditions must be satisfied simultaneously for worst case design:

$$V_{in_min} > V_{out_min} + V_{drop_max} (LP2980) + I_{out_max} \times R_{out_max} (LM828)$$

$$V_{in_max} < V_{out_max} + V_{drop_min} (LP2980) + I_{out_min} \times R_{out_min} (LM828)$$

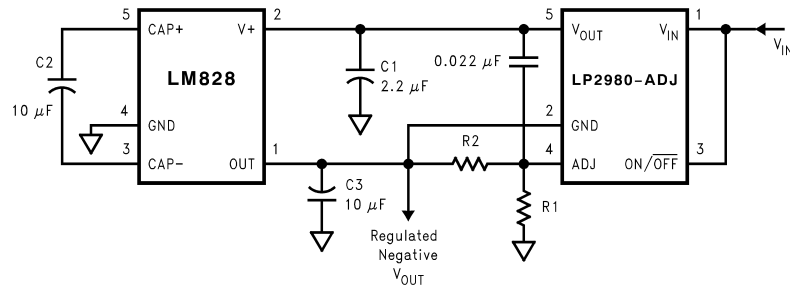
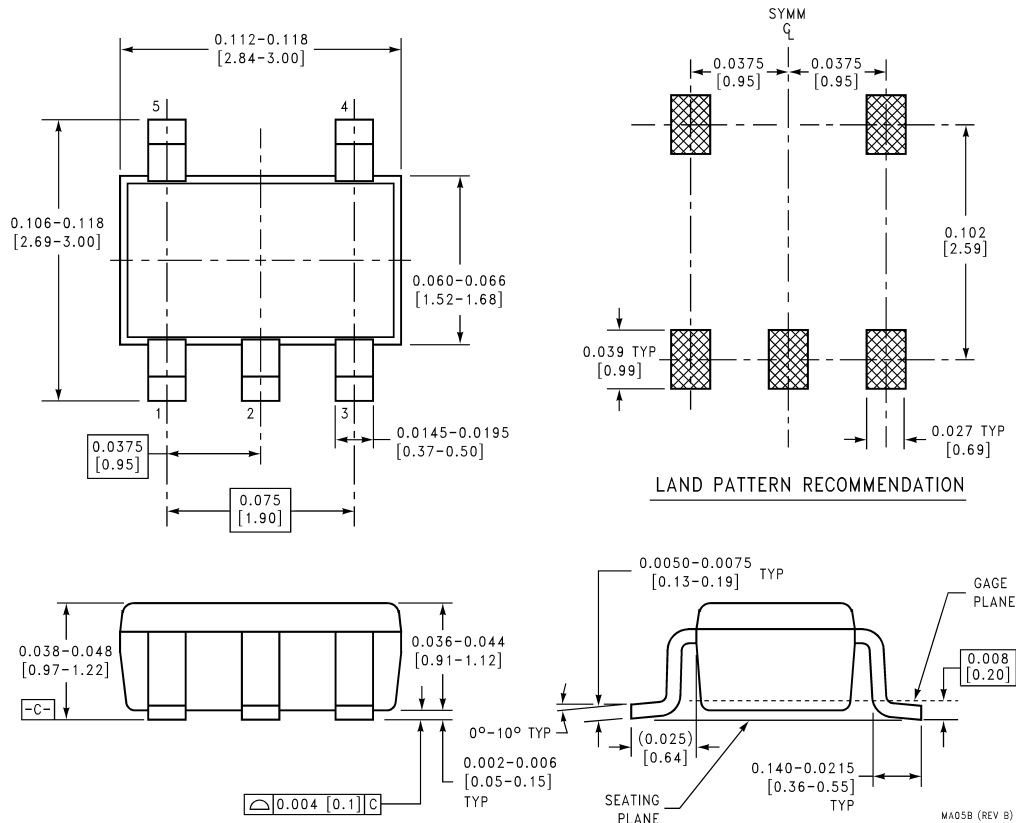


FIGURE 6. Combining LM828 with LP2980 to Make a Negative Adjustable Regulator

Physical Dimensions inches (millimeters) unless otherwise noted



**5-Lead Small Outline Package (M5)
NS Package Number MA05B**

For Order Numbers, refer to the table in the "Ordering Information" section of this document.

LIFE SUPPORT POLICY

NATIONAL'S PRODUCTS ARE NOT AUTHORIZED FOR USE AS CRITICAL COMPONENTS IN LIFE SUPPORT DEVICES OR SYSTEMS WITHOUT THE EXPRESS WRITTEN APPROVAL OF THE PRESIDENT OF NATIONAL SEMICONDUCTOR CORPORATION. As used herein:

1. Life support devices or systems are devices or systems which, (a) are intended for surgical implant into the body, or (b) support or sustain life, and whose failure to perform when properly used in accordance with instructions for use provided in the labeling, can be reasonably expected to result in a significant injury to the user.
2. A critical component is any component of a life support device or system whose failure to perform can be reasonably expected to cause the failure of the life support device or system, or to affect its safety or effectiveness.



National Semiconductor Corporation
Americas
Tel: 1-800-272-9959
Fax: 1-800-737-7018
Email: support@nsc.com

National Semiconductor Europe
Fax: +49 (0) 1 80-530 85 86
Email: europe.support@nsc.com
Deutsch Tel: +49 (0) 1 80-530 85 85
English Tel: +49 (0) 1 80-532 78 32
Français Tel: +49 (0) 1 80-532 93 58
Italiano Tel: +49 (0) 1 80-534 16 80

National Semiconductor Asia Pacific Customer Response Group
Tel: 65-2544466
Fax: 65-2504466
Email: sea.support@nsc.com

National Semiconductor Japan Ltd.
Tel: 81-3-5639-7560
Fax: 81-3-5639-7507

www.national.com