

LM9647 Color CMOS Image Sensor VGA 68 FPS

General Description

The LM9647 is a high performance, low power, 1/4" VGA CMOS Active Pixel Sensor capable of capturing color still or motion images and converting them to a digital data stream.

Excellent image quality is achieved by integrating a high performance analog signal processor comprising of a high speed 10 bit A/D converter, fixed pattern noise elimination circuits and separate color gain amplifiers. The offset and black level can be automatically adjusted on chip using a full loop black level compensation circuit.

Furthermore, a programmable smart timing and control circuit allowing the user maximum flexibility in adjusting integration time, active window size, gain, frame rate. Various control, timing and power modes are also provided.

Features

- Master and slave mode operation
- Progressive scan read out with horizontal and vertical flip
- Programmable Exposure:
 - Master clock divider
 - Inter row delay
 - Inter frame delay
 - Partial frame integration
- Four channels of digitally programmable analog gain
- Full automatic servo loop for black level & offset adjustment on each gain channel
- Horizontal & vertical sub-sampling (2:1 & 4:2) with averaging
- Windowing
- Programmable pixel clock, inter-frame and inter-line delays
- I²C compatible serial control interface
- Power on reset & power down mode

Applications

- Dual Mode Camera
- Digital Still Camera
- Security Camera
- Machine Vision

Key Specifications

Array Format	Total: 488 x 672 Active: 488 x 648
Effective Image Area	Total: 2.93mm x 4.03mm Active: 2.93mm x 3.89mm
Optical Format	1/4"
Pixel Size	6.0µm x 6.0µm
Video Outputs	8 & 10 Bit Digital
Frame Rate	68 frames per second
Dynamic Range	57 dB
Electronic Shutter	Rolling Reset
FPN	0.5%
PRMU	1.7%
Sensitivity	2.5 volts/lux.s
Fill Factor	49%
Color Mosaic	Bayer pattern
Package	32 LCC
Single Supply	3.0V +/-10%
Power Consumption	130mW
Operating Temp	-10°C to 50°C

Overall Chip Block Diagram

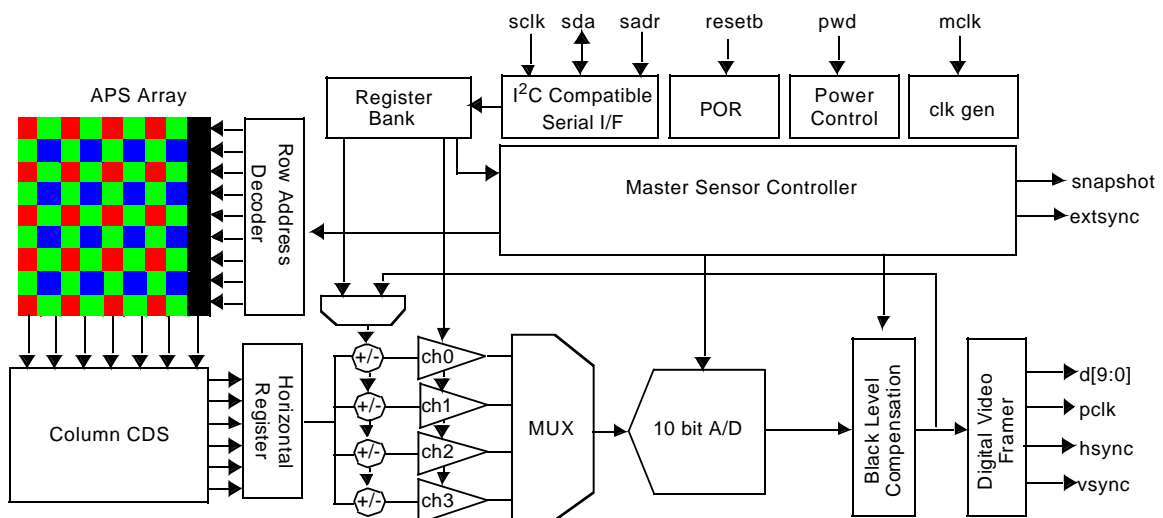


Figure 1. Chip Block Diagram

Ordering Information (Product, Samples & Design In Tools)

Item	Description	Part Number
LM9647	LM9647 VGA, 68 frames per second, color CMOS image sensor. This sensor is shipped in a 48 pin ceramic leadless chip carrier package. Minimum order quantity, one tray of 176 units.	LM9647CEA
Sample Kit	This kit includes 5 LM9647 samples and complete product datasheet.	LM9647SAMPLE-KIT
Headboard	This is a small PCB that houses the LM9647 sensor together with all necessary discrete components. The headboard is supplied with C-MOUNT lens block (lens not included) and documentation. M12 Lens mounts (not included) can also be mounted on this board.	LM9647HEADBOARD
Evaluation Kit	The evaluation kit is a complete software/hardware solution designed to give the system designer a complete raw data evaluation toolset for the LM9647 sensor. The kit contains a LM9647 headboard (see above), C-MOUNT lens, capture and display board, power supply, cables, SNAPS EVAL version Windows application software and documentation.	LM9647EVAL-KIT
1/4" Lens Kit	The 1/4" lens kit includes four 1/4" M12 lenses and an M12 mount that can be attached to any LM9647 headboard (see above). All lenses in the kit have been tested by National Semiconductor and are supplied with documentation and test data.	LM96-1/4-LENS-KIT

LIFE SUPPORT POLICY

NATIONAL'S PRODUCTS ARE NOT AUTHORIZED FOR USE AS CRITICAL COMPONENTS IN LIFE SUPPORT DEVICES OR SYSTEMS WITHOUT THE EXPRESS WRITTEN APPROVAL OF THE PRESIDENT AND GENERAL COUNSEL OF NATIONAL SEMICONDUCTOR CORPORATION. As used herein:

1. Life support devices or systems are devices or systems which, (a) are intended for surgical implant into the body, or (b) support or sustain life, and whose failure to perform when properly used in accordance with instructions for use provided in the labeling, can be reasonably expected to result in a significant injury to the user.
2. A critical component is any component of a life support device or system whose failure to perform can be reasonably expected to cause the failure of the life support device or system, or to affect its safety or effectiveness.



National Semiconductor Corporation
Americas
Tel: 1-800-272-9959
Fax: 1-800-737-7018
Email: support@nsc.com

www.national.com

National Semiconductor Europe
Fax: +49 (0) 1 80-530 85 86
Email: europe.support@nsc.com
Deutsch Tel: +49 (0) 69 9508 6208
English Tel: +44 (0) 870 24 0 2171
Francais Tel: +33 (0) 1 41 91 8790

National Semiconductor Asia Pacific Customer Response Group
Tel: 65-2544466
Fax: 65-2504466
Email: ap.support@nsc.com

National Semiconductor Japan Ltd.
Tel: 81-3-5639-7560
Fax: 81-3-5639-7507