

# LM828

## Switched Capacitor Voltage Converter

### General Description

The LM828 CMOS charge-pump voltage converter inverts a positive voltage in the range of +1.8V to +5.5V to the corresponding negative voltage of -1.8V to -5.5V. The LM828 uses two low cost capacitors to provide up to 25 mA of output current.

The LM828 operates at 12 kHz switching frequency to reduce output resistance and voltage ripple. With an operating current of only 40  $\mu$ A (operating efficiency greater than 96% with most loads), the LM828 provides ideal performance for battery powered systems. The device is in a tiny SOT-23-5 package.

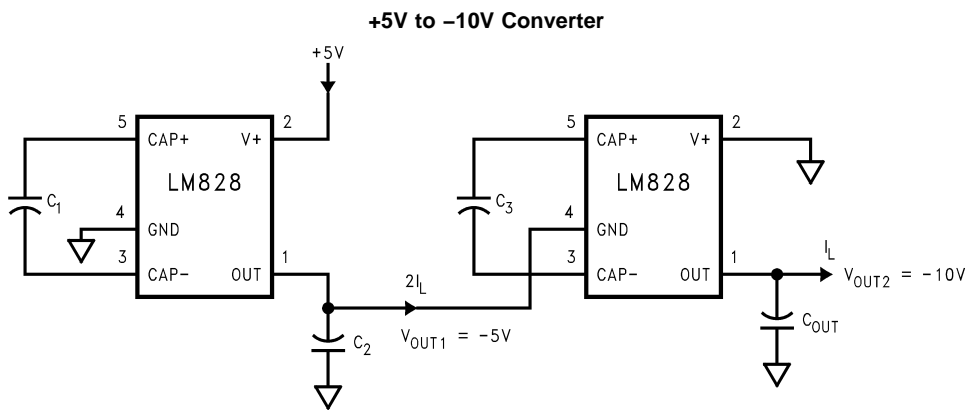
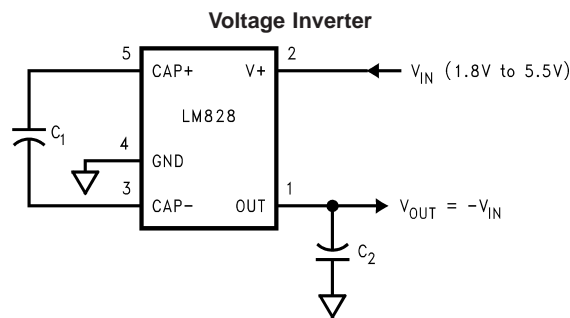
### Features

- Inverts Input Supply Voltage
- SOT-23-5 Package
- 20 $\Omega$  Typical Output Impedance
- 97% Typical Conversion Efficiency at 5 mA

### Applications

- Cellular Phones
- Pagers
- PDAs
- Operational Amplifier Power Supplies
- Interface Power Supplies
- Handheld Instruments

### Basic Application Circuits



**Absolute Maximum Ratings** (Note 1)

If Military/Aerospace specified devices are required, please contact the National Semiconductor Sales Office/ Distributors for availability and specifications.

Supply Voltage (V+ to GND, or GND to OUT)	5.8V	$T_{JMax}$ (Note 3)	150°C
V+ and OUT Continuous Output Current	50 mA	$\theta_{JA}$ (Note 3)	300°C/W
Output Short-Circuit Duration to GND (Note 2)	1 sec.	Operating Junction Temperature Range	-40°C to 85°C
Continuous Power Dissipation ( $T_A = 25^\circ\text{C}$ )(Note 3)	240 mW	Storage Temperature Range	-65°C to +150°C
		Lead Temp. (Soldering, 10 seconds)	300°C
		ESD Rating (Note 7)	2kV

**Electrical Characteristics**

Limits in standard typeface are for  $T_J = 25^\circ\text{C}$ , and limits in **boldface** type apply over the full operating temperature range. Unless otherwise specified:  $V_+ = 5\text{V}$ ,  $C_1 = C_2 = 10\ \mu\text{F}$ . (Note 4)

Symbol	Parameter	Condition	Min	Typ	Max	Units
V+	Supply Voltage	$R_L = 10\text{k}\Omega$	<b>1.8</b>		<b>5.5</b>	V
$I_Q$	Supply Current	No Load		40	75 <b>115</b>	$\mu\text{A}$
$R_{OUT}$	Output Resistance (Note 5)	$I_L = 5\ \text{mA}$		20	<b>65</b>	$\Omega$
$f_{OSC}$	Oscillator Frequency (Note 6)	Internal	<b>12</b>	24	<b>56</b>	kHz
$f_{SW}$	Switching Frequency (Note 6)	Measured at CAP+	<b>6</b>	12	<b>28</b>	kHz
$P_{EFF}$	Power Efficiency	$I_L = 5\ \text{mA}$		97		%
$V_{OEFF}$	Voltage Conversion Efficiency	No Load	<b>95</b>	99.96		%

**Note 1:** Absolute maximum ratings indicate limits beyond which damage to the device may occur. Electrical specifications do not apply when operating the device beyond its rated operating conditions.

**Note 2:** OUT may be shorted to GND for one second without damage. However, shorting OUT to V+ may damage the device and should be avoided. Also, for temperatures above 85°C, OUT must not be shorted to GND or V+, or the device may be damaged.

**Note 3:** The maximum allowable power dissipation is calculated by using  $P_{DMax} = (T_{JMax} - T_A)/\theta_{JA}$ , where  $T_{JMax}$  is the maximum junction temperature,  $T_A$  is the ambient temperature, and  $\theta_{JA}$  is the junction-to-ambient thermal resistance of the package.

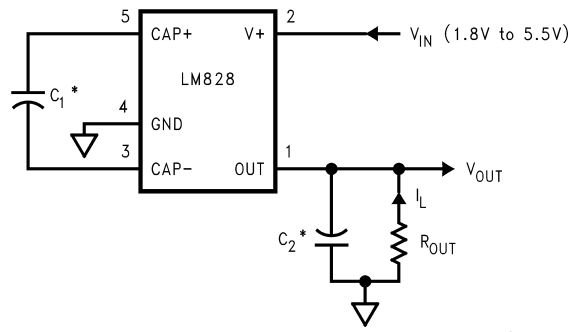
**Note 4:** In the test circuit, capacitors  $C_1$  and  $C_2$  are 10  $\mu\text{F}$ , 0.3 $\Omega$  maximum ESR capacitors. Capacitors with higher ESR will increase output resistance, reduce output voltage and efficiency.

**Note 5:** Specified output resistance includes internal switch resistance and capacitor ESR. See the details in the application information.

**Note 6:** The output switches operate at one half of the oscillator frequency,  $f_{OSC} = 2f_{SW}$ .

**Note 7:** The human body model is a 100 pF capacitor discharged through a 1.5 k $\Omega$  resistor into each pin.

## Test Circuit



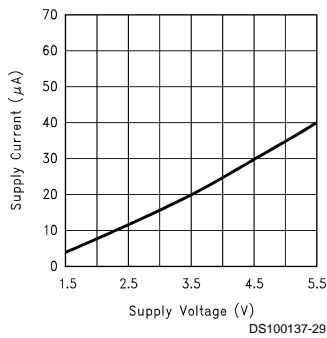
DS100137-3

\*C<sub>1</sub> and C<sub>2</sub> are 10 μF capacitors.

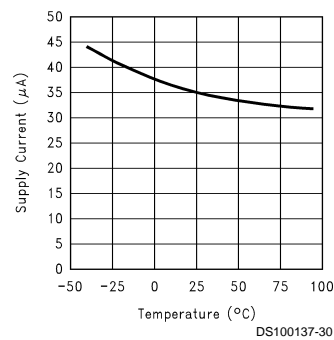
FIGURE 1. LM828 Test Circuit

## Typical Performance Characteristics (Circuit of Figure 1, V<sub>+</sub> = 5V unless otherwise specified)

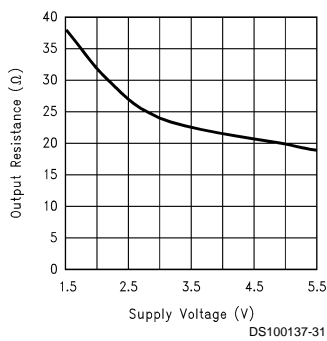
### Supply Current vs Supply Voltage



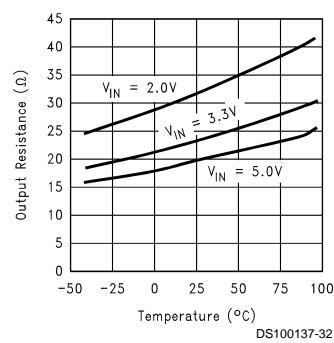
### Supply Current vs Temperature



### Output Source Resistance vs Supply Voltage

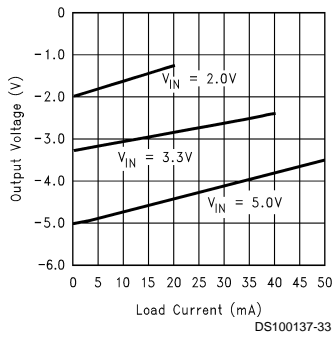


### Output Source Resistance vs Temperature

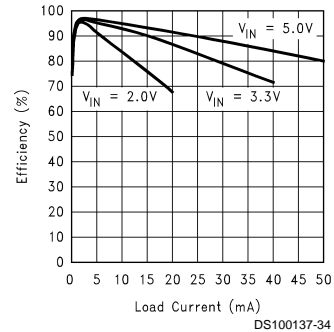


## Typical Performance Characteristics (Circuit of Figure 1, $V_+$ = 5V unless otherwise specified) (Continued)

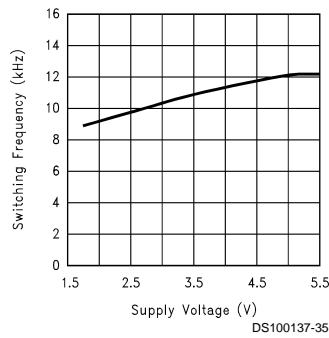
**Output Voltage vs Load Current**



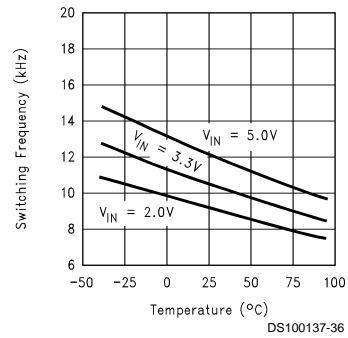
**Efficiency vs Load Current**



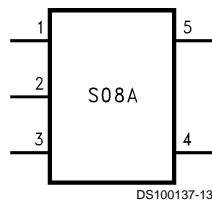
**Switching Frequency vs Supply Voltage**



**Switching Frequency vs Temperature**



## Connection Diagram



Top View With Package Marking

5-Lead Small Outline Package (M5)



Actual Size

## Ordering Information

Order Number	Package Number	Package Marking	Supplied as
LM828M5	MA05B	S08A (Note 8)	Tape and Reel (250 units/rail)
LM828M5X	MA05B	S08A (Note 8)	Tape and Reel (3000 units/rail)

**Note 8:** The first letter 'S' identifies the part as a switched capacitor converter. The next two numbers are the device number. Larger quantity reels are available upon request.

## Pin Description

Pin	Name	Function
1	OUT	Negative voltage output.
2	V+	Power supply positive input.
3	CAP-	Connect this pin to the negative terminal of the charge-pump capacitor.
4	GND	Power supply ground input.
5	CAP+	Connect this pin to the positive terminal of the charge-pump capacitor.

## Circuit Description

The LM828 contains four large CMOS switches which are switched in a sequence to invert the input supply voltage. Energy transfer and storage are provided by external capacitors. Figure 2 illustrates the voltage conversion scheme. When S<sub>1</sub> and S<sub>3</sub> are closed, C<sub>1</sub> charges to the supply voltage V+. During this time interval, switches S<sub>2</sub> and S<sub>4</sub> are open. In the second time interval, S<sub>1</sub> and S<sub>3</sub> are open; at the same time, S<sub>2</sub> and S<sub>4</sub> are closed, C<sub>1</sub> is charging C<sub>2</sub>. After a number of cycles, the voltage across C<sub>2</sub> will be pumped to V+. Since the anode of C<sub>2</sub> is connected to ground, the output at the cathode of C<sub>2</sub> equals -(V+) when there is no load current. The output voltage drop when a load is added is determined by the parasitic resistance (R<sub>ds(on)</sub> of the MOSFET switches and the ESR of the capacitors) and the charge transfer loss between capacitors.

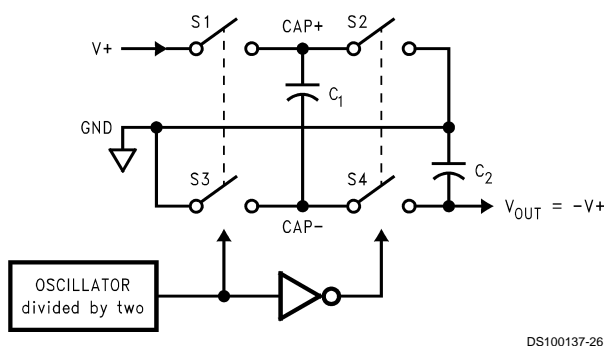


FIGURE 2. Voltage Inverting Principle

## Application Information

### Simple Negative Voltage Converter

The main application of LM828 is to generate a negative supply voltage. The voltage inverter circuit uses only two external capacitors as shown in the Basic Application Circuits. The range of the input supply voltage is 1.8V to 5.5V. The output characteristics of this circuit can be approximated by an ideal voltage source in series with a resistance. The voltage source equals -(V+). The output resistance, R<sub>out</sub>, is

a function of the ON resistance of the internal MOSFET switches, the oscillator frequency, the capacitance and the ESR of both C<sub>1</sub> and C<sub>2</sub>. Since the switching current charging and discharging C<sub>1</sub> is approximately twice as the output current, the effect of the ESR of the pumping capacitor C<sub>1</sub> will be multiplied by four in the output resistance. The output capacitor C<sub>2</sub> is charging and discharging at a current approximately equal to the output current, therefore, this ESR term only counts once in the output resistance. A good approximation of R<sub>out</sub> is:

$$R_{OUT} \cong 2R_{SW} + \frac{2}{f_{OSC} \times C_1} + 4ESR_{C1} + ESR_{C2}$$

where R<sub>SW</sub> is the sum of the ON resistance of the internal MOSFET switches shown in Figure 2.

High capacitance, low ESR capacitors will reduce the output resistance.

The peak-to-peak output voltage ripple is determined by the oscillator frequency, the capacitance and ESR of the output capacitor C<sub>2</sub>:

$$V_{RIPPLE} = \frac{I_L}{f_{OSC} \times C_2} + 2 \times I_L \times ESR_{C2}$$

Again, using a low ESR capacitor will result in lower ripple.

### Capacitor Selection

The output resistance and ripple voltage are dependent on the capacitance and ESR values of the external capacitors. The output voltage drop is the load current times the output resistance, and the power efficiency is

$$\eta = \frac{P_{OUT}}{P_{IN}} = \frac{I_L^2 R_L}{I_L^2 R_L + I_L^2 R_{OUT} + I_Q (V+)}$$

Where I<sub>Q</sub>(V+) is the quiescent power loss of the IC device, and I<sub>L</sub><sup>2</sup>R<sub>out</sub> is the conversion loss associated with the switch on-resistance, the two external capacitors and their ESRs.

The selection of capacitors is based on the specifications of the dropout voltage (which equals I<sub>out</sub> R<sub>out</sub>), the output voltage ripple, and the converter efficiency. Low ESR capacitors (following table) are recommended to maximize efficiency, reduce the output voltage drop and voltage ripple.

## Low ESR Capacitor Manufacturers

Manufacturer	Phone	Capacitor Type
Nichicon Corp.	(708)-843-7500	PL & PF series, through-hole aluminum electrolytic
AVX Corp.	(803)-448-9411	TPS series, surface-mount tantalum
Sprague	(207)-324-4140	593D, 594D, 595D series, surface-mount tantalum
Sanyo	(619)-661-6835	OS-CON series, through-hole aluminum electrolytic
Murata	(800)-831-9172	Ceramic chip capacitors

## Application Information (Continued)

### Low ESR Capacitor Manufacturers (Continued)

Manufacturer	Phone	Capacitor Type
Taiyo Yuden	(800)-348-2496	Ceramic chip capacitors
Tokin	(408)-432-8020	Ceramic chip capacitors

### Other Applications

#### Paralleling Devices

Any number of LM828s can be paralleled to reduce the output resistance. Each device must have its own pumping capacitor  $C_1$ , while only one output capacitor  $C_{out}$  is needed as shown in Figure 3. The composite output resistance is:

$$R_{OUT} = \frac{R_{OUT \text{ of each LM828}}}{\text{Number of Devices}}$$

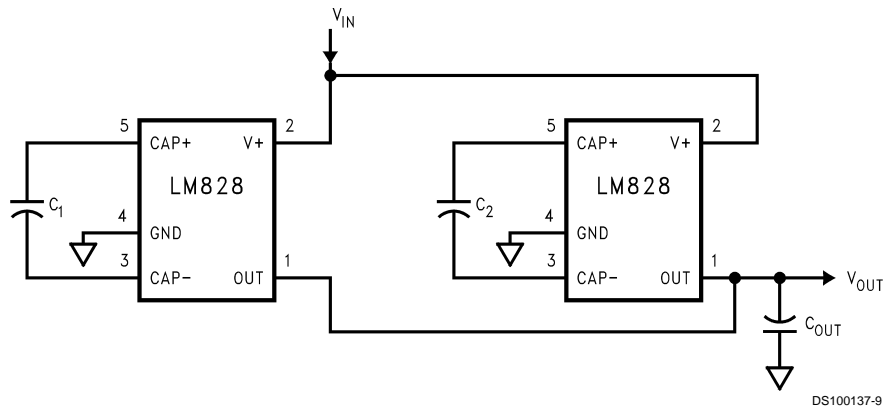


FIGURE 3. Lowering Output Resistance by Paralleling Devices

#### Cascading Devices

Cascading the LM828s is an easy way to produce a greater negative voltage (e.g. A two-stage cascade circuit is shown in Figure 4).

If  $n$  is the integer representing the number of devices cascaded, the unloaded output voltage  $V_{out}$  is  $(-nV_{in})$ . The effective output resistance is equal to the weighted sum of each individual device:

$$R_{out} = nR_{out_1} + n/2 R_{out_2} + \dots + R_{out_n}$$

This can be seen by first assuming that each device is 100 percent efficient. Since the output voltage is different on each device the output current is as well. Each cascaded device sees less current at the output than the previous so the  $R_{OUT}$  voltage drop is lower in each device added. Note that, the number of  $n$  is practically limited since the increasing of  $n$  significantly reduces the efficiency, and increases the output resistance and output voltage ripple.

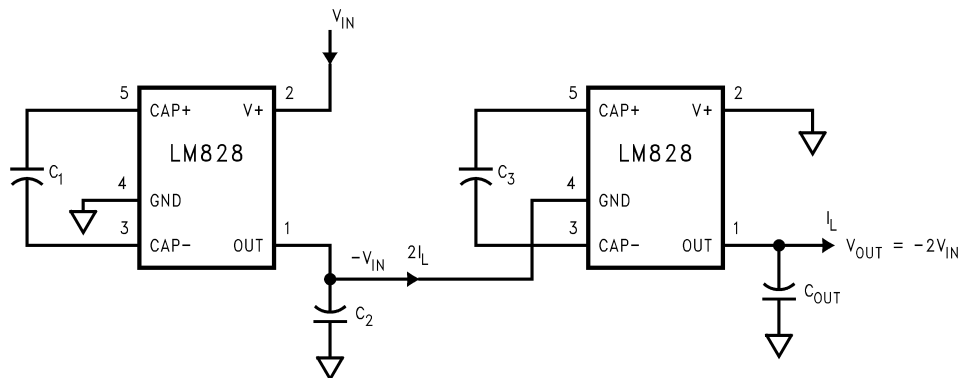
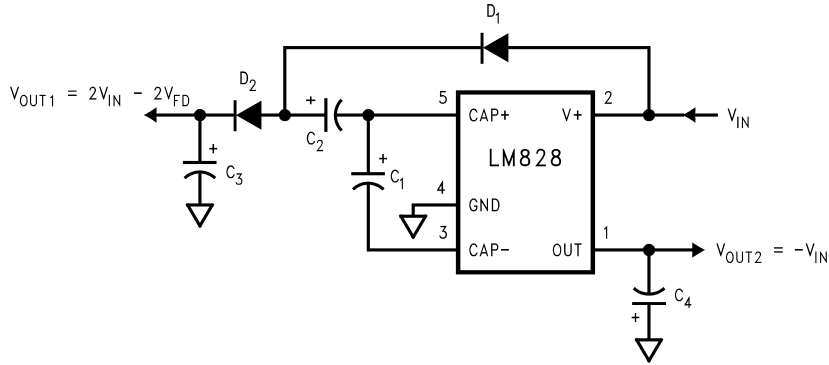


FIGURE 4. Increasing Output Voltage by Cascading Devices

#### Combined Doubler and Inverter

### Other Applications (Continued)

In Figure 5, the LM828 is used to provide a positive voltage doubler and a negative voltage converter. Note that the total current drawn from the two outputs should not exceed 40 mA.



DS100137-11

FIGURE 5. Combined Voltage Doubler and Inverter

### Regulating V<sub>OUT</sub>

It is possible to regulate the negative output of the LM828 by use of a low dropout regulator (such as the LP2980). The whole converter is depicted in Figure 6. This converter can give a regulated output from -1.8V to -5.5V by choosing the proper resistor ratio:

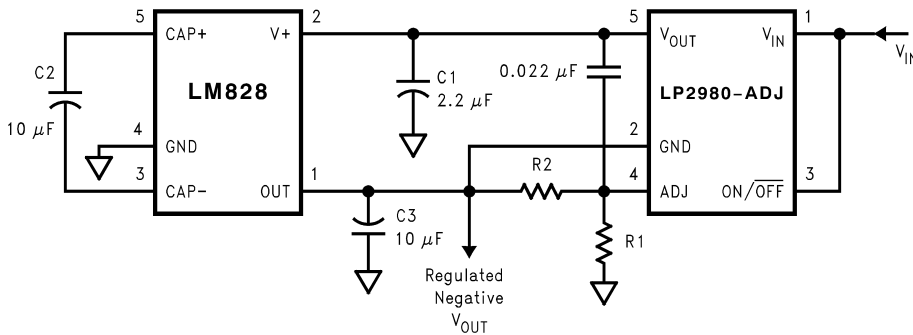
$$V_{out} = V_{ref} (1 + R_1/R_2)$$

where,  $V_{ref} = 1.23V$

Note that the following conditions must be satisfied simultaneously for worst case design:

$$V_{in\_min} > V_{out\_min} + V_{drop\_max} (LP2980) + I_{out\_max} \times R_{out\_max} (LM828)$$

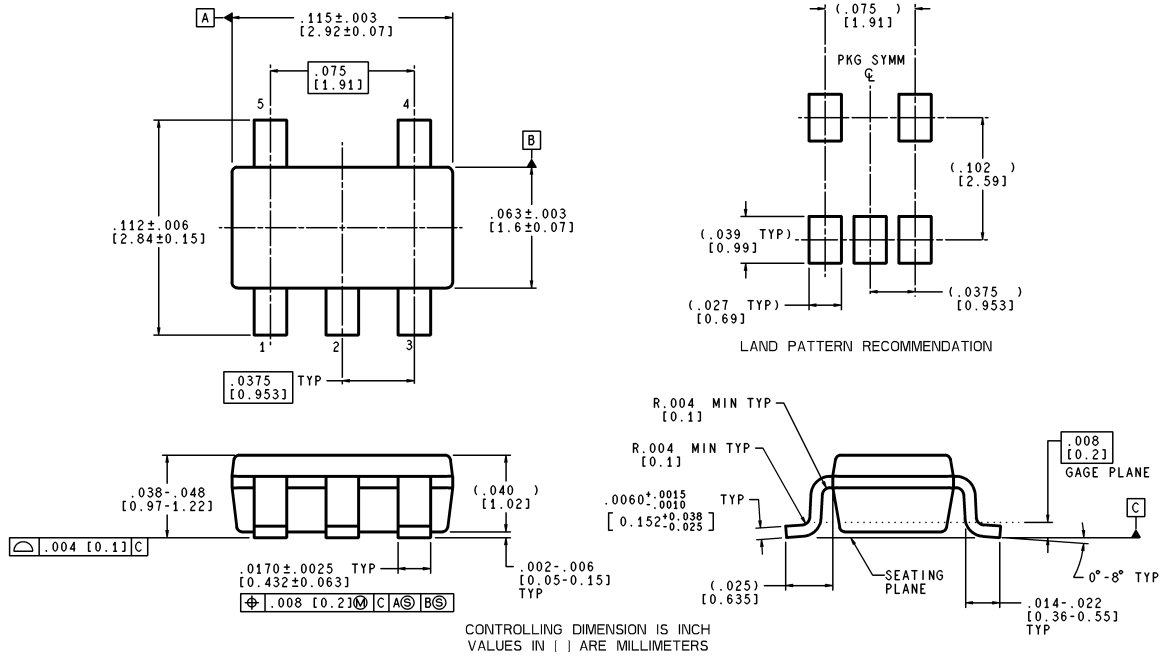
$$V_{in\_max} < V_{out\_max} + V_{drop\_min} (LP2980) + I_{out\_min} \times R_{out\_min} (LM828)$$



DS100137-12

FIGURE 6. Combining LM828 with LP2980 to Make a Negative Adjustable Regulator

## Physical Dimensions inches (millimeters) unless otherwise noted



MF05A (Rev A)

### 5-Lead Small Outline Package (M5) NS Package Number MF05A

For Order Numbers, refer to the table in the 'Ordering Information' section of this document.

#### LIFE SUPPORT POLICY

NATIONAL'S PRODUCTS ARE NOT AUTHORIZED FOR USE AS CRITICAL COMPONENTS IN LIFE SUPPORT DEVICES OR SYSTEMS WITHOUT THE EXPRESS WRITTEN APPROVAL OF THE PRESIDENT AND GENERAL COUNSEL OF NATIONAL SEMICONDUCTOR CORPORATION. As used herein:

1. Life support devices or systems are devices or systems which, (a) are intended for surgical implant into the body, or (b) support or sustain life, and whose failure to perform when properly used in accordance with instructions for use provided in the labeling, can be reasonably expected to result in a significant injury to the user.
2. A critical component is any component of a life support device or system whose failure to perform can be reasonably expected to cause the failure of the life support device or system, or to affect its safety or effectiveness.



**National Semiconductor Corporation**  
Americas  
Email: support@nsc.com

**National Semiconductor Europe**  
Fax: +49 (0) 180-530 85 86  
Email: europe.support@nsc.com  
Deutsch Tel: +49 (0) 69 9508 6208  
English Tel: +44 (0) 870 24 0 2171  
Français Tel: +33 (0) 1 41 91 8790

**National Semiconductor Asia Pacific Customer Response Group**  
Tel: 65-2544466  
Fax: 65-2504466  
Email: ap.support@nsc.com

**National Semiconductor Japan Ltd.**  
Tel: 81-3-5639-7560  
Fax: 81-3-5639-7507

www.national.com