

LM3478

High Efficiency Low-Side N-Channel Controller for Switching Regulator

General Description

The LM3478 is a versatile Low-Side N-FET switching regulator controller. It is suitable for use in topologies requiring low side FET, such as boost, flyback, SEPIC, etc. Moreover, the LM3478 can be operated at extremely high switching frequency in order to reduce the overall solution size. The switching frequency of LM3478 can be adjusted to any value between 100kHz and 1MHz by using a single external resistor. Current mode control provides superior bandwidth and transient response, besides cycle-by-cycle current limiting. Output current can be programmed with a single external resistor.

The LM3478 has built in features such as thermal shutdown, short-circuit protection, over voltage protection, etc. Power saving shutdown mode reduces the total supply current to 5 μ A and allows power supply sequencing. Internal soft-start limits the inrush current at start-up.

Key Specifications

- Wide supply voltage range of 2.97V to 40V
- 100kHz to 1MHz Adjustable clock frequency
- $\pm 2.5\%$ (over temperature) internal reference

- 10 μ A shutdown current (over temperature)

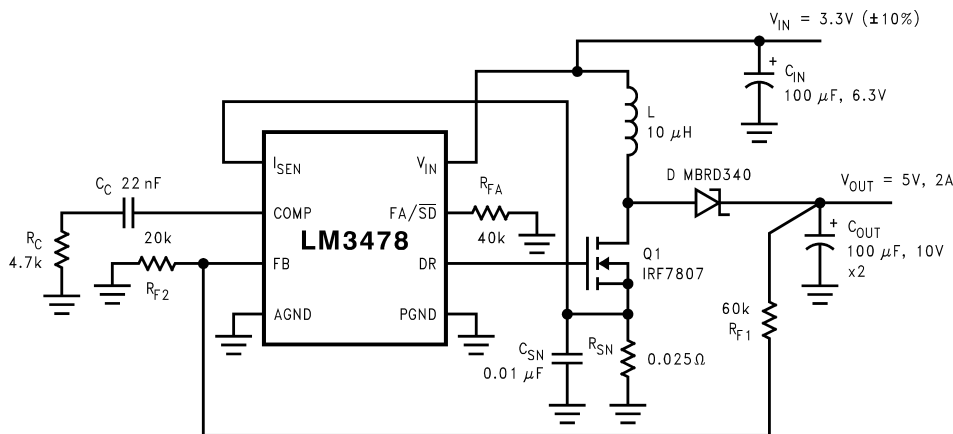
Features

- 8-lead Mini-SO8 (MSOP-8) package
- Internal push-pull driver with 1A peak current capability
- Current limit and thermal shutdown
- Frequency compensation optimized with a capacitor and a resistor
- Internal softstart
- Current Mode Operation
- Undervoltage Lockout with hysteresis

Applications

- Distributed Power Systems
- Battery Chargers
- Offline Power Supplies
- Telecom Power Supplies
- Automotive Power Systems

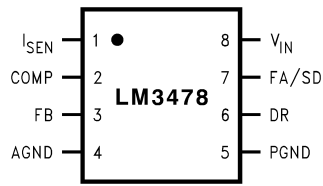
Typical Application Circuit



Typical High Efficiency Step-Up (Boost) Converter

10135501

Connection Diagram



8 Lead Mini SO8 Package (MSOP-8 Package)

Package Marking and Ordering Information

Order Number	Package Type	Package Marking	Supplied As:
LM3478MM	MSOP-8	S14B	1000 units on Tape and Reel
LM3478MMX	MSOP-8	S14B	3500 units on Tape and Reel

Pin Description

Pin Name	Pin Number	Description
I_{SEN}	1	Current sense input pin. Voltage generated across an external sense resistor is fed into this pin.
COMP	2	Compensation pin. A resistor, capacitor combination connected to this pin provides compensation for the control loop.
FB	3	Feedback pin. The output voltage should be adjusted using a resistor divider to provide 1.26V at this pin.
AGND	4	Analog ground pin.
PGND	5	Power ground pin.
DR	6	Drive pin of the IC. The gate of the external MOSFET should be connected to this pin.
FA/SD	7	Frequency adjust and Shutdown pin. A resistor connected to this pin sets the oscillator frequency. A high level on this pin for $\geq 30\mu s$ will turn the device off. The device will then draw less than $10\mu A$ from the supply.
V_{IN}	8	Power Supply Input pin.

Absolute Maximum Ratings (Note 1)

If Military/Aerospace specified devices are required, please contact the National Semiconductor Sales Office/Distributors for availability and specifications.

Input Voltage	45V
FB Pin Voltage	$-0.4V < V_{FB} < 7V$
FA/SD Pin Voltage	$-0.4V < V_{FA/SD} < 7V$
Peak Driver Output Current (<10 μ s)	1.0A
Power Dissipation	Internally Limited
Storage Temperature Range	-65°C to +150°C
Junction Temperature	+150°C
ESD Susceptibility	
Human Body Model (Note 2)	2kV

Lead Temperature	
MM Package	
Vapor Phase (60 sec.)	215°C
Infrared (15 sec.)	220°C
DR Pin Voltage	$-0.4V \leq V_{DR} \leq 8V$
I _{SEN} Pin Voltage	500mV

Operating Ratings (Note 1)

Supply Voltage	$2.97V \leq V_{IN} \leq 40V$
Junction	
Temperature Range	$-40^\circ C \leq T_J \leq +125^\circ C$
Switching Frequency	$100kHz \leq F_{SW} \leq 1MHz$

Electrical Characteristics

Specifications in Standard type face are for $T_J = 25^\circ C$, and in **bold type face** apply over the full **Operating Temperature Range**. Unless otherwise specified, $V_{IN} = 12V$, $R_{FA} = 40k\Omega$

Symbol	Parameter	Conditions	Typical	Limit	Units
V_{FB}	Feedback Voltage	$V_{COMP} = 1.4V$, $2.97 \leq V_{IN} \leq 40V$	1.26	1.2416/ 1.228 1.2843/ 1.292	V V(min) V(max)
ΔV_{LINE}	Feedback Voltage Line Regulation	$2.97 \leq V_{IN} \leq 40V$	0.001		%/V
ΔV_{LOAD}	Output Voltage Load Regulation	I _{EAO} Source/Sink	± 0.5		%/V (max)
V_{UVLO}	Input Undervoltage Lock-out		2.85	2.97	V V(max)
$V_{UV(HYS)}$	Input Undervoltage Lock-out Hysteresis		170	130 210	mV mV (min) mV (max)
F_{nom}	Nominal Switching Frequency	$R_{FA} = 40k\Omega$	400	360 430	kHz kHz(min) kHz(max)
$R_{DS1(ON)}$	Driver Switch On Resistance (top)	I _{DR} = 0.2A, $V_{IN} = 5V$	16		Ω
$R_{DS2(ON)}$	Driver Switch On Resistance (bottom)	I _{DR} = 0.2A	4.5		Ω
$V_{DR(max)}$	Maximum Drive Voltage Swing(Note 6)	$V_{IN} < 7.2V$ $V_{IN} \geq 7.2V$	V_{IN} 7.2		V
D_{max}	Maximum Duty Cycle(Note 7)		100		%
$T_{min(ON)}$	Minimum On Time		325	210 600	nsec nsec(min) nsec(max)
I_{SUPPLY}	Supply Current (switching)	(Note 9)	2.0	3.0	mA mA (max)
I_Q	Quiescent Current in Shutdown Mode	$V_{FA/SYNC/SD} = 5V$ (Note 10), $V_{IN} = 5V$	5	10	μA μA (max)
V_{SENSE}	Current Sense Threshold Voltage	$V_{IN} = 5V$	165	140/ 135 195/ 200	mV mV (min) mV (max)

Electrical Characteristics (Continued)

Specifications in Standard type face are for $T_J = 25^\circ\text{C}$, and in **bold type face** apply over the full **Operating Temperature Range**. Unless otherwise specified, $V_{IN} = 12\text{V}$, $R_{FA} = 40\text{k}\Omega$

Symbol	Parameter	Conditions	Typical	Limit	Units
V_{SC}	Short-Circuit Current Limit Sense Voltage	$V_{IN} = 5\text{V}$	325	235 395	mV mV (min) mV (max)
V_{SL}	Internal Compensation Ramp Voltage	$V_{IN} = 5\text{V}$	92	52 132	mV mV(min) mV(max)
V_{OVP}	Output Over-voltage Protection (with respect to feedback voltage) (Note 8)	$V_{COMP} = 1.4\text{V}$	50	32/ 25 78/ 85	mV mV(min) mV(max)
$V_{OVP(HYS)}$	Output Over-Voltage Protection Hysteresis(Note 8)	$V_{COMP} = 1.4\text{V}$	60	20 110	mV mV(min) mV(max)
Gm	Error Amplifier Transconductance	$V_{COMP} = 1.4\text{V}$ $I_{EAO} = 100\mu\text{A}$ (Source/Sink)	800	600/ 365 1000/ 1265	μmho μmho (min) μmho (max)
A_{VOL}	Error Amplifier Voltage Gain	$V_{COMP} = 1.4\text{V}$ $I_{EAO} = 100\mu\text{A}$ (Source/Sink)	38	26 44	V/V V/V (min) V/V (max)
I_{EAO}	Error Amplifier Output Current (Source/ Sink)	Source, $V_{COMP} = 1.4\text{V}$, $V_{FB} = 0\text{V}$	110	80/ 50 140/ 180	μA μA (min) μA (max)
		Sink, $V_{COMP} = 1.4\text{V}$, V_{FB} $= 1.4\text{V}$	-140	-100/ -85 -180/ -185	μA μA (min) μA (max)
V_{EAO}	Error Amplifier Output Voltage Swing	Upper Limit $V_{FB} = 0\text{V}$ COMP Pin = Floating	2.2	1.8 2.4	V V(min) V(max)
		Lower Limit $V_{FB} = 1.4\text{V}$	0.56	0.2 1.0	V V(min) V(max)
T_{SS}	Internal Soft-Start Delay	$V_{FB} = 1.2\text{V}$, $V_{COMP} =$ Floating	4		msec
T_r	Drive Pin Rise Time	$C_{gs} = 3000\text{pf}$, $V_{DR} = 0$ to 3V	25		ns
T_f	Drive Pin Fall Time	$C_{gs} = 3000\text{pf}$, $V_{DR} = 0$ to 3V	25		ns
VSD	Shutdown threshold (Note 5)	Output = High	1.27	1.35	V V (max)
		Output = Low	0.65	0.35	V V (min)
I_{SD}	Shutdown Pin Current	$V_{SD} = 5\text{V}$	-1		μA
		$V_{SD} = 0\text{V}$	+1		
TSD	Thermal Shutdown		165		$^\circ\text{C}$
T_{sh}	Thermal Shutdown Hysteresis		10		$^\circ\text{C}$
θ_{JA}	Thermal Resistance	MM Package	200		$^\circ\text{C/W}$

Electrical Characteristics (Continued)

Note 1: Absolute Maximum Ratings are limits beyond which damage to the device may occur. Operating Ratings are conditions under which operation of the device is intended to be functional. For guaranteed specifications and test conditions, see the Electrical Characteristics.

Note 2: The human body model is a 100 pF capacitor discharged through a 1.5k Ω resistor into each pin.

Note 3: All limits are guaranteed at room temperature (standard type face) and at **temperature extremes (bold type face)**. All room temperature limits are 100% tested. All limits at **temperature extremes** are guaranteed via correlation using standard Statistical Quality Control (SQC) methods. All limits are used to calculate Average Outgoing Quality Level (AOQL).

Note 4: Typical numbers are at 25°C and represent the most likely norm.

Note 5: The FA/SD pin should be pulled to V_{IN} through a resistor to turn the regulator off. The voltage on the FA/SD pin must be above the maximum limit for Output = High to keep the regulator off and must be below the limit for Output = Low to keep the regulator on.

Note 6: The voltage on the drive pin, V_{DR} is equal to the input voltage when input voltage is less than 7.2V. V_{DR} is equal to 7.2V when the input voltage is greater than or equal to 7.2V.

Note 7: The limits for the maximum duty cycle can not be specified since the part does not permit less than 100% maximum duty cycle operation.

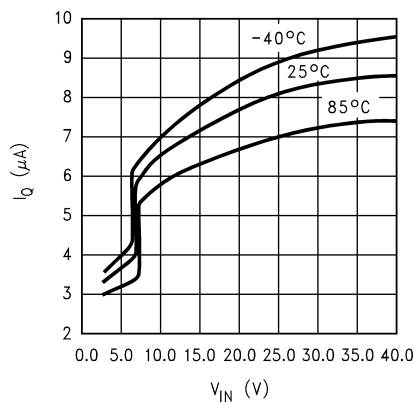
Note 8: The over-voltage protection is specified with respect to the feedback voltage. This is because the over-voltage protection tracks the feedback voltage. The overvoltage protection threshold is given by adding the feedback voltage, V_{FB} to the over-voltage protection specification.

Note 9: For this test, the FA/SD pin is pulled to ground using a 40K resistor.

Note 10: For this test, the FA/SD pin is pulled to 5V using a 40K resistor.

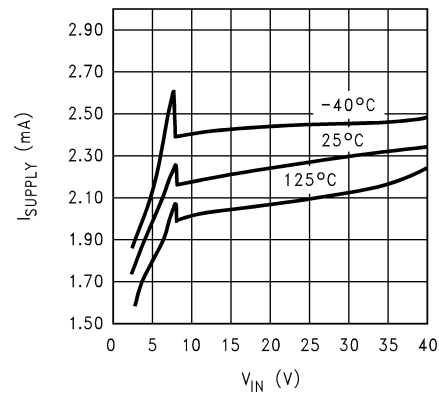
Typical Performance Characteristics Unless otherwise specified, $V_{IN} = 12V$, $T_J = 25^\circ C$.

I_Q vs Input Voltage (Shutdown)



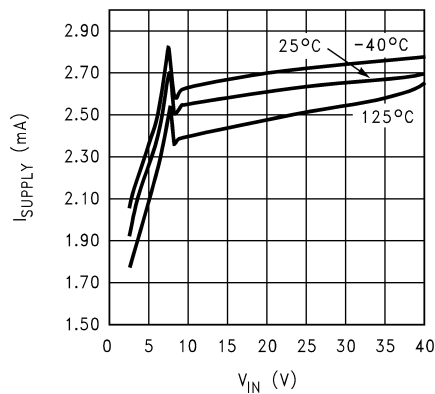
10135503

I_{SUPPLY} vs Input Voltage (Non-Switching)



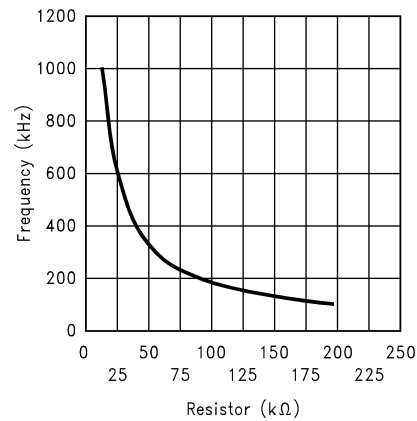
10135534

I_{SUPPLY} vs V_{IN} (Switching)



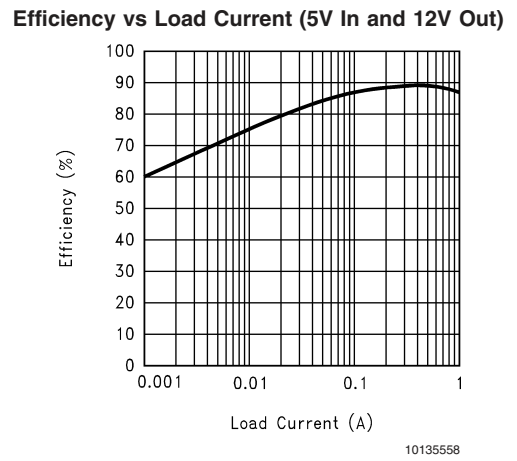
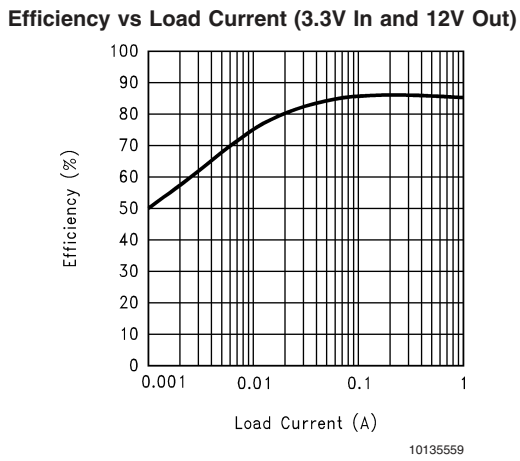
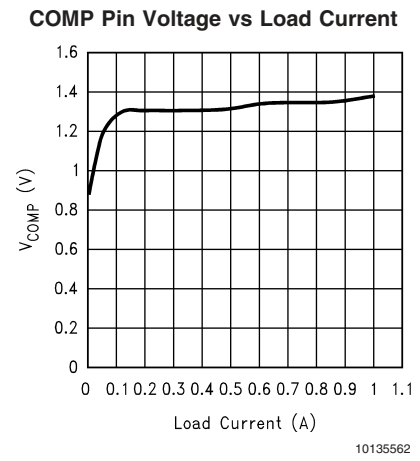
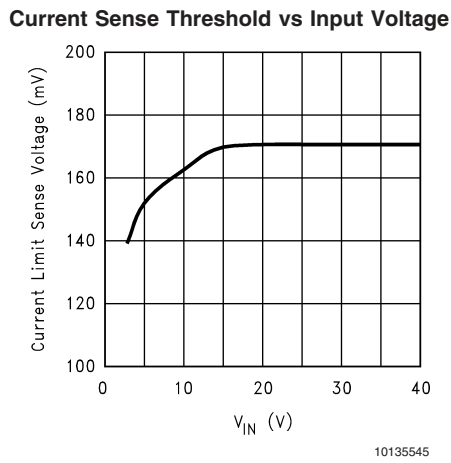
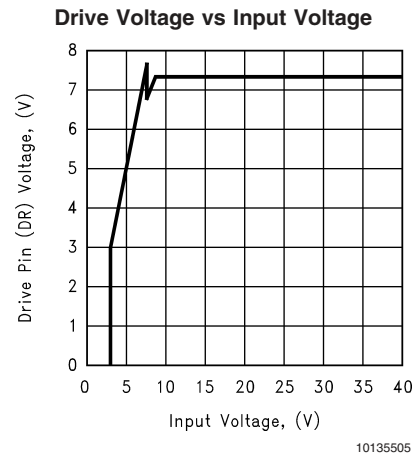
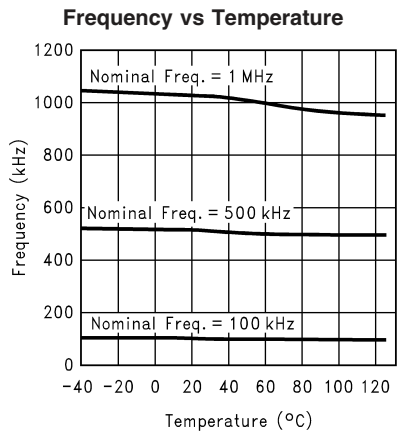
10135535

Switching Frequency vs R_{FA}



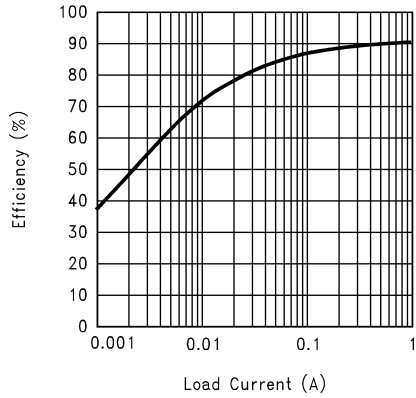
10135504

Typical Performance Characteristics Unless otherwise specified, $V_{IN} = 12V$, $T_J = 25^\circ C$. (Continued)



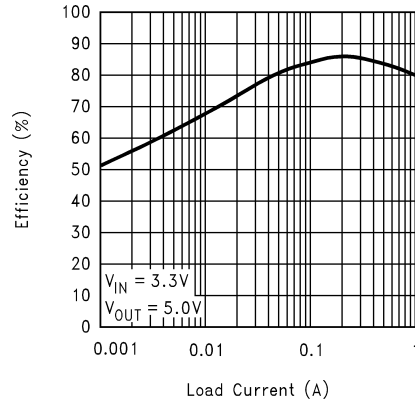
Typical Performance Characteristics Unless otherwise specified, $V_{IN} = 12V$, $T_J = 25^\circ C$. (Continued)

Efficiency vs Load Current (9V In and 12V Out)



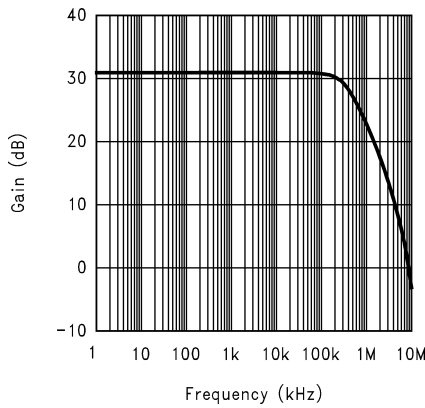
10135560

Efficiency vs Load Current (3.3V In and 5V Out)



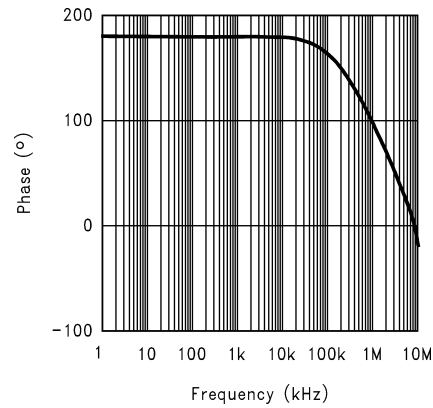
10135553

Error Amplifier Gain



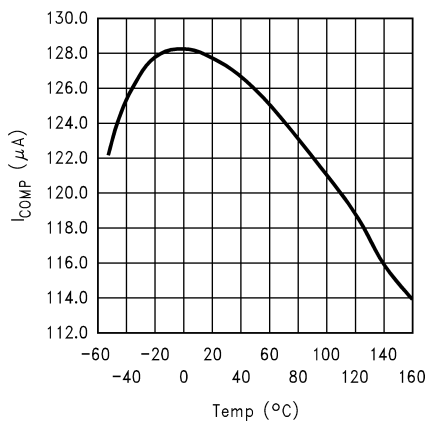
10135555

Error Amplifier Phase



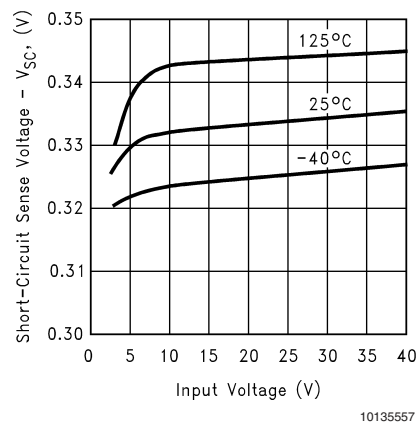
10135556

COMP Pin Source Current vs Temperature



10135536

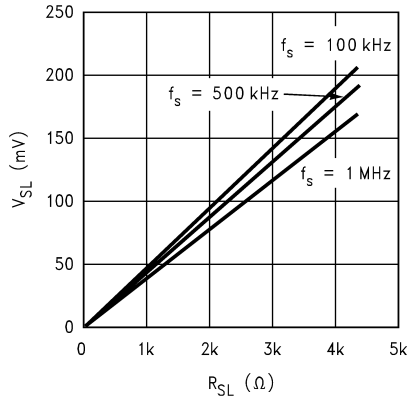
Short-Circuit Sense Voltage vs Input Voltage



10135557

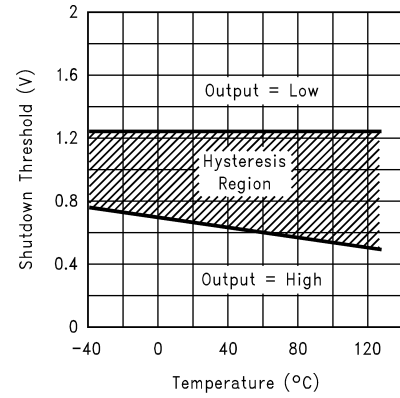
Typical Performance Characteristics Unless otherwise specified, $V_{IN} = 12V$, $T_J = 25^\circ C$. (Continued)

Compensation Ramp vs Compensation Resistor



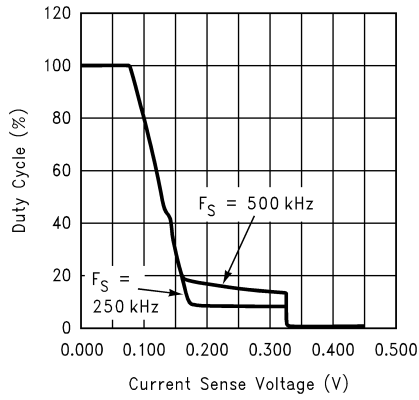
10135551

Shutdown Threshold Hysteresis vs Temperature



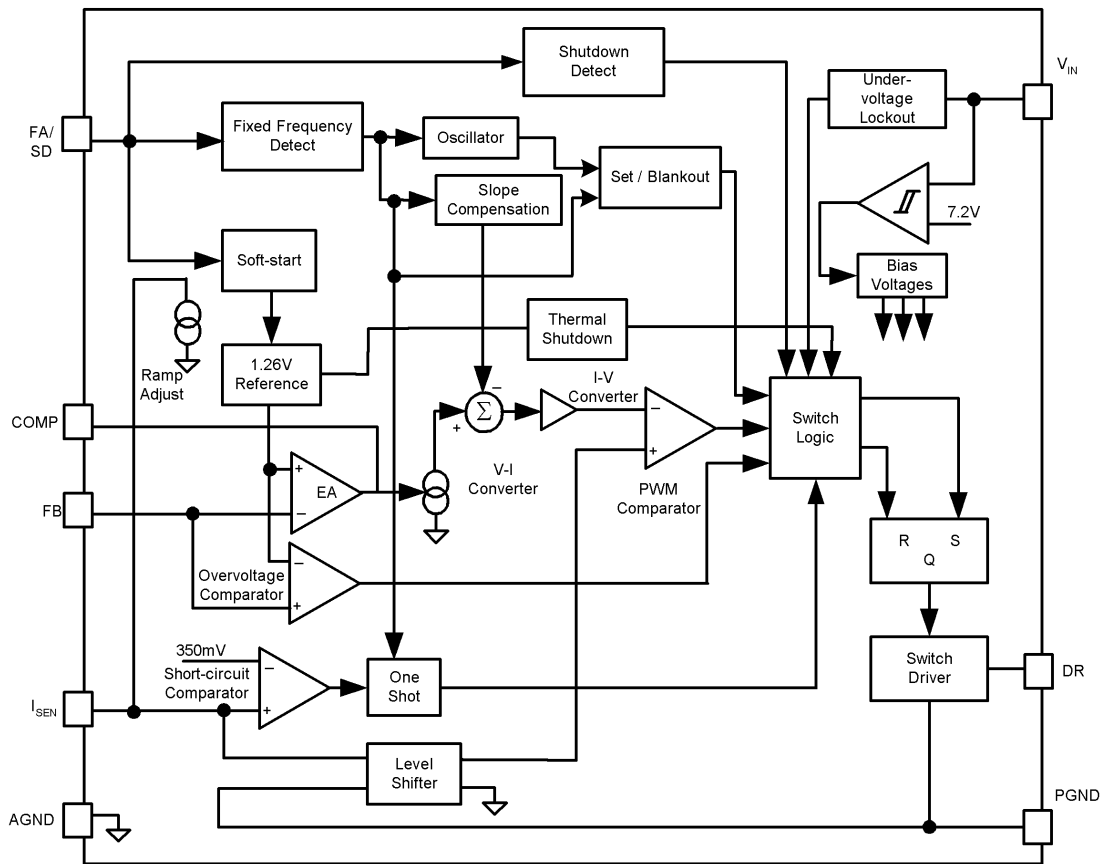
10135546

Duty Cycle vs Current Sense Voltage



10135552

Functional Block Diagram



10135506

Functional Description

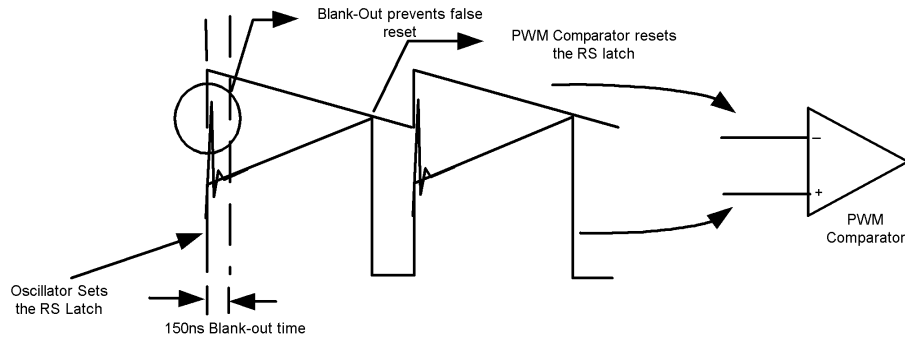
The LM3478 uses a fixed frequency, Pulse Width Modulated (PWM), current mode control architecture. In a typical application circuit, the peak current through the external MOSFET is sensed through an external sense resistor. The voltage across this resistor is fed into the I_{SEN} pin. This voltage is then level shifted and fed into the positive input of the PWM comparator. The output voltage is also sensed through an external feedback resistor divider network and fed into the error amplifier negative input (feedback pin, FB). The output of the error amplifier (COMP pin) is added to the slope compensation ramp and fed into the negative input of the PWM comparator.

At the start of any switching cycle, the oscillator sets the RS latch using the SET/Blank-out and switch logic blocks. This forces a high signal on the DR pin (gate of the external MOSFET) and the external MOSFET turns on. When the voltage on the positive input of the PWM comparator exceeds the negative input, the RS latch is reset and the external MOSFET turns off.

The voltage sensed across the sense resistor generally contains spurious noise spikes, as shown in *Figure 1*. These spikes can force the PWM comparator to reset the RS latch prematurely. To prevent these spikes from resetting the latch, a blank-out circuit inside the IC prevents the PWM comparator from resetting the latch for a short duration after the latch is set. This duration is about 150ns and is called the blank-out time.

Under extremely light load or no-load conditions, the energy delivered to the output capacitor when the external MOSFET is on during the blank-out time is more than what is delivered to the load. An over-voltage comparator inside the LM3478 prevents the output voltage from rising under these conditions. The over-voltage comparator senses the feedback (FB pin) voltage and resets the RS latch under these conditions. The latch remains in reset state till the output decays to the nominal value.

Functional Description (Continued)



10135507

FIGURE 1. Basic Operation of the PWM comparator

SLOPE COMPENSATION RAMP

The LM3478 uses a current mode control scheme. The main advantages of current mode control are inherent cycle-by-cycle current limit for the switch, and simpler control loop characteristics. It is also easy to parallel power stages using current mode control since current sharing is automatic.

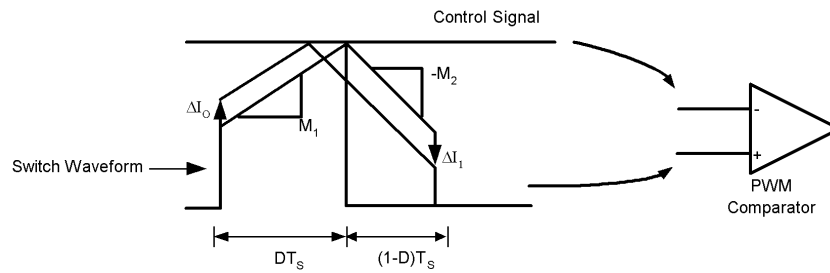
Current mode control has an inherent instability for duty cycles greater than 50%, as shown in *Figure 2*. In *Figure 2*, a small increase in the load current causes the switch current to increase by ΔI_O . The effect of this load change, ΔI_1 , is :

From the above equation, when $D > 0.5$, ΔI_1 will be greater than ΔI_O . In other words, the disturbance is divergent. So a very small perturbation in the load will cause the disturbance to increase.

To prevent the sub-harmonic oscillations, a compensation ramp is added to the control signal, as shown in *Figure 3*. With the compensation ramp,

$$\Delta I_1 = - \left(\frac{M_2 - M_C}{M_1 + M_C} \right) \Delta I_O$$

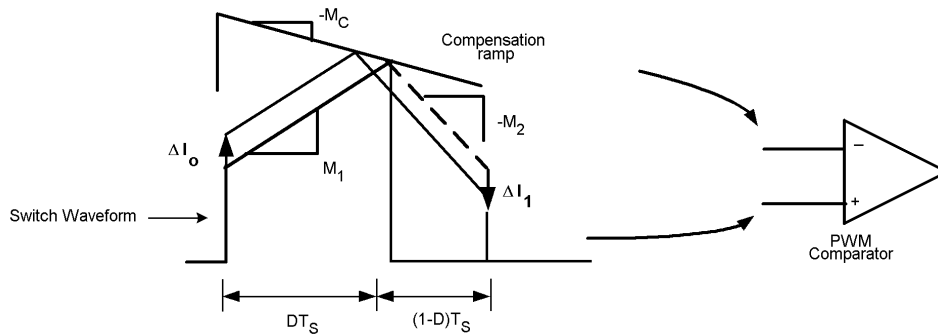
$$\Delta I_1 = - \left(\frac{M_2}{M_1} \right) \Delta I_O = - \left(\frac{D}{1-D} \right) \Delta I_O$$



10135509

FIGURE 2. Sub-Harmonic Oscillation for $D > 0.5$

Functional Description (Continued)



10135511

FIGURE 3. Compensation Ramp Avoids Sub-Harmonic Oscillation

The compensation ramp has been added internally in LM3478. The slope of this compensation ramp has been selected to satisfy most of the applications. The slope of the internal compensation ramp depends on the frequency. This slope can be calculated using the formula:

$$M_C = V_{SL} \cdot F_S \text{ Volts/second}$$

In the above equation, V_{SL} is the amplitude of the internal compensation ramp. Limits for V_{SL} have been specified in the electrical characteristics.

In order to provide the user additional flexibility, a patented scheme has been implemented inside the IC to increase the slope of the compensation ramp externally, if the need arises. Adding a single external resistor, R_{SL} (as shown in Figure 4) increases the slope of the compensation ramp, M_C by :

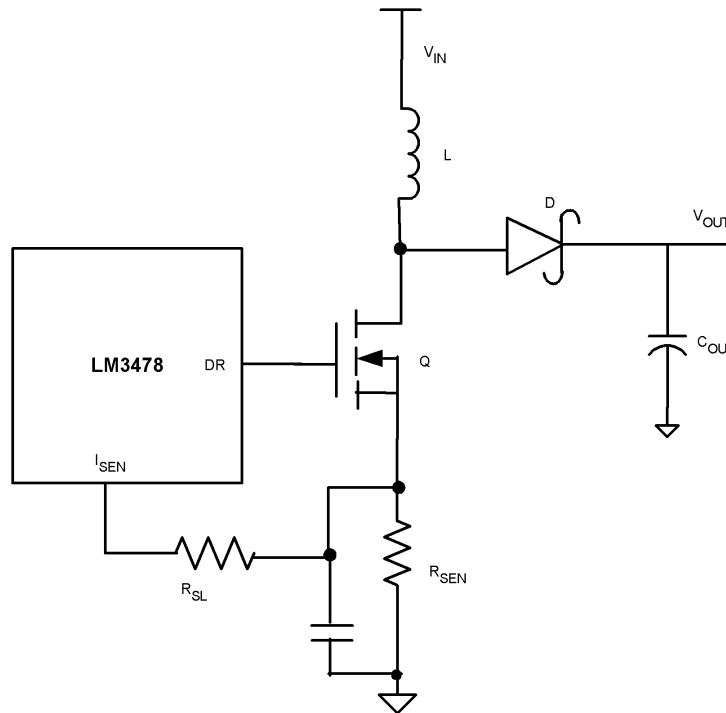
$$\Delta M_C = \frac{40 \times 10^{-6} \cdot R_{SL} \cdot F_S \text{ Amps}}{R_{SEN} \text{ second}}$$

In this equation, ΔV_{SL} is equal to $40 \cdot 10^{-6} R_{SL}$. Hence,

$$\Delta M_C = \frac{\Delta V_{SL} \cdot F_S \text{ Amps}}{R_{SEN} \text{ second}}$$

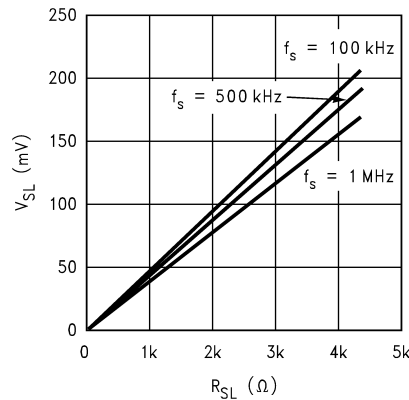
ΔV_{SL} versus R_{SL} has been plotted in Figure 5 for different frequencies.

Functional Description (Continued)



10135513

FIGURE 4. Increasing the Slope of the Compensation Ramp



10135551

FIGURE 5. ΔV_{SL} vs R_{SL}

FREQUENCY ADJUST/SHUTDOWN

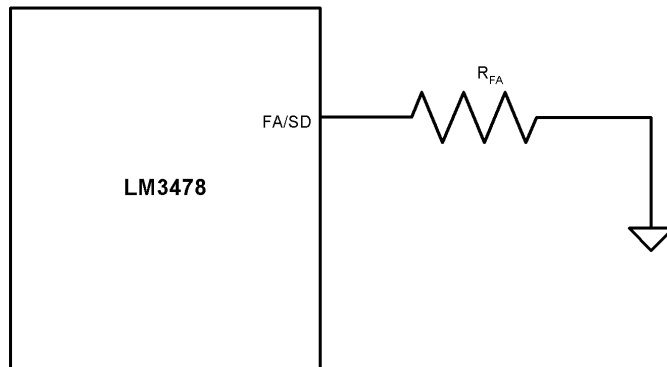
The switching frequency of LM3478 can be adjusted between 100kHz and 1MHz using a single external resistor. This resistor must be connected between FA/SD pin and ground, as shown in Figure 6. Please refer to the typical performance characteristics to determine the value of the resistor required for a desired switching frequency.

The FA/SD pin also functions as a shutdown pin. If a high signal (refer to the electrical characteristics for definition of high signal) appears on the FA/SD pin, the LM3478 stops

switching and goes into a low current mode. The total supply current of the IC reduces to less than 10 μ A under these conditions.

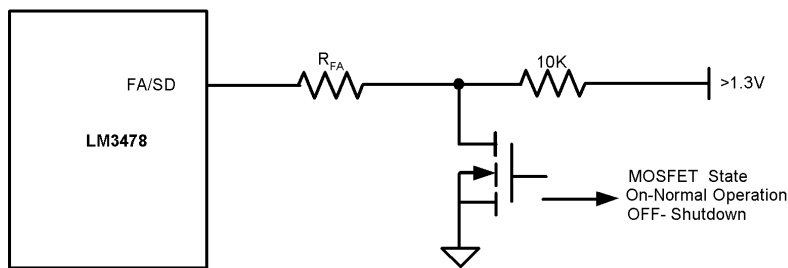
Figure 7 shows implementation of shutdown function when operating in frequency adjust mode. In frequency adjust mode, connecting the FA/SD pin to ground forces the clock to run at a certain frequency. Pulling this pin high shuts down the IC. In frequency adjust mode, a high signal for more than 30 μ s shuts down the IC.

Functional Description (Continued)



10135514

FIGURE 6. Frequency Adjust



10135516

FIGURE 7. Shutdown Operation in Frequency Adjust Mode

SHORT-CIRCUIT PROTECTION

When the voltage across the sense resistor (measured on I_{SEN} Pin) exceeds 350mV, short-circuit current limit gets activated. A comparator inside LM3478 reduces the switching frequency by a factor of 5 and maintains this condition till the short is removed.

Typical Applications

The LM3478 may be operated in either continuous or discontinuous conduction mode. The following applications are designed for continuous conduction operation. This mode of operation has higher efficiency and lower EMI characteristics than the discontinuous mode.

BOOST CONVERTER

The most common topology for LM3478 is the boost or step-up topology. The boost converter converts a low input voltage into a higher output voltage. The basic configuration for a boost regulator is shown in *Figure 8*. In continuous conduction mode (when the inductor current never reaches zero at steady state), the boost regulator operates in two cycles. In the first cycle of operation, MOSFET Q is turned on and energy is stored in the inductor. During this cycle,

diode D is reverse biased and load current is supplied by the output capacitor, C_{OUT} .

In the second cycle, MOSFET Q is off and the diode is forward biased. The energy stored in the inductor is transferred to the load and output capacitor. The ratio of these two cycles determines the output voltage. The output voltage is defined as:

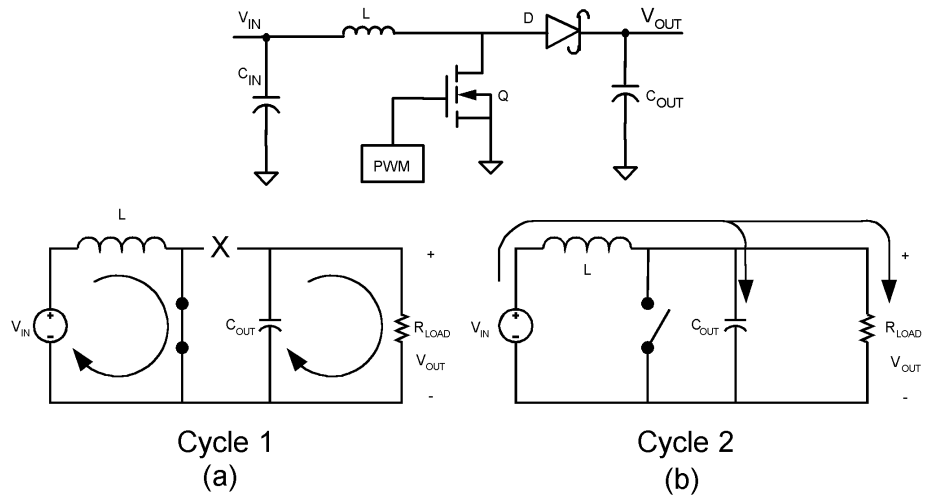
$$V_{OUT} = \frac{V_{IN}}{1-D}$$

(ignoring the drop across the MOSFET and the diode), or

$$V_{OUT} + V_D = \frac{V_{IN} - V_Q}{1-D}$$

where D is the duty cycle of the switch, V_D is the forward voltage drop of the diode, and V_Q is the drop across the MOSFET when it is on. The following sections describe selection of components for a boost converter

Typical Applications (Continued)



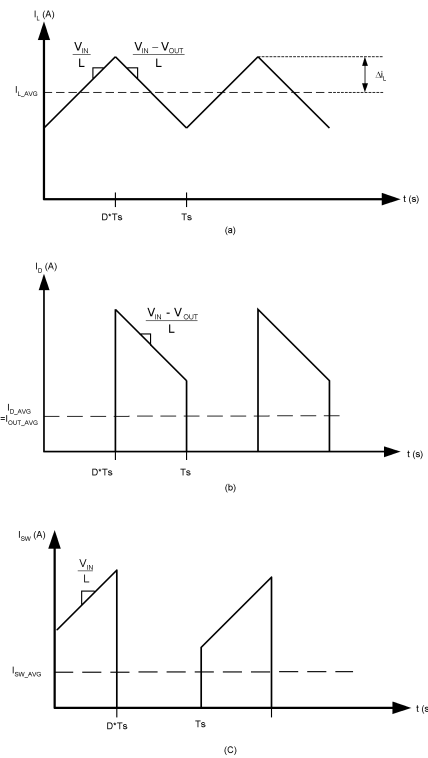
10135522

FIGURE 8. Simplified Boost Converter Diagram (a) First cycle of operation. (b) Second cycle of operation

POWER INDUCTOR SELECTION

The inductor is one of the two energy storage elements in a boost converter. Figure 9 shows how the inductor current varies during a switching cycle. The current through an inductor is quantified as:

$$V_L(t) = L \frac{di_L(t)}{dt}$$



10135524

FIGURE 9. A. Inductor current B. Diode current

Typical Applications (Continued)

If $V_L(t)$ is constant, $di_L(t)/dt$ must be constant. Hence, for a given input voltage and output voltage, the current in the inductor changes at a constant rate.

The important quantities in determining a proper inductance value are \bar{I}_L (the average inductor current) and Δi_L (the inductor current ripple). If Δi_L is larger than \bar{I}_L , the inductor current will drop to zero for a portion of the cycle and the converter will operate in discontinuous conduction mode. If Δi_L is smaller than \bar{I}_L , the inductor current will stay above zero and the converter will operate in continuous conduction mode. All the analysis in this datasheet assumes operation in continuous conduction mode. To operate in continuous conduction mode, the following conditions must be met:

$$\bar{I}_L > \Delta i_L$$

$$\frac{I_{OUT}}{1-D} > \frac{DV_{IN}}{2f_s L}$$

$$L > \frac{D(1-D)V_{IN}}{2I_{OUT}f_s}$$

Choose the minimum I_{OUT} to determine the minimum L . A common choice is to set Δi_L to 30% of \bar{I}_L . Choosing an appropriate core size for the inductor involves calculating the average and peak currents expected through the inductor. In a boost converter,

$$\bar{I}_L = \frac{I_{OUT}}{1-D}$$

and $I_{L_peak} = \bar{I}_L(\max) + \Delta i_L(\max)$,
where

$$\Delta i_L = \frac{DV_{IN}}{2f_s L}$$

A core size with ratings higher than these values should be chosen. If the core is not properly rated, saturation will dramatically reduce overall efficiency.

The LM3478 can be set to switch at very high frequencies. When the switching frequency is high, the converter can be operated with very small inductor values. With a small inductor value, the peak inductor current can be higher than the output currents, especially under light load conditions.

The LM3478 senses the peak current through the switch. The peak current through the switch is the same as the peak current calculated above.

PROGRAMMING THE OUTPUT VOLTAGE AND OUTPUT CURRENT

The output voltage can be programmed using a resistor divider between the output and the feedback pins, as shown in *Figure 10*. The resistors are selected such that the voltage at the feedback pin is 1.26V. R_{F1} and R_{F2} can be selected using the equation,

$$V_{OUT} = 1.26 \left(1 + \frac{R_{F1}}{R_{F2}} \right)$$

A 100pF capacitor may be connected between the feedback and ground pins to reduce noise.

The maximum amount of current that can be delivered at the output can be controlled by the sense resistor, R_{SEN} . Current limit occurs when the voltage that is generated across the sense resistor equals the current sense threshold voltage, V_{SENSE} . Limits for V_{SENSE} have been specified in the electrical characteristics. This can be expressed as:

$$I_{sw(peak)} * R_{SEN} = V_{SENSE}$$

V_{SENSE} represents the maximum value of the control signal as shown in *Figure 2*. This control signal, however, is not a constant value and changes over the course of a period as a result of the internal compensation ramp (see *Figure 3*). Therefore the current limit will also change as a result of the internal compensation ramp. The actual command signal, V_{CS} , can be better expressed as a function of the sense voltage and the internal compensation ramp:

$$V_{CS} = V_{SENSE} - (D * V_{SL})$$

V_{SL} is defined as the internal compensation ramp voltage, limits are specified in the electrical characteristics.

The peak current through the switch is equal to the peak inductor current.

$$I_{sw(peak)} = I_L + \Delta i_L$$

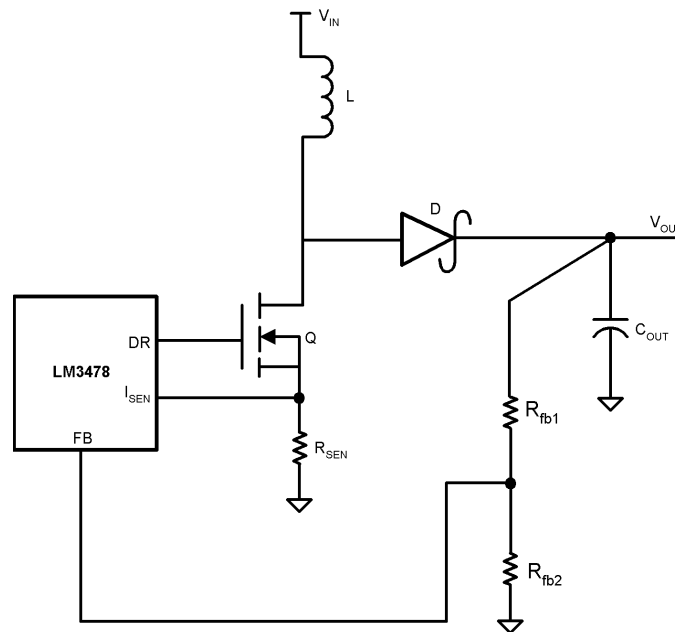
Therefore for a boost converter

$$I_{sw(peak)} = \frac{I_{OUT}}{(1-D)} + \frac{(D * V_{IN})}{(2 * f_s * L)}$$

Combining the three equation yields an expression for R_{SEN}

$$R_{SEN} = \frac{[V_{SENSE} - (D * V_{SL})]}{\left[\frac{I_{OUT}}{(1-D)} + \frac{(D * V_{IN})}{(2 * f_s * L)} \right]}$$

Typical Applications (Continued)



10135520

FIGURE 10. Adjusting the Output Voltage

CURRENT LIMIT WITH ADDITIONAL SLOPE COMPENSATION

If an external slope compensation resistor is used (see Figure 4) the internal control signal will be modified and this will have an effect on the current limit. The control signal is given by:

$$V_{CS} = V_{SENSE} - (D * V_{SL})$$

Where V_{SENSE} and V_{SL} are defined parameters in the electrical characteristics section. If R_{SL} is used, then this will add to the existing slope compensation. The command voltage will then be given by:

$$V_{CS} = V_{SENSE} - (D * (V_{SL} + \Delta V_{SL}))$$

Where ΔV_{SL} is the additional slope compensation generated and can be calculated by use of Figure 5 or is equal to $40 * 10^{-6} * R_{SL}$. This changes the equation for R_{SEN} to:

$$R_{SEN} = \frac{[V_{SENSE} - (D * V_{SL} + \Delta V_{SL})]}{\left[\frac{I_{OUT}}{(1-D)} + \frac{(D * V_{IN})}{(2 * f_s * L)} \right]}$$

Therefore R_{SL} can be used to provide an additional method for setting the current limit.

POWER DIODE SELECTION

Observation of the boost converter circuit shows that the average current through the diode is the average load current, and the peak current through the diode is the peak current through the inductor. The diode should be rated to handle more than its peak current. The peak diode current can be calculated using the formula:

$$I_{D(Peak)} = I_{OUT} / (1-D) + \Delta I_L$$

In the above equation, I_{OUT} is the output current and ΔI_L has been defined in Figure 9.

The peak reverse voltage for boost converter is equal to the regulator output voltage. The diode must be capable of handling this voltage. To improve efficiency, a low forward drop schottky diode is recommended.

POWER MOSFET SELECTION

The drive pin of LM3478 must be connected to the gate of an external MOSFET. In a boost topology, the drain of the external N-Channel MOSFET is connected to the inductor and the source is connected to the ground. The drive pin (DR) voltage depends on the input voltage (see typical performance characteristics). In most applications, a logic level MOSFET can be used. For very low input voltages, a sub-logic level MOSFET should be used.

The selected MOSFET directly controls the efficiency. The critical parameters for selection of a MOSFET are:

1. Minimum threshold voltage, $V_{TH(MIN)}$
2. On-resistance, $R_{DS(ON)}$
3. Total gate charge, Q_g
4. Reverse transfer capacitance, C_{RSS}
5. Maximum drain to source voltage, $V_{DS(MAX)}$

The off-state voltage of the MOSFET is approximately equal to the output voltage. $V_{DS(MAX)}$ of the MOSFET must be greater than the output voltage. The power losses in the MOSFET can be categorized into conduction losses and ac switching or transition losses. $R_{DS(ON)}$ is needed to estimate the conduction losses. The conduction loss, P_{COND} , is the I^2R loss across the MOSFET. The maximum conduction loss is given by:

Typical Applications (Continued)

$$P_{\text{COND(MAX)}} = \left[\left(\frac{I_{\text{OUT}}}{1-D_{\text{MAX}}} \right)^2 + \left(\frac{\Delta I}{3} \right)^2 \right] D_{\text{MAX}} R_{\text{DS(ON)}}$$

where D_{MAX} is the maximum duty cycle.

$$D_{\text{MAX}} = \left(1 - \frac{V_{\text{IN(MIN)}}}{V_{\text{OUT}}} \right)$$

The turn-on and turn-off transitions of a MOSFET require times of tens of nano-seconds. C_{RSS} and Q_g are needed to estimate the large instantaneous power loss that occurs during these transitions.

The amount of gate current required to turn the MOSFET on can be calculated using the formula:

$$I_G = Q_g \cdot F_S$$

The required gate drive power to turn the MOSFET on is equal to the switching frequency times the energy required to deliver the charge to bring the gate charge voltage to V_{DR} (see electrical characteristics and typical performance characteristics for the drive voltage specification).

$$P_{\text{Drive}} = F_S \cdot Q_g \cdot V_{\text{DR}}$$

INPUT CAPACITOR SELECTION

Due to the presence of an inductor at the input of a boost converter, the input current waveform is continuous and triangular, as shown in *Figure 9*. The inductor ensures that the input capacitor sees fairly low ripple currents. However, as the input capacitor gets smaller, the input ripple goes up. The rms current in the input capacitor is given by:

$$I_{\text{CIN(RMS)}} = \Delta I_L / \sqrt{3} = \frac{1}{2\sqrt{3}} \left(\frac{V_{\text{OUT}} - V_{\text{IN}}}{V_{\text{OUT}} L f_S} \right)$$

The input capacitor should be capable of handling the rms current. Although the input capacitor is not as critical in a boost application, low values can cause impedance interactions. Therefore a good quality capacitor should be chosen in the range of 100 μF to 200 μF . If a value lower than 100 μF is used than problems with impedance interactions or switching noise can affect the LM3478. To improve performance, especially with V_{IN} below 8 volts, it is recommended to use a 20 Ω resistor at the input to provide a RC filter. The resistor is placed in series with the V_{IN} pin with only a bypass capacitor attached to the V_{IN} pin directly (see *Figure 11*). A 0.1 μF or 1 μF ceramic capacitor is necessary in this configuration. The bulk input capacitor and inductor will connect on the other side of the resistor with the input power supply.

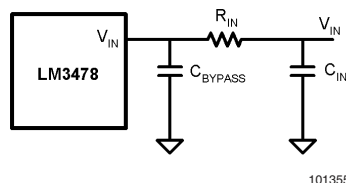


FIGURE 11. Reducing IC Input Noise

OUTPUT CAPACITOR SELECTION

The output capacitor in a boost converter provides all the output current when the inductor is charging. As a result it sees very large ripple currents. The output capacitor should be capable of handling the maximum rms current. The rms current in the output capacitor is:

$$I_{\text{COUT(RMS)}} = \sqrt{(1-D) \left[I_{\text{OUT}}^2 \frac{D}{(1-D)^2} + \frac{\Delta I_L^2}{3} \right]}$$

Where

$$\Delta I_L = \frac{DV_{\text{IN}}}{2Lf_S}$$

and D , the duty cycle is equal to $(V_{\text{OUT}} - V_{\text{IN}})/V_{\text{OUT}}$.

The ESR and ESL of the output capacitor directly control the output ripple. Use capacitors with low ESR and ESL at the output for high efficiency and low ripple voltage. Surface Mount tantalums, surface mount polymer electrolytic and polymer tantalum, Sanyo- OSCON, or multi-layer ceramic capacitors are recommended at the output.

Designing SEPIC Using LM3478

Since the LM3478 controls a low-side N-Channel MOSFET, it can also be used in SEPIC (Single Ended Primary Inductance Converter) applications. An example of SEPIC using LM3478 is shown in *Figure 12*. As shown in *Figure 12*, the output voltage can be higher or lower than the input voltage. The SEPIC uses two inductors to step-up or step-down the input voltage. The inductors L1 and L2 can be two discrete inductors or two windings of a coupled transformer since equal voltages are applied across the inductor throughout the switching cycle. Using two discrete inductors allows use of catalog magnetics, as opposed to a custom transformer. The input ripple can be reduced along with size by using the coupled windings of transformer for L1 and L2.

Due to the presence of the inductor L1 at the input, the SEPIC inherits all the benefits of a boost converter. One main advantage of SEPIC over boost converter is the inherent input to output isolation. The capacitor CS isolates the input from the output and provides protection against shorted or malfunctioning load. Hence, the A SEPIC is useful for replacing boost circuits when true shutdown is required. This means that the output voltage falls to 0V when the switch is turned off. In a boost converter, the output can only fall to the input voltage minus a diode drop.

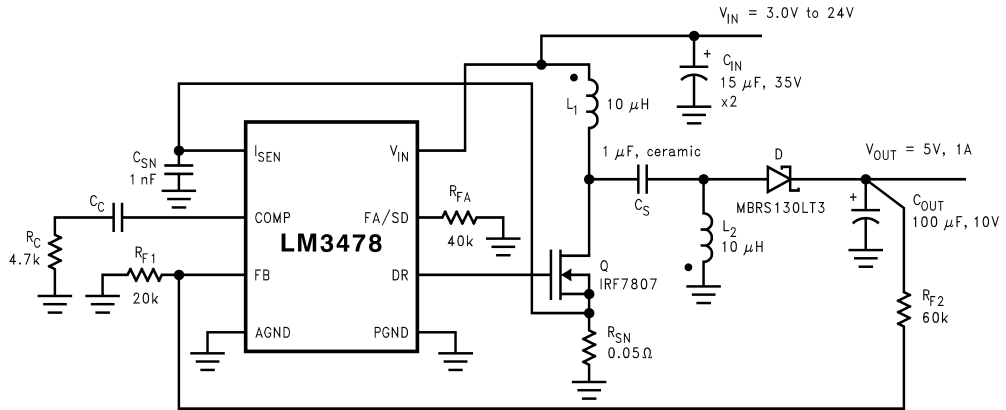
Designing SEPIC Using LM3478

(Continued)

The duty cycle of a SEPIC is given by:

$$D = \frac{V_{OUT} + V_{DIODE}}{V_{OUT} + V_{IN} - V_Q + V_{DIODE}}$$

In the above equation, V_Q is the on-state voltage of the MOSFET, Q , and V_{DIODE} is the forward voltage drop of the diode.



10135544

FIGURE 12. Typical SEPIC Converter

POWER MOSFET SELECTION

As in boost converter, the parameters governing the selection of the MOSFET are the minimum threshold voltage, $V_{TH(MIN)}$, the on-resistance, $R_{DS(ON)}$, the total gate charge, Q_g , the reverse transfer capacitance, C_{RSS} , and the maximum drain to source voltage, $V_{DS(MAX)}$. The peak switch voltage in a SEPIC is given by:

$$V_{SW(PEAK)} = V_{IN} + V_{OUT} + V_{DIODE}$$

The selected MOSFET should satisfy the condition:

$$V_{DS(MAX)} > V_{SW(PEAK)}$$

The peak switch current is given by:

$$I_{SW(PEAK)} = I_{L1(AVG)} + I_{OUT} + \frac{\Delta I_{L1} + \Delta I_{L2}}{2}$$

The rms current through the switch is given by:

$$I_{SWRMS} = \sqrt{\left[I_{SWPEAK}^2 - I_{SWPEAK} (\Delta I_{L1} + \Delta I_{L2}) + \frac{(\Delta I_{L1} + \Delta I_{L2})^2}{3} \right] D}$$

POWER DIODE SELECTION

The Power diode must be selected to handle the peak current and the peak reverse voltage. In a SEPIC, the diode peak current is the same as the switch peak current. The off-state voltage or peak reverse voltage of the diode is $V_{IN} + V_{OUT}$. Similar to the boost converter, the average diode current is equal to the output current. Schottky diodes are recommended.

SELECTION OF INDUCTORS L1 AND L2

Proper selection of the inductors L1 and L2 to maintain constant current mode requires calculations of the following parameters.

Average current in the inductors:

$$I_{L1(AVE)} = \frac{D I_{OUT}}{1-D}$$

$$I_{L2(AVE)} = I_{OUT}$$

Peak to peak ripple current, to calculate core loss if necessary:

$$\Delta I_{L1} = \frac{(V_{IN} - V_Q) D}{(L1)f_s}$$

$$\Delta I_{L2} = \frac{(V_{IN} - V_Q) D}{(L2)f_s}$$

Maintaining the condition $I_L > \Delta I_L$ to ensure constant current mode yields:

$$L1 > \frac{(V_{IN} - V_Q)(1-D)}{2I_{OUT}f_s}$$

Designing SEPIC Using LM3478

(Continued)

$$L2 > \frac{(V_{IN} - V_Q)D}{2I_{OUT}f_s}$$

Peak current in the inductor, to ensure the inductor does not saturate:

$$I_{L1PK} = \frac{DI_{OUT}}{1-D} + \frac{\Delta I_{L1}}{2}$$

$$I_{L2PK} = I_{OUT} + \frac{\Delta I_{L2}}{2}$$

I_{L1PK} must be lower than the maximum current rating set by the current sense resistor.

The value of L1 can be increased above the minimum recommended to reduce input ripple and output ripple. However, once D_{IL1} is less than 20% of I_{L1AVE} , the benefit to output ripple is minimal.

By increasing the value of L2 above the minimum recommended, ΔI_{L2} can be reduced, which in turn will reduce the output ripple voltage:

$$\Delta V_{OUT} = \left(\frac{I_{OUT}}{1-D} + \frac{\Delta I_{L2}}{2} \right) ESR$$

where ESR is the effective series resistance of the output capacitor.

If L1 and L2 are wound on the same core, then $L1 = L2 = L$. All the equations above will hold true if the inductance is replaced by 2L. A good choice for transformer with equal turns is Coiltronics CTX series Octopack.

SENSE RESISTOR SELECTION

The peak current through the switch, $I_{SW(PEAK)}$, can be adjusted using the current sense resistor, R_{SEN} , to provide a certain output current. Resistor R_{SEN} can be selected using the formula:

$$R_{SEN} = \frac{V_{SENSE} - D(V_{SL} + \Delta V_{SL})}{I_{SWPEAK}}$$

Sepic Capacitor Selection

The selection of SEPIC capacitor, CS, depends on the rms current. The rms current of the SEPIC capacitor is given by:

$$I_{CSRMS} = \sqrt{I_{SWRMS}^2 + (I_{L1PK}^2 - I_{L1PK}\Delta I_{L1} + \Delta I_{L1}^2)(1-D)}$$

The SEPIC capacitor must be rated for a large ACrms current relative to the output power. This property makes the SEPIC much better suited to lower power applications where the rms current through the capacitor is relatively small (relative to capacitor technology). The voltage rating of the SEPIC capacitor must be greater than the maximum input voltage. Tantalum capacitors are the best choice for SMT,

having high rms current ratings relative to size. Ceramic capacitors could be used, but the low C values will tend to cause larger changes in voltage across the capacitor due to the large currents. High C value ceramics are expensive. Electrolytics work well for through hole applications where the size required to meet the rms current rating can be accommodated. There is an energy balance between CS and L1, which can be used to determine the value of the capacitor. The basic energy balance equation is:

$$\frac{1}{2} C_S \Delta V_S^2 = \frac{1}{2} L_1 \Delta I_{L1}^2$$

Where

$$\Delta V_S = \left(\frac{V_{OUT}}{V_{OUT} + V_{IN} - V_Q + V_{DIODE}} \right) \frac{I_{OUT}}{f_s C_S}$$

is the ripple voltage across the SEPIC capacitor, and

$$\Delta I_{L1} = \frac{(V_{IN} - V_Q) D}{L_1 f_s}$$

is the ripple current through the inductor L1. The energy balance equation can be solved to provide a minimum value for C_S :

$$C_S \geq L_1 \frac{I_{OUT}^2}{(V_{IN} - V_Q)^2}$$

Input Capacitor Selection

Similar to a boost converter, the SEPIC has an inductor at the input. Hence, the input current waveform is continuous and triangular. The inductor ensures that the input capacitor sees fairly low ripple currents. However, as the input capacitor gets smaller, the input ripple goes up. The rms current in the input capacitor is given by:

$$I_{CIN(RMS)} = \Delta I_{L1} / \sqrt{12} = \frac{D}{2\sqrt{3}} \left(\frac{V_{IN} - V_Q}{L_1 f_s} \right)$$

The input capacitor should be capable of handling the rms current. Although the input capacitor is not as critical in a boost application, low values can cause impedance interactions. Therefore a good quality capacitor should be chosen in the range of 100 μ F to 200 μ F. If a value lower than 100 μ F is used than problems with impedance interactions or switching noise can affect the LM3478. To improve performance, especially with V_{IN} below 8 volts, it is recommended to use a 20 Ω resistor at the input to provide a RC filter. The resistor is placed in series with the V_{IN} pin with only a bypass capacitor attached to the V_{IN} pin directly (see Figure 11). A 0.1 μ F or 1 μ F ceramic capacitor is necessary in this configuration. The bulk input capacitor and inductor will connect on the other side of the resistor with the input power supply.

Output Capacitor Selection

The ESR and ESL of the output capacitor directly control the output ripple. Use low capacitors with low ESR and ESL at

Output Capacitor Selection

(Continued)

the output for high efficiency and low ripple voltage. Surface mount tantalums, surface mount polymer electrolytic and polymer tantalum, Sanyo- OSCON, or multi-layer ceramic capacitors are recommended at the output.

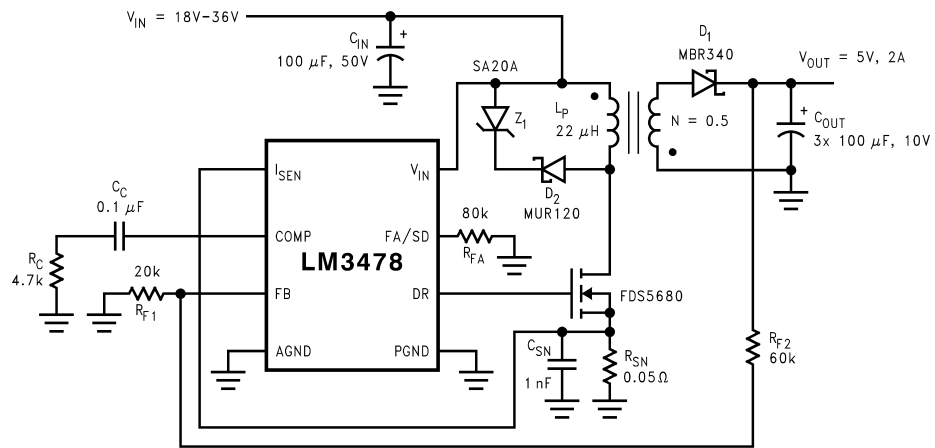
The output capacitor of the SEPIC sees very large ripple currents (similar to the output capacitor of a boost converter). The rms current through the output capacitor is given by:

$$I_{RMS} = \sqrt{\left[I_{SWPK}^2 - I_{SWPK} (\Delta I_{L1} + \Delta I_{L2}) + \frac{(\Delta I_{L1} + \Delta I_{L2})^2}{3} \right] (1-D) - I_{OUT}^2}$$

The ESR and ESL of the output capacitor directly control the output ripple. Use low capacitors with low ESR and ESL at the output for high efficiency and low ripple voltage. Surface

mount tantalums, surface mount polymer electrolytic and polymer tantalum, Sanyo- OSCON, or multi-layer ceramic capacitors are recommended at the output for low ripple.

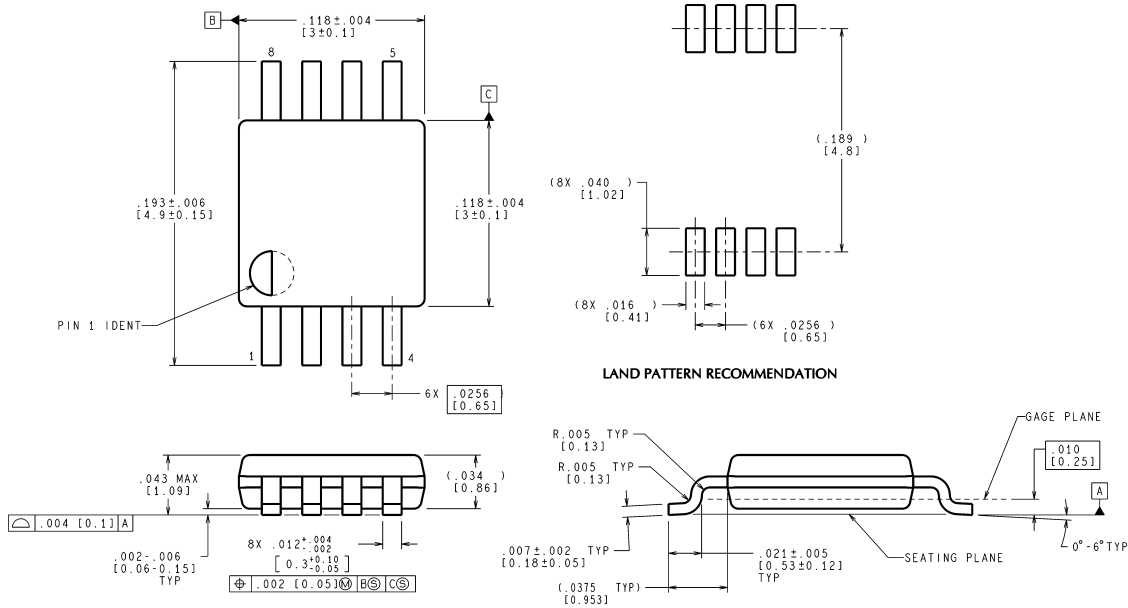
Other Application Circuit



10135543

FIGURE 13. Typical Flyback Circuit

Physical Dimensions inches (millimeters)
unless otherwise noted



MUA08A (Rev E)

LIFE SUPPORT POLICY

NATIONAL'S PRODUCTS ARE NOT AUTHORIZED FOR USE AS CRITICAL COMPONENTS IN LIFE SUPPORT DEVICES OR SYSTEMS WITHOUT THE EXPRESS WRITTEN APPROVAL OF THE PRESIDENT AND GENERAL COUNSEL OF NATIONAL SEMICONDUCTOR CORPORATION. As used herein:

1. Life support devices or systems are devices or systems which, (a) are intended for surgical implant into the body, or (b) support or sustain life, and whose failure to perform when properly used in accordance with instructions for use provided in the labeling, can be reasonably expected to result in a significant injury to the user.
2. A critical component is any component of a life support device or system whose failure to perform can be reasonably expected to cause the failure of the life support device or system, or to affect its safety or effectiveness.

National Semiconductor
Americas Customer
Support Center
Email: new.feedback@nsc.com
Tel: 1-800-272-9959

www.national.com

National Semiconductor
Europe Customer Support Center
Fax: +49 (0) 180-530 85 86
Email: europe.support@nsc.com
Deutsch Tel: +49 (0) 69 9508 6208
English Tel: +44 (0) 870 24 0 2171
Français Tel: +33 (0) 1 41 91 8790

National Semiconductor
Asia Pacific Customer
Support Center
Email: ap.support@nsc.com

National Semiconductor
Japan Customer Support Center
Fax: 81-3-5639-7507
Email: jpn.feedback@nsc.com
Tel: 81-3-5639-7560