

## LM342 Series 3-Terminal Positive Regulators

### General Description

The LM342-XX series of three-terminal regulators is available with several fixed output voltages, making them useful in a wide range of applications. One of these is local on card regulation, eliminating the distribution problems associated with single point regulation. The voltages available allow these regulators to be used in logic systems, instrumentation, HiFi, and other solid state electronic equipment. Although designed primarily as fixed voltage regulators these devices can be used with external components to obtain adjustable voltages and currents.

The LM342-XX series is available in the plastic TO-202 package. This package allows these regulators to deliver over 0.25A if adequate heat sinking is provided. Current limiting is included to limit the peak output current to a safe value. Safe area protection for the output transistor is provided to limit internal power dissipation. If internal power dissipation becomes too high for the heat sinking provided, the thermal shutdown circuit takes over, preventing the IC from overheating.

Considerable effort was expended to make the LM342-XX series of regulators easy to use and minimize the number of external components. It is not necessary to bypass the

output, although this does improve transient response. Input bypassing is needed only if the regulator is located far from the filter capacitor of the power supply.

For output voltage other than 5V, 12V and 15V the LM117 series provides an output voltage range from 1.2V to 57V.

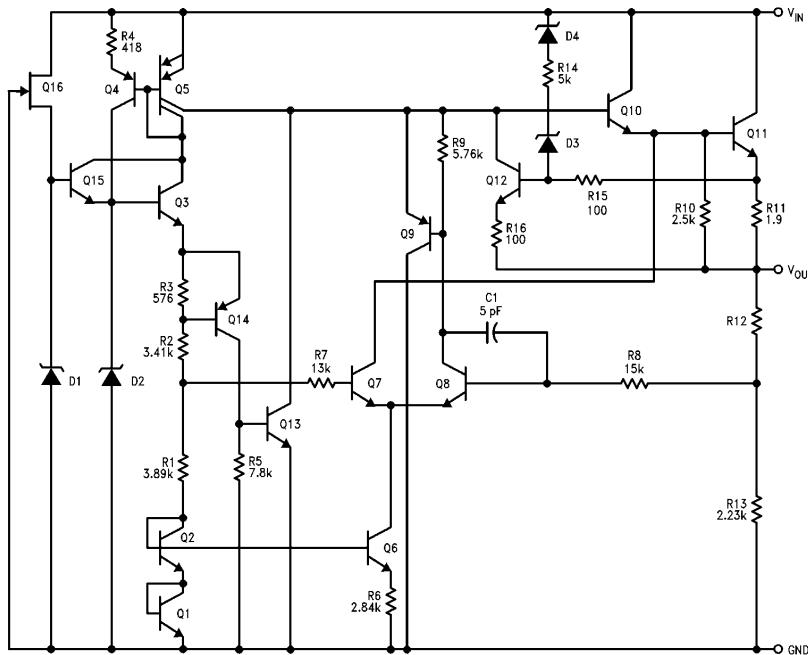
### Features

- Output current in excess of 0.25A
- Internal thermal overload protection
- No external components required
- Output transistor safe area protection
- Internal short circuit current limit
- Available in plastic TO-202 package
- Special circuitry allows start-up even if output is pulled to negative voltage ( $\pm$  supplies)

### Voltage Range

LM342-5.0	5V
LM342-12	12V
LM342-15	15V

### Schematic Diagram



TL/H/10485-1

### Absolute Maximum Ratings (Note 1)

If Military/Aerospace specified devices are required, please contact the National Semiconductor Sales Office/Distributors for availability and specifications.

Input Voltage	
$V_O = 5V$	30V
$V_O = 12V$ and $15V$	35V
Internal Power Dissipation	Internally Limited
Operating Temperature Range	0°C to +70°C

Maximum Junction Temperature	125°C
Storage Temperature Range	-65°C to +150°C
Lead Temperature (Soldering, 10 sec.)	300°C
ESD Susceptibility	TBD

### Electrical Characteristics $T_A = 0^\circ\text{C}$ to $+70^\circ\text{C}$ , $I_O = 250\text{ mA}$ (Note 2) unless noted

Output Voltage			5V			12V			15V			Units
Input Voltage (unless otherwise noted)			10V			19V			23V			
Symbol	Parameter	Conditions	Min	Typ	Max	Min	Typ	Min	Min	Typ	Max	
$V_O$	Output Voltage (Note 3)	$T_J = 25^\circ\text{C}$	4.8	5	5.2	11.5	12	12.5	14.4	15	15.6	V
		$1\text{ mA} \leq I_O \leq 250\text{ mA}$ and $V_{\text{MIN}} \leq V_{\text{IN}} \leq V_{\text{MAX}}$	4.75		5.25	11.4		12.6	14.25		15.75	V
$\Delta V_O$	Line Regulation	$T_J = 25^\circ\text{C}$ , $I_O = 250\text{ mA}$			55			100			100	mV
					( $7.3 \leq V_{\text{IN}} \leq 25$ )			( $14.6 \leq V_{\text{IN}} \leq 30$ )			( $17.7 \leq V_{\text{IN}} \leq 30$ )	
$\Delta V_O$	Load Regulation	$T_J = 25^\circ\text{C}$ , $1\text{ mA} \leq I_O \leq 250\text{ mA}$			50			120			150	mV
$\Delta V_O$	Long Term Stability				20			48			60	mV/khrs
$I_Q$	Quiescent Current	$T_J = 25^\circ\text{C}$			6			6			6	mA
$\Delta I_Q$	Quiescent Current Change	$T_J = 25^\circ\text{C}$ , $1\text{ mA} \leq I_O \leq 250\text{ mA}$			0.5			0.5			0.5	mA
		$T_J = 25^\circ\text{C}$ , $V_{\text{MIN}} \leq V_{\text{IN}} \leq V_{\text{MAX}}$			1.5			1.5			1.5	mA
					( $7.3 \leq V_{\text{IN}} \leq 25$ )			( $14.6 \leq V_{\text{IN}} \leq 30$ )			( $17.7 \leq V_{\text{IN}} \leq 30$ )	
$V_n$	Output Noise Voltage	$T_J = 25^\circ\text{C}$ , $f = 10\text{ Hz} - 10\text{ kHz}$			40			96			120	$\mu\text{V}$
$\frac{\Delta V_{\text{IN}}}{\Delta V_{\text{OUT}}}$	Ripple Rejection	$f = 120\text{ Hz}$	50	64		44	56		42	56		dB
	Input Voltage Required to Maintain Line Regulation	$T_J = 25^\circ\text{C}$ , $I_O = 250\text{ mA}$			7.3			14.6			17.7	V
	Thermal Resistance Junction to Case	P Package			15			15			15	$^\circ\text{C}/\text{W}$
	Thermal Resistance Junction to Ambient	P Package			80			80			80	$^\circ\text{C}/\text{W}$

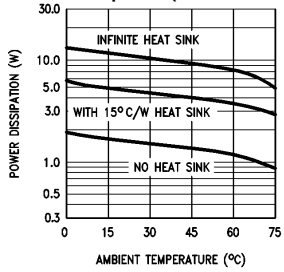
**Note 1:** Absolute Maximum Ratings indicate limits beyond which damage to the device may occur. Operating Ratings indicate conditions for which the device is intended to be functional, but do not guarantee specific performance limits. For guaranteed specifications and test conditions, see the Electrical Characteristics.

**Note 2:** The electrical characteristics data represent pulse test conditions with junction temperatures as shown at the initiation of tests.

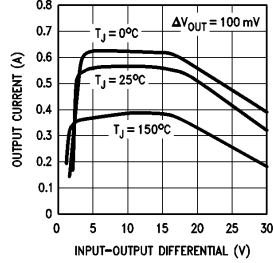
**Note 3:** The temperature coefficient of  $V_{\text{OUT}}$  is typically within 0.01%  $V_O/^\circ\text{C}$ .

## Typical Performance Characteristics

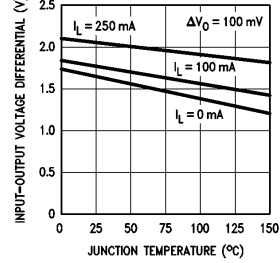
**Maximum Average Power Dissipation (TO-202 Package)**



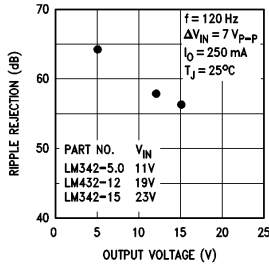
**Peak Output Current**



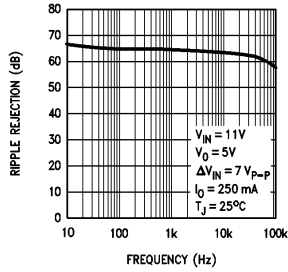
**Dropout Voltage**



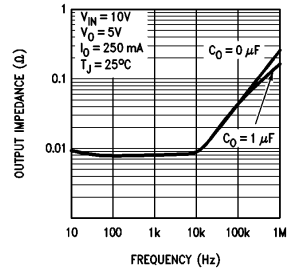
**Ripple Rejection**



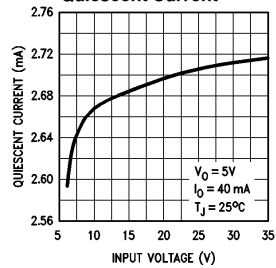
**Ripple Rejection**



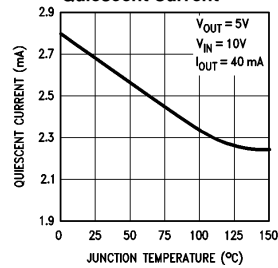
**Output Impedance**



**Quiescent Current**



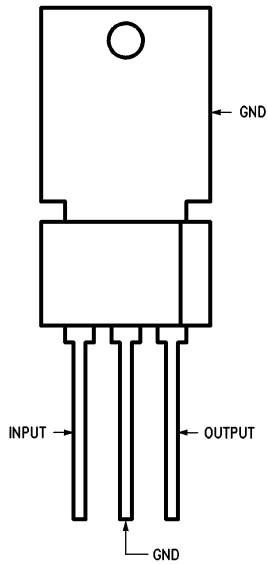
**Quiescent Current**



TL/H/10485-3

## Connection Diagram

TO-202 (P) Plastic Package

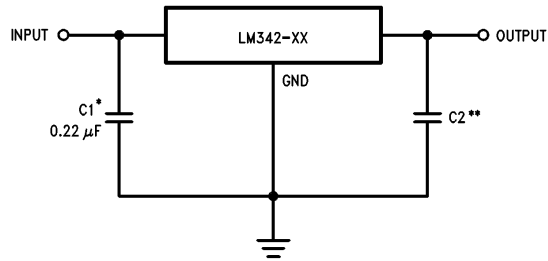


TL/H/10485-2

Order Number LM342P-5.0,  
LM342P-12 or LM342P-15  
See NS Package Number P03A

## Typical Applications

### Fixed Output Regulator

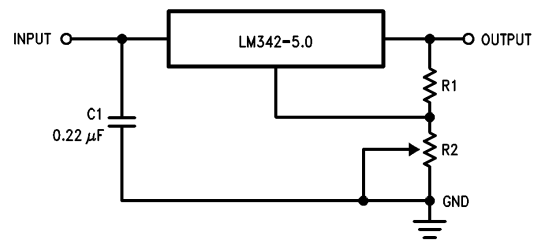


TL/H/10485-4

\*Required if the regulator is located far from power supply filter

\*\*Although not required, C2 does improve transient response. (If needed, use 0.1 μF ceramic disc.)

### Adjustable Output Regulator

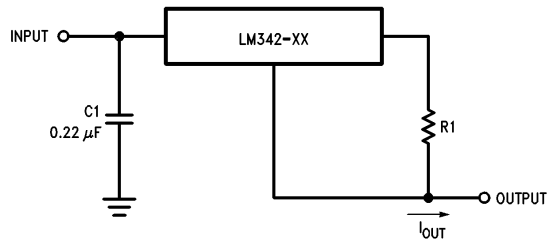


TL/H/10485-5

$$V_O = 5V + (5V/R1 + I_Q) R2$$

$$5V/R1 > 3I_Q, \text{ Load Regulation } (L_P) = [(R1 + R2)/R1] \times (L_r \text{ of LM342-05})$$

### Current Regulator



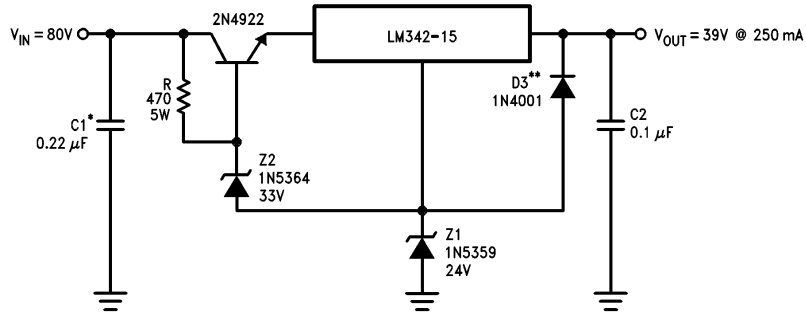
TL/H/10485-6

$$I_{OUT} = V^2 - 3/R1 + I_Q$$

$$\Delta I_Q \leq 1.5 \text{ mA over line and load changes}$$

## Typical Applications (Continued)

### High Output Voltage Regulator

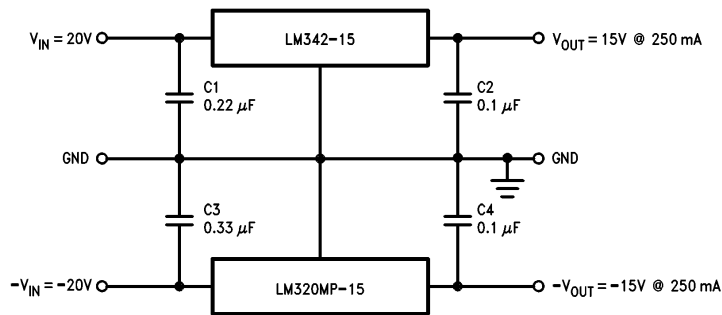


TL/H/10485-7

\*Necessary if regulator is located far from the power supply filter

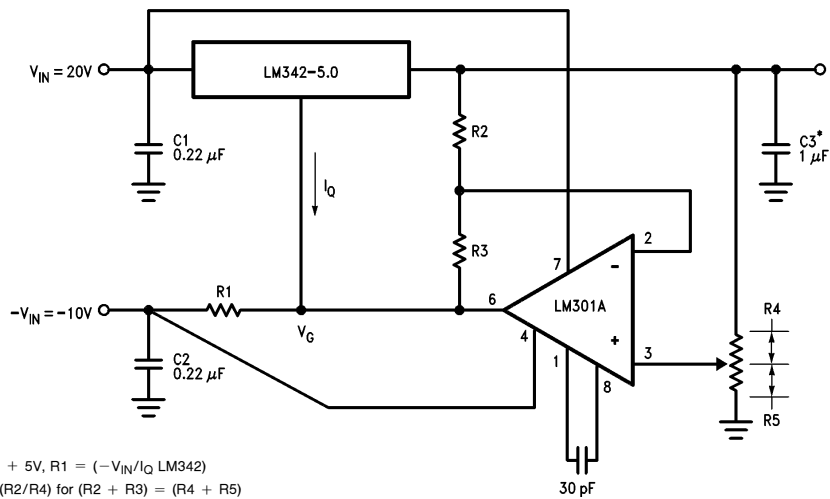
\*\*D3 aids in full load start-up and protects the regulator during short circuits from high input to output voltage differentials

### ± 15V, 250 mA Dual Power Supply



TL/H/10485-8

### Variable Output Regulator 0.5V-18V



$$V_{OUT} = V_G + 5V, R1 = (-V_{IN}/I_Q \text{ LM342})$$

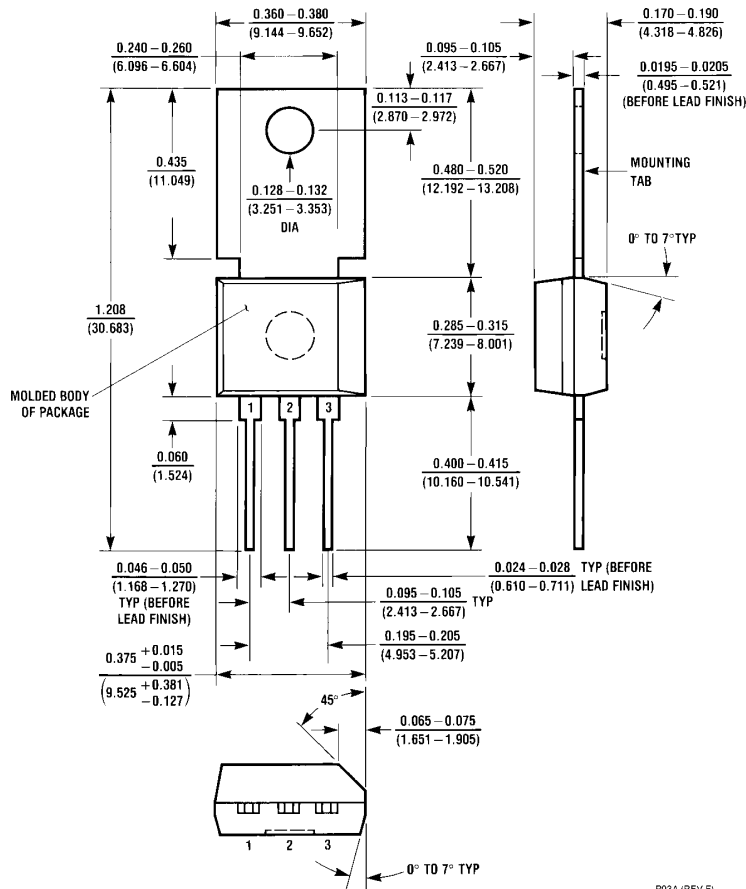
$$V_{OUT} = 5V(R2/R4) \text{ for } (R2 + R3) = (R4 + R5)$$

A 0.5V output will correspond to  $(R2/R4) = 0.1, (R3/R4) = 0.9$

\*Solid tantalum

TL/H/10485-9

**Physical Dimensions** inches (millimeters)



**TO-202 Plastic Package (P)**  
**Order Numbers LM342P-5.0, LM342P-12 or LM342P-15**  
**NS Package Number P03A**

P03A (REV F)

**LIFE SUPPORT POLICY**

NATIONAL'S PRODUCTS ARE NOT AUTHORIZED FOR USE AS CRITICAL COMPONENTS IN LIFE SUPPORT DEVICES OR SYSTEMS WITHOUT THE EXPRESS WRITTEN APPROVAL OF THE PRESIDENT OF NATIONAL SEMICONDUCTOR CORPORATION. As used herein:

1. Life support devices or systems are devices or systems which, (a) are intended for surgical implant into the body, or (b) support or sustain life, and whose failure to perform, when properly used in accordance with instructions for use provided in the labeling, can be reasonably expected to result in a significant injury to the user.
2. A critical component is any component of a life support device or system whose failure to perform can be reasonably expected to cause the failure of the life support device or system, or to affect its safety or effectiveness.



**National Semiconductor Corporation**  
 1111 West Bardin Road  
 Arlington, TX 76017  
 Tel: 1(800) 272-9959  
 Fax: 1(800) 737-7018

**National Semiconductor Europe**  
 Fax: (+49) 0-180-530 85 86  
 Email: cnjwge@tevm2.nsc.com  
 Deutsch Tel: (+49) 0-180-530 85 85  
 English Tel: (+49) 0-180-532 78 32  
 Français Tel: (+49) 0-180-532 93 58  
 Italiano Tel: (+49) 0-180-534 16 80

**National Semiconductor Hong Kong Ltd.**  
 13th Floor, Straight Block,  
 Ocean Centre, 5 Canton Rd.  
 Tsimshatsui, Kowloon  
 Hong Kong  
 Tel: (852) 2737-1600  
 Fax: (852) 2736-9960

**National Semiconductor Japan Ltd.**  
 Tel: 81-043-299-2309  
 Fax: 81-043-299-2408

National does not assume any responsibility for use of any circuitry described, no circuit patent licenses are implied and National reserves the right at any time without notice to change said circuitry and specifications.