



NT6881

USB Keyboard Micro-Controller

Features

- Built-in 6502 8-bit CPU
- 3 MHz CPU operation frequency when oscillator is running at 6 MHz
- 6K bytes of ROM
- 256 bytes of SRAM
- One 8-bit programmable base timer with pre-divider circuit
- 29 programmable bi-directional I/O pins including two external interrupts

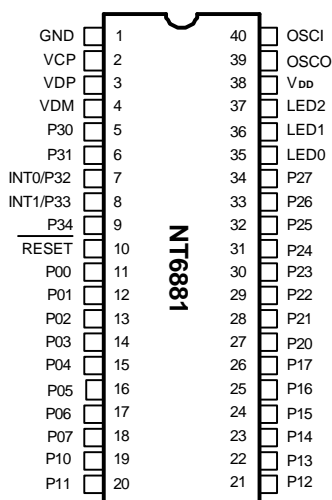
- 3 LED direct sink pins with internal serial resistors
- On-chip oscillator (Crystal or Ceramic Resonator)
- Watch-dog timer reset
- Built-in power on reset
- USB interface
- 3 Endpoints provided
- Remote Wakeup provided
- CMOS technology for low power consumption
- 40-pin DIP package, 42-pad Chip Form and COB

General Description

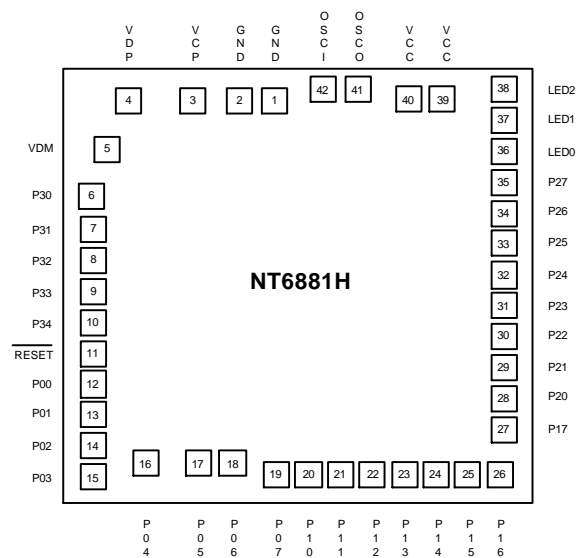
The NT6881 is a single chip micro-controller for USB keyboard applications. It incorporates a 6502 8-bit CPU core, 6K bytes of mask ROM, and 256 bytes of RAM used as working RAM and stack area. It also includes 29 programmable bi-directional I/O pins with built-in resistors, and one 8-bit pre-loadable base timer.

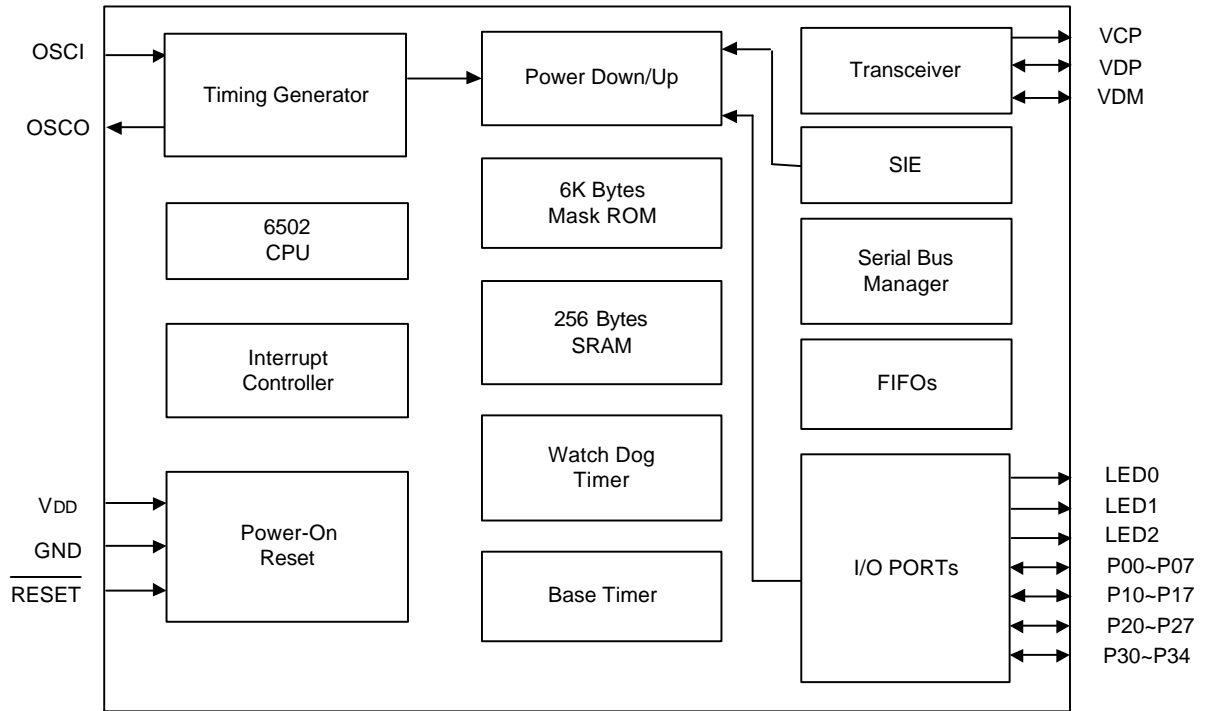
Additionally, it includes a built-in power-on reset, a built-in low voltage reset, an oscillator that requires crystal or ceramic resonator applied, and a watch-dog timer that prevents system standstill.

Pin Configuration



Pad Configuration



Block Diagram


Pin and Pad Descriptions

Pin No.	Pad No.	Designation	I/O	Description
1	1,2	GND	P	Ground
2	3	VCP	O	USB 3.3V driver
3	4	VDP	I/O	USB data plus
4	5	VDM	I/O	USB data minus
5	6	P30	I/O	Bi-directional I/O
				Program output enable
6	7	P31	I/O	Bi-directional I/O
				Program control
7	8	P32/INT0	I/O	Bi-directional I/O shared with INT0
8	9	P33/INT1	I/O	Bi-directional I/O shared with INT1
9	10	P34	I/O	Bi-directional I/O
10	11	$\overline{\text{RESET}}$	I	Internally pulled down resistor
				Program supply voltage
11 ~ 18	12~19	P00 ~ P07	I/O	Bi-directional I/O
				Program address buffer
19 ~ 23	20~24	P10 ~ P14	I/O	Bi-directional I/O
				Program address buffer
24	25	P15	I/O	Bi-directional I/O
				Program chip enable
25 ~ 26	26~27	P16 ~ P17	I/O	Bi-directional I/O
27 ~ 34	28~35	P20 ~ P27	I/O	Bi-directional I/O
				Program data buffer
35	36	LED0	O	LED direct sink
				Mode selection
36	37	LED1	O	LED direct sink
				Mode selection
37	38	LED2	O	LED direct sink
				Mode selection
38	39,40	V _{DD}	P	Power supply (+5V)
39	41	OSCO	O	Crystal oscillator output
40	42	OSCI	I	Crystal oscillator input

Functional Description
1. 6502 CPU

The 6502 is an 8-bit CPU that provides 56 instructions, decimal and binary arithmetic, thirteen addressing modes, true indexing capability, programmable stack pointer and variable length stack, a wide selection of addressable memory range, and interrupt input. Other features are also included.

The CPU clock cycle is 3MHz (6MHz system clock divided by 2). Please refer to 6502 data sheet for more detailed information.

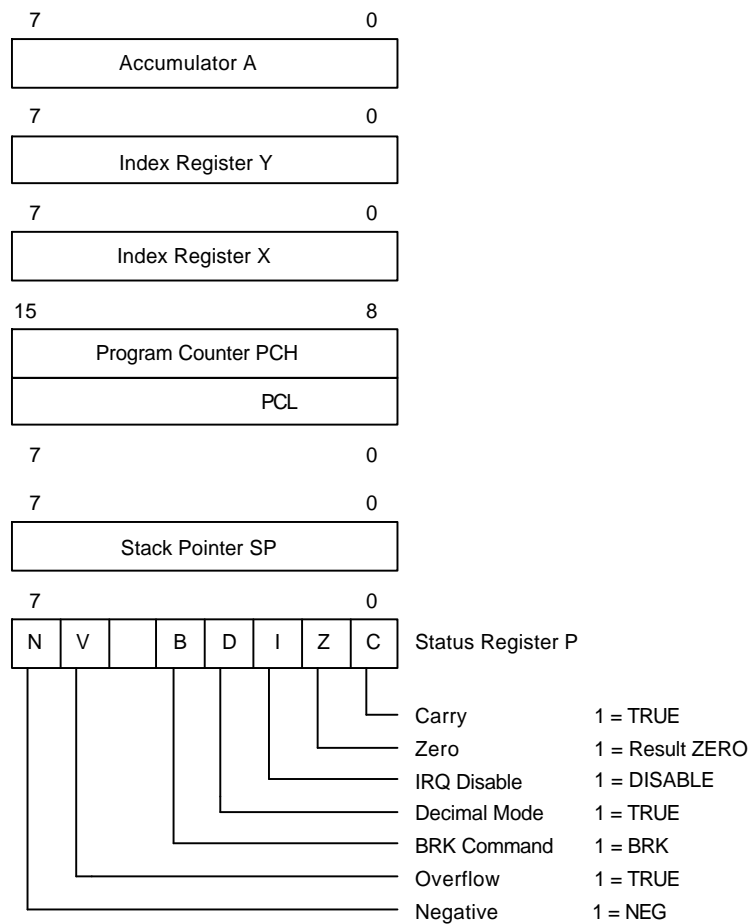


Figure 1.1. 6502 CPU Registers and Status Flags

2.Instruction Set List

Instruction Code	Meaning	Operation
ADC	Add with carry	$A + M + C \rightarrow A, C$
AND	Logical AND	$A \wedge M \rightarrow A$
ASL	Shift left one bit	$C \leftarrow M7, M0 \leftarrow 0$
BCC	Branch if carry clear	Branch on $C = 0$
BCS	Branch if carry set	Branch on $C = 1$
BEQ	Branch if equal to zero	Branch on $Z = 1$
BIT	Bit test	$A \wedge M, M7 \wedge N, M6 \wedge V$
BMI	Branch if minus	Branch on $N = 1$
BNE	Branch if not equal to zero	Branch on $Z = 0$
BPL	Branch if plus	Branch on $N = 0$
BRK	Break	Forced interrupt $PC + 2 \rightarrow PC$
BVC	Branch if overflow clear	Branch on $V = 0$
BVS	Branch if overflow set	Branch on $V = 1$
CLC	Clear carry	$0 \leftarrow C$
CLD	Clear decimal mode	$0 \leftarrow D$
CLI	Clear interrupt disable bit	$0 \leftarrow I$
CLV	Clear overflow	$0 \leftarrow V$
CMP	Compare accumulator to memory	$A - M$
CPX	Compare with index register X	$X - M$
CPY	Compare with index register Y	$Y - M$
DEC	Decrement memory by one	$M - 1 \rightarrow M$
DEX	Decrement index X by one	$X - 1 \rightarrow X$
DEY	Decrement index Y by one	$Y - 1 \rightarrow Y$
EOR	Logical exclusive-OR	$A \oplus M \rightarrow A$
INC	Increment memory by one	$M + 1 \rightarrow M$
INX	Increment index X by one	$X + 1 \rightarrow X$
INY	Increment index Y by one	$Y + 1 \rightarrow Y$
JMP	Jump to new location	$(PC + 1) \rightarrow PCL, (PC + 2) \rightarrow PCH$
JSR	Jump to subroutine	$PC + 2 \rightarrow (PC + 1), PCL, (PC + 2) \rightarrow PCH$

Instruction Set List (continued)

Instruction Code	Meaning	Operation
LDA	Load accumulator with memory	M A
LDX	Load index register X with memory	M X
LDY	Load index register Y with memory	M Y
LSR	Shift right one bit	0 M7 M0 C
NOP	No operation	No operation (2 cycles)
ORA	Logical OR	A + M A
PHA	Push accumulator on stack	A
PHP	Push status register on stack	P
PLA	Pull accumulator from stack	A
PLP	Pull status register from stack	P
ROL	Rotate left through carry	C M7 M0 C
ROR	Rotate right through carry	C M7 M0 C
RTI	Return from interrupt	P , PC
RTS	Return from subroutine	PC , PC+1 PC
SBC	Subtract with borrow	A - M - C A , C
SEC	Set carry	1 C
SED	Set decimal mode	1 D
SEI	Set interrupt disable status	1 I
STA	Store accumulator in memory	A M
STX	Store index register X in memory	X M
STY	Store index register Y in memory	Y M
TAX	Transfer accumulator to index X	A X
TAY	Transfer accumulator to index Y	A Y
TSX	Transfer stack pointer to index X	S X
TXA	Transfer index X to accumulator	X A
TXS	Transfer index X to stack pointer	X S
TYA	Transfer index Y to accumulator	Y A

* For more detailed specifications, please refer to 6502 programming data book.

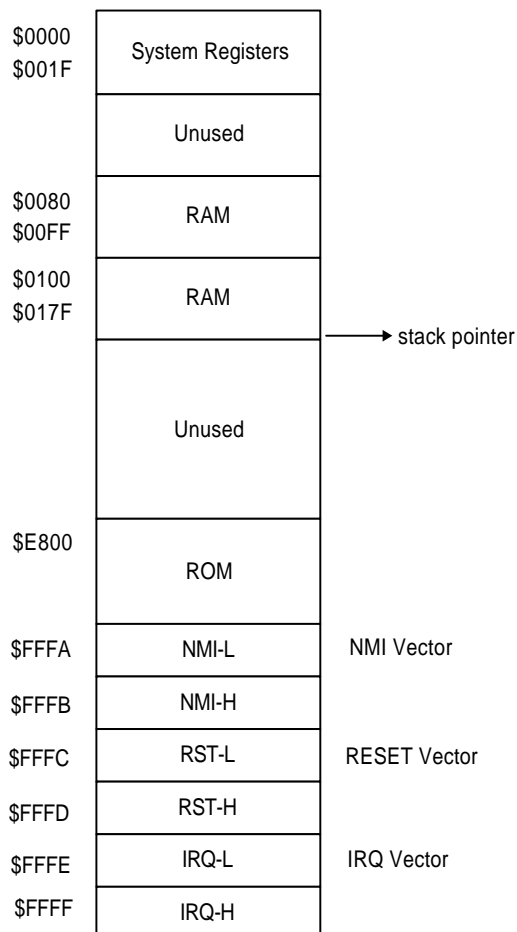
3. Mask ROM: 6K X 8 bits

The built-in mask ROM program code, executed by the 6502 CPU, has a capacity of 6K X 8-bit and is addressed from E800H to FFFFH.

4. SRAM: 256 X 8 bits

The built-in SRAM is used for general purpose data memory and for stack area. SRAM is addressed from 0080H to 017FH. Because the 6502 default stack pointer is 01FFH, the stack area will map \$01FF-\$0180 to \$00FF-\$0080, thus the programmer can set "S" register to 7FH when starting program, allowing stack point is 017FH.

```
as;  LDX    #$7F
      TXS
```



5. System Reserved Registers

Address	Register	Reset	Bit 7	Bit 6	Bit 5	Bit 4	Bit 3	Bit 2	Bit 1	Bit 0	R/W
\$0000	IRQFUNC	00H	-	-	-	-	KBD	INT1	INT0	TMR	R
\$0001	IRQCLRF	00H	-	-	-	-	CKBD	CINT1	CINT0	CTMR	W
\$0002	IE_FUNC	00H	-	-	-	-	EKBD	EINT1	EINT0	ETMR	R/W
\$0003	IRQUSB	00H	SUSP	STUP	-	-	IN2	IN1	OT0	IN0	R
\$0004	IRQCLRU	00H	CSUSP	CSTUP	-	-	CIN2	CIN1	COT0	CIN0	W
\$0005	IE_USB	00H	ESUSP	ESTUP	-	-	EIN2	EIN1	EOT0	EIN0	R/W
\$0006	BT	00H	BT7	BT6	BT5	BT4	BT3	BT2	BT1	BT0	W
\$0007	TCON	01H	-	-	-	-	-	-	-	$\overline{\text{ENBT}}$	W
\$0008	TMOD	00H	-	-	-	-	-	TM2	TM1	TM0	R/W
\$0009	PORT0	FFH	P07	P06	P05	P04	P03	P02	P01	P00	R/W
\$000A	PORT1	FFH	P17	P16	P15	P14	P13	P12	P11	P10	R/W
\$000B	PORT2	FFH	P27	P26	P25	P24	P23	P22	P21	P20	R/W
\$000C	PORT3	1FH	-	-	-	P34	P33	P32	P31	P30	R/W
\$000D	LED	07H	-	-	-	-	-	LED2	LED1	LED0	W
\$000E	CLRWDT	00H	0	1	0	1	0	1	0	1	W
\$000F	MODE_FG	02H	-	-	-	-	-	-	POF	SUSF	R/W

- : no effect

6. Power-on Reset

Built-in power-on reset circuit can generate a minimum of 5ms pulse to reset the entire chip. User also can use an external $\overline{\text{RESET}}$ pin to reset the entire chip.

7. Timing Generator

This block generates the system timing and control signals supplied to CPU and on-chip peripherals. The crystal oscillator generates a 6MHz system clock. It only generates 3MHz clock for CPU.

8. Base Timer (BT)

The Base Timer is an 8-bit counter with a programmable clock source selection. The BT can be enabled/disabled by the CPU. After reset, the BT is disabled and cleared. The BT can be preset by writing preset value to BT7 ~ BT0 of the BT register at any time. When the BT is enabled, the BT starts counting from the preset value. When the value reaches FFH, it generates a timer interrupt if the timer interrupt is enabled. When it reaches the maximum value of FFH, the BT will wrap around and begin counting at 00H. The BT can be enabled by writing a "0" to " $\overline{\text{ENBT}}$ " bit in the TCON (Timer Control) register. The $\overline{\text{ENBT}}$ signal is level trigger.

The input clock source of BT is controlled by the TMOD register. The following table shows 8 ranges of BT.

TM2	TM1	TM0	Pre-scalar Ratio	Min. Count	Max. Count
0	0	0	System Clock/2 ³	1.33 μ s	341.33 μ s
0	0	1	System Clock/2 ⁴	2.66 μ s	682.66 μ s
0	1	0	System Clock/2 ⁵	5.32 μ s	1.36 ms
0	1	1	System Clock/2 ⁶	10.64 μ s	2.72 ms
1	0	0	System Clock/2 ⁷	21.28 μ s	5.44 ms
1	0	1	System Clock/2 ⁸	42.56 μ s	10.89 ms
1	1	0	System Clock/2 ⁹	85.12 μ s	21.79 ms
1	1	1	System Clock/2 ¹⁰	170.24 μ s	43.58 ms

For counting accuracy, please set the TMOD register first, then preset the BT register, and enable base timer finally. **(TM2, TM1, TM0) = (1, 1, 1) is reserved for USB driver use.**

9. Interrupt Controller

There are 10 interrupt sources: Timer, INT0, INT1, KBD, SUSP, IN0, IN1, IN2, OT0 and STUP.

9.1. Timer Interrupt

When the BASE TIMER overflows, it will set the TMR flag. If the interrupt is enabled by writing "1" to the bit 0 in IE_FUNC (\$0002H), then it will interrupt 6502 CPU. The TMR flag can be read by software. Once set by an interrupt source, it can read from bit0 in IRQFUNC (\$0000H) and remains high unless cleared by writing "1" to the bit 0 in IRQCLRF (\$0001H). All of register's data are cleared to "0" at initialization by the system reset. When an interrupt occurs, the CPU jumps to \$FFFEH & \$FFFFH to execute the interrupt service routine, thus the TMR flag must be cleared by software.

9.2. INT0 Interrupt

As soon as INT0 pin detects a falling edge trigger, NT6881 sets the INT0 flag (\$0000H, bit1). After that, the 6502 CPU is interrupted if this interrupt has already been enabled already by writing "1" to EINT0 (\$0002H, bit1). If EINT0 flag is cleared, 6502 CPU can't be INT0 interrupted even if the INT0 flag is set. INT0 flag can only be set by hardware and can not be set or cleared directly by the software except for writing "1" to CINT0 (\$0001H, bit1) flag to clear INT0 flag. When an interrupt occurs, the CPU will jump to \$FFFEH & \$FFFFH to execute the interrupt service routine so the INT0 flag must be cleared by software.

9.3. INT1 Interrupt

As soon as INT1 pin detects a falling edge trigger, NT6881 sets the INT1 flag (\$0000H, bit2). Then the 6502 CPU is interrupted if this interrupt has already been enabled already by writing "1" to EINT0 (\$0002H, bit2). If EINT1 flag is cleared, 6502 CPU can't be INT1 interrupted even if the INT1 flag is set. INT1 flag can only be set by hardware and can not be set or cleared directly by the software except for writing "1" to CINT1 (\$0001H, bit2) flag to clear INT1 flag. When an interrupt occurs, the CPU will jump to \$FFFEH & \$FFFFH to execute the interrupt service routine so the INT1 flag must be cleared by software.

9.4. KBD Interrupt

This interrupt will set the KBD flag (\$0000H, bit3) every 4ms(HID 1.00 version) to indicate that keyboard scan data is ready to send for endpoint1. And then 6502 CPU is interrupted if this interrupt has been enabled already by writing "1" to EKBD (\$0002H, bit3). If the EKBD flag is cleared, 6502 CPU can't be KBD interrupted even if KBD flag is set. The KBD flag can only be set by the hardware and can not be set or cleared directly by firmware except for writing "1" to CKBD (\$0001H, bit 3) flag to clear KBD flag. When an interrupt occurs, CPU jumps to \$FFFEH & \$FFFFH to execute the interrupt service routine, the KBD flag must be cleared by firmware.

9.5. IN0 Token Interrupt

When an IN TOKEN for endpoint 0 is done, it will set the IN0 flag. If this interrupt is enabled by writing "1" to EIN0 (\$0005H, bit0), it will interrupt 6502 CPU. When an interrupt occurs, the CPU jumps to \$FFFEH & \$FFFFH to execute the interrupt service routine, the IN0 flag must be cleared by the software.

9.6. OT0 (OUT 0) Token Interrupt

When an OUT TOKEN for endpoint 0 is done, it will set the OT0 flag. If this interrupt is enabled by writing "1" to EOT0 (\$0005H, bit1), it will interrupt 6502 CPU. When an interrupt occurs, the CPU jumps to \$FFFEH & \$FFFFH to execute the interrupt service routine, the OT0 flag must be cleared by the software.

9.7. IN1 Token Interrupt

When an IN TOKEN for endpoint 1 is done, it will set the IN1 flag. If this interrupt is enabled by writing "1" to EIN1 (\$0005H, bit2), it will interrupt 6502 CPU. When an interrupt occurs, the CPU jumps to \$FFFEH & \$FFFFH to execute the interrupt service routine, the IN1 flag must be cleared by software.

9.8. IN2 Token Interrupt

When an IN TOKEN for endpoint 2 is done, it will set the IN2 flag. If this interrupt is enabled by writing "1" to EIN2 (\$0005H, bit3), it will interrupt 6502 CPU. When an interrupt occurs, the CPU jumps to \$FFFEH & \$FFFFH to execute the interrupt service routine, the IN2 flag must be cleared by the software.

9.9. STUP (SETUP) Token Interrupt

When a SETUP TOKEN for endpoint 0 is done, it will set the STUP flag. If this interrupt is enabled by writing "1" to ESTUP (\$0005H, bit6), it will interrupt 6502 CPU. When an interrupt occurs, the CPU jumps to \$FFFEH & \$FFFFH to execute the interrupt service routine, the STUP flag must be cleared by the software.

9.10. SUSP Interrupt

When USB SIE detects a suspend signal, it sets the SUSP flag. Then 6502 CPU is interrupted if the interrupt has been enabled already by writing "1" to ESUSP (\$0005H, bit7). If ESUSP flag is cleared, 6502 CPU can't be SUSP interrupted even if SUSP flag is set. SUSP flag can be set by H/W only and can't be set/cleared directly by S/W except for writing "1" to CSUSP (\$0004H, bit 7) flag to clear SUSP flag. When an interrupt occurs, the CPU jumps to \$FFFEH & \$FFFFH to execute the interrupt service routine, the SUSP flag must be cleared by software.

10. I/O PORTs

The NT6881 has 32 pins dedicated to input and output. These pins are grouped into 5 ports, as follows:

PORT0 (P00~P07)

PORT0 is an 8-bit bi-directional CMOS I/O port that is internally pulled high by PMOS. Each pin of PORT0 can be bit programmed as an input or output port under software control. When programmed as output, data is latch to the port data register and output to the pin. PORT0 pins with "1" written to them are pulled high by the internal PMOS pull-ups, and can be used as inputs in that state then these input signals can be read. The port will output high after reset.

PORT1 (P10~P17): Functions the same as PORT0.

PORT2 (P20~P27): Functions the same as PORT0.

PORT3 (P30~P34): Functions the same as PORT0. Except for P33/P32 is shared with INT1/INT0 pin. It is also a Schmitt Trigger input with an interrupt source of falling edge sensitive.

LED: There are three LED direct sink pins which require no external serial resistors.
The address is mapped to \$000DH.

11. Watch-Dog Timer (WDT)

The NT6881 has a watch-dog timer reset function that protects programs against system standstill. The clock of the WDT is derived from the crystal oscillator. The WDT interval is about 0.15 seconds when operation frequency is 6MHz. The timer must be cleared every 0.15 second during normal operation; otherwise, it will overflow and cause system reset. (This cannot be disabled by software) Before watch-dog reset occurred, the software must clear watch-dog register by writing #55H to CLRWDT (\$000EH) register.

For example:

```
LDA  #55H
STA  $000E
```

12. Power Control

The power off flag (POF) in the MODE_FG register indicates whether a reset is a warm start or a cold start reset. POF is set by hardware when an external power VCC arises to its normal operating level, and must be cleared by software in the cold reset initialization procedure. A warm start reset (POF = 0) occurs at a watch-dog reset or resume reset.

Address	Register	Reset	Bit 7	Bit 6	Bit 5	Bit 4	Bit 3	Bit 2	Bit 1	Bit 0	R/W
\$000FH	MODE_FG	02H	-	-	-	-	-	-	POF	SUSF	R/W

13. Universal Serial Bus Interface

Please refer to UNIVERSAL SERIAL BUS specification Version 1.0 Chapter 7, 8, and 9.

14. Suspend and Resume

Suspend:

When SIE receives suspend signal, NT6881 generates SUSP interrupt request. In the SUSP interrupt service routine, the software must carry out following steps:

- 1) Clear SUSP IRQ flag,
- 2) Store all the port status,
- 3) Force return lines (PORT2) pull-high,
- 4) Force scan lines (PORT0, PORT1 and P30, P31 or P32) pull-low,
- 5) Turn off LED output,
- 6) Clear watch-dog register.

After the above action has been completed, the software must then set SUSLO (\$1EH) to #55H and SUSHI (\$1FH) to #AAH in order to enter the SUSPEND mode. Finally, oscillator stops in order to save power.

Resume:

When NT6881 receives a RESUME signal, the chip will resume and the firmware initializes itself. The initialization process includes, checking the status of the POF bit in the MODE_FG register, whereas if the POF bit equals "1", the firmware will enter into a cold reset procedure and clears the POF bit. If the POF bit equals "0", the firmware will enter into a warm reset procedure. If indeed a warm reset begins, the firmware checks the SUSF bit in MODE_FG. Regarding the SUSF bit, if it equals "1", the firmware enters into the RESUME procedure and then clears the SUSF bit, however if SUSF equals "0", then the firmware enters into a Watchdog Reset procedure.

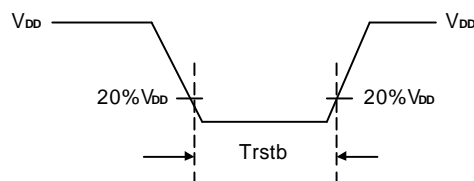
When any keyboard key is struck and the Remote_Wake_Up bit equals "1", a RESUME signal will be sent to the host, and the above procedure will repeat themselves.

15. Reset Source Summary

These are 5 reset sources in NT6881 as shown below.

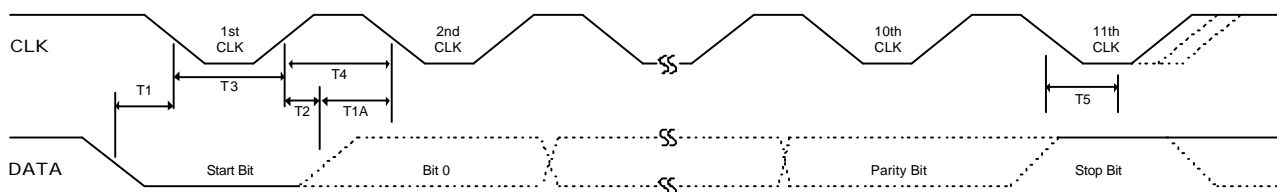
No.	Type	Function	Description
1	Cold	External Pin ($\overline{\text{RESET}}$)	Applied Externally
2	Cold	Power-on Reset	Reset after Power-on
3	Cold	USB Reset Signaling	10 ms Reset Period
4	Warm-1	Resume Reset	USB Reset Period
5	Warm-2	Watch-dog Reset	Reset every 0.15S (OSC = 6MHz)

NT6881 can also be reset externally through the $\overline{\text{RESET}}$ pin. A reset is initiated when the signal at the $\overline{\text{RESET}}$ pin is held Low for at least 10 system clocks. When $\overline{\text{RESET}}$ signal goes high, the NT6881 begins to work. The following shows the definition of $\overline{\text{RESET}}$ input low pulse width.



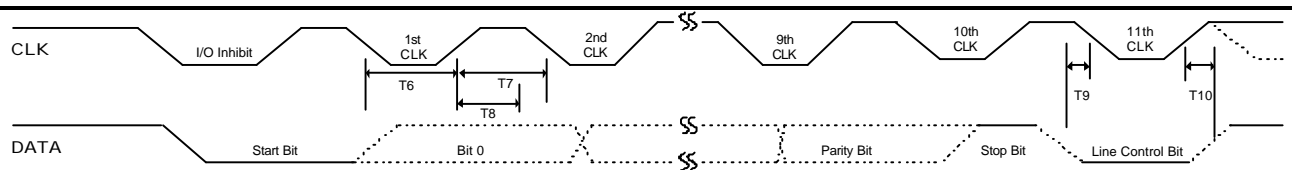
16. PS/2 Mouse Application

A PS/2 mouse interface is implemented in P32 (CLK), P33 (DATA) and P34 (Power Control). The timing diagrams are described as follows.



Auxiliary Device Sending Data Timings

Timing	Description	MIN/MAX
T1	Time from DATA transaction to falling edge of CLK 1	5/25us
T1A	Time from DATA transaction to falling edge of CLK 2-11	5/25us
T2	Time from rising edge of CLK to DATA transaction	5/T4-5us
T3	Duration of CLK inactive (LOW)	30/50us
T4	Duration of CLK active (HIGH)	30-50us
T5	Time to Auxiliary Device inhibit after clock 11 to ensure the Auxiliary Device does not start another transmission	>0/50us



Auxiliary Device Receiving Data Timings

Timing	Description	MIN/MAX
T6	Duration of CLK interface (LOW)	30/50us
T7	Duration of CLK active (HIGH)	30/50us
T8	Time from inactive to active CLK transition, used to time when the Auxiliary Device samples DATA	5/25 us
T9	Time from falling edge of line control bit to falling edge of clock 11 CLK	5 us/
T10	Time from rising edge of clock 11 to rising edge of line control bit	5/25 us

Absolute Maximum Rating*

DC Supply Voltage -0.3V to +7.0V
 Input/Output Voltage GND - 0.2V to $V_{DD} + 0.2V$
 Operating Ambient Temperature 0 °C to 70 °C
 Storage Temperature -55 °C to +125 °C
 Operating Voltage (V_{DD}) +4.4V to +5.25V

***Comments**

Stresses above those listed under "Absolute Maximum Rating" may cause permanent damage to the device. These are stress ratings only. Functional operation of this device at these or any other conditions above those indicated in the operational sections of this specification is not implied and exposure to absolute maximum rating conditions for extended periods may affect device reliability.

DC Electrical Characteristics ($V_{DD} = 5V$, $GND = 0V$, $T_A = 25^\circ C$, $F_{osc} = 6MHz$, unless otherwise noted)

Symbol	Parameters	Min.	Typ.	Max.	Unit	Conditions
V_{DD}	Operating Voltage	4.4	5	5.25	V	
I_{OP}	Operating Current			20	mA	No load
I_{SP}	Suspend Current			150	μA	Note 1
V_{IH}	Input High Voltage	2			V	
V_{IL}	Input Low Voltage			0.8	V	
V_{OH}	Output High Voltage	2.4			V	$I_{OH} = -100\mu A$
V_{OL1}	Output Low Voltage (P0/P1/P2)			0.4	V	$I_{OL1} = 4mA$
V_{OL2}	Output Low Voltage (P3)			0.4	V	$I_{OL2} = 5mA$
I_{LED}	LED Sink Current	6	10	14	mA	$V_{OL} = 3.2V$

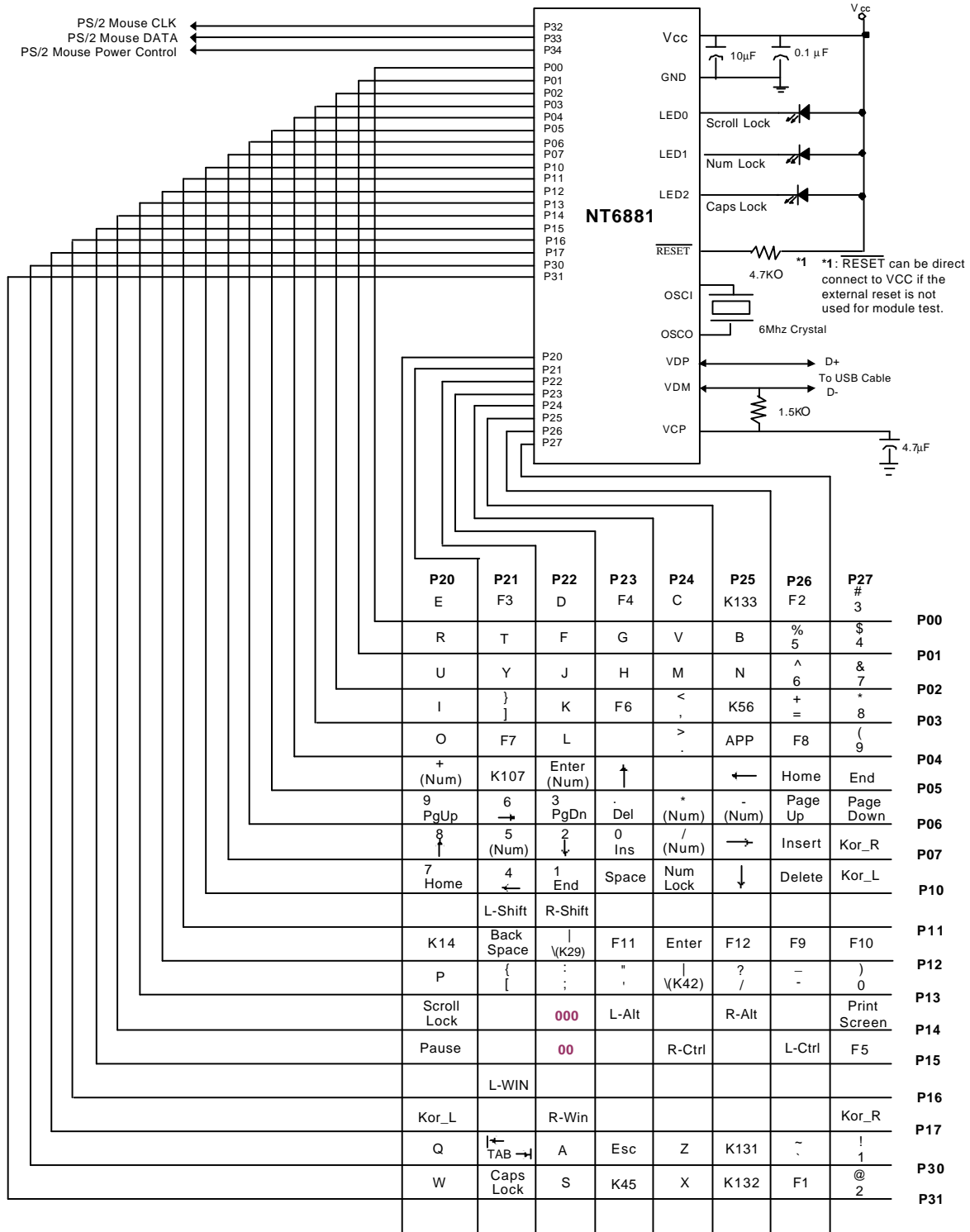
Note 1: The test condition of I_{SP} is when both of 2 things occur, 1) an oscillation stop and 2) no application circuit is applied. When an application circuit is applied in the keyboard, and the PC is suspended, the suspend current of the keyboard must be less than 500 μA .

AC Electrical Characteristics ($V_{DD} = 5V$, $GND = 0V$, $T_A = 25^\circ C$, $F_{osc} = 6MHz$, unless otherwise noted)

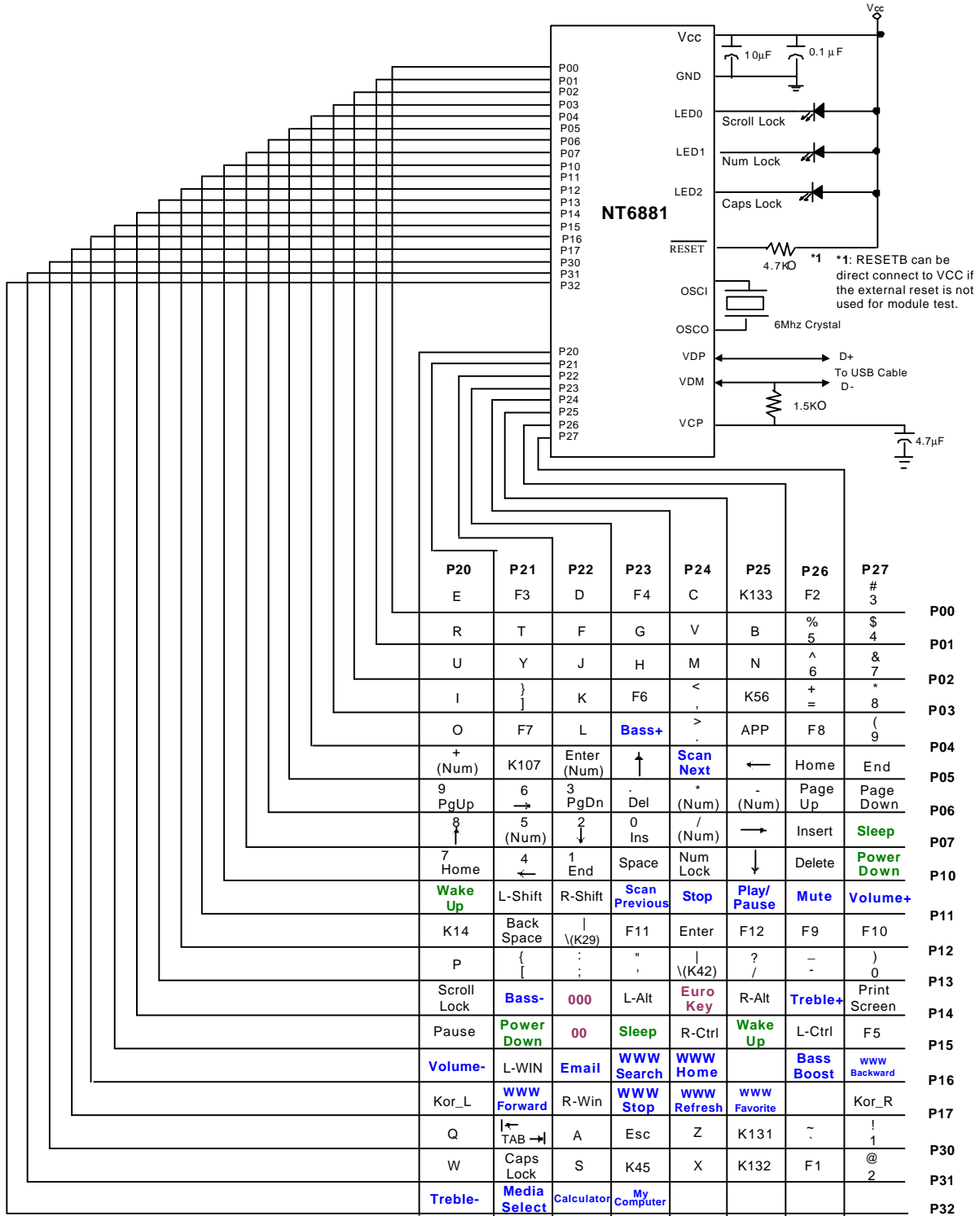
Symbol	Parameters	Min.	Typ.	Max.	Unit	Conditions
F_{OSC}	Oscillator Frequency	5.97	6	6.03	MHz	OSC within +/- 0.5%
T_{RSTB}	\overline{RESET} Input Low Pulse Width	1.67			μs	10 system clocks
T_{POR}	Power On Reset Time	5		30	ms	

USB DC/AC SPECIFICATIONS

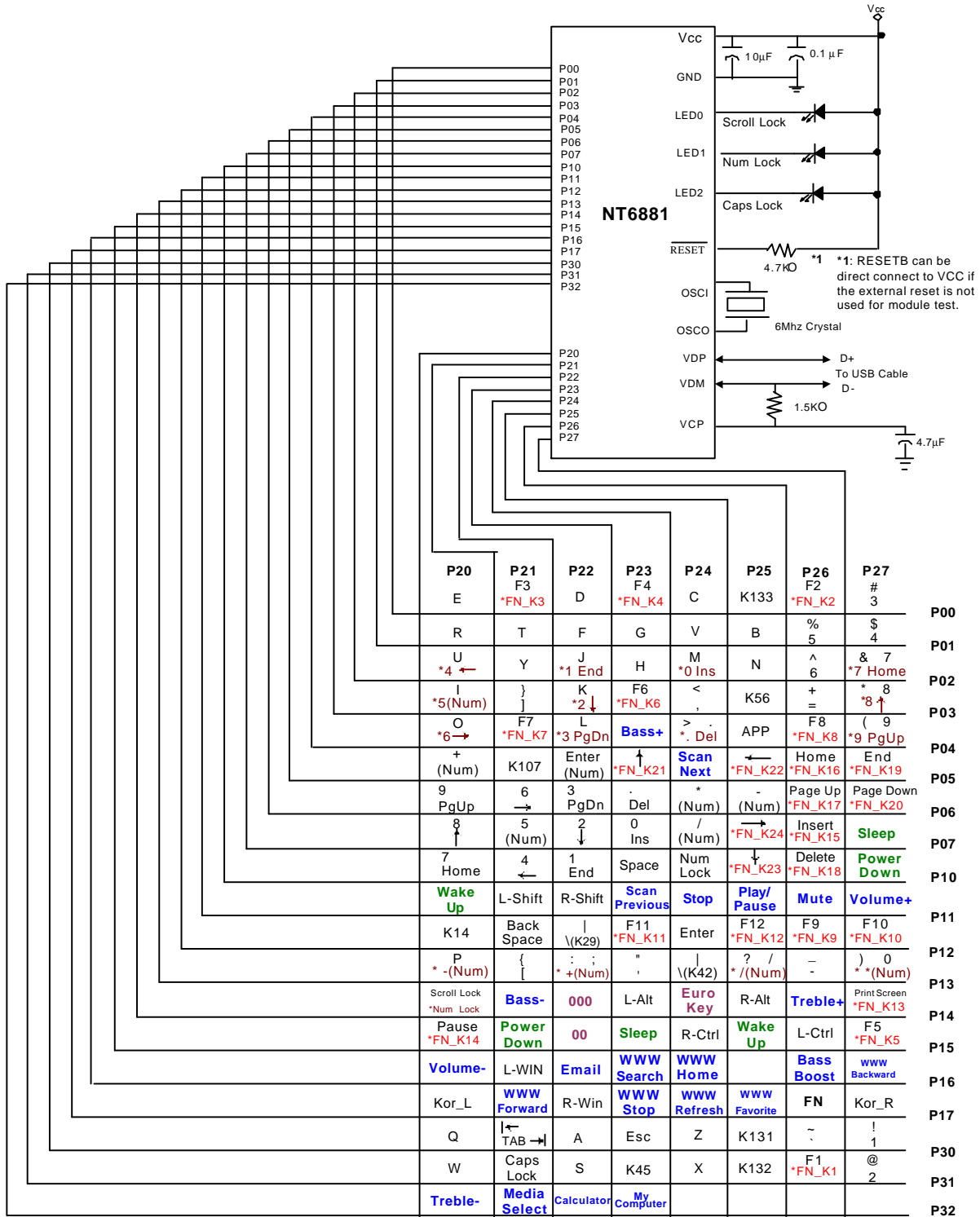
Please refer to UNIVERSAL SERIAL BUS specification Version 1.0 Chapter 7.

Application Circuit 1 (Simple Keyboard with PS/2 Mouse)


Notice: "Return Key" must be forced to PORT2 for remote wake up function. If not, remote wake up function will not work.

Application Circuit 2 (Windows 2000 Compatible Keyboard)


Notice: "Return Key" must be forced to PORT2 for remote wake up function. If not, remote wake up function will not work.

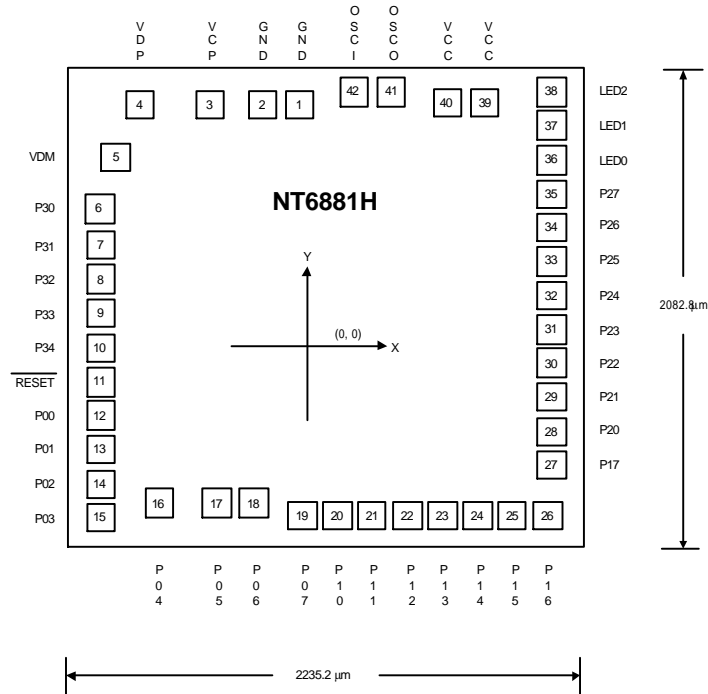
Application Circuit 3 (Mini Keyboard)


Notice: "Return Key" must be forced to PORT2 for remote wake up function. If not, remote wake up function will not work.

*: For FN key model usage

FN Key Model Usage for Keypad						
FN+Scroll Lock	Num Lock					
FN+& 7	7 Home	FN+* 8	8 ↑	FN + (9	9 PgUp	FN+) 0 *(Num)
FN+U	4 ←	FN+I	5(Num)	FN+O	6 →	FN+P -(Num)
FN+J	1 End	FN+K	2 ↓	FN+L	3 PgDn	FN+: ; +(Num)
FN+M	0 Ins			FN+> .	. Del	FN+? / /(Num)

FN Key Model Usage for Consumer Keys					
FN_K1	FN+F1	WWW Backward	FN_K2	FN+F2	WWW Forward
FN_K3	FN+F3	WWW Stop	FN_K4	FN+F4	WWW Refresh
FN_K5	FN+F5	WWW Search	FN_K6	FN+F6	WWW Favorite
FN_K7	FN+F7	WWW Home	FN_K8	FN+F8	Email
FN_K9	FN+F9	My Computer	FN_K10	FN+F10	Calculator
FN_K11	FN+F11	Media Select	FN_K12	FN+F12	Mute
FN_K13	FN+Print Screen	Bass Boost	FN_K14	FN+Pause	Sleep
FN_K15	FN+Insert	Volume+	FN_K16	FN+Home	Bass+
FN_K17	FN+Page Up	Treble+	FN_K18	FN+Delete	Volume-
FN_K19	FN+End	Bass-	FN_K20	FN+Page Down	Treble-
FN_K21	FN+ ↑	Stop	FN_K22	FN+ ←	Scan Previous Track
FN_K23	FN+ ↓	Play/Pause	FN_K24	FN+ →	Scan Next Track

Bonding Diagram


Substrate connect to GND

Unit: μm

Pad No.	Designation	X	Y	Pad No.	Designation	X	Y
1	GND	-28.90	806.90	22	P12	442.15	-901.40
2	GND	-163.90	806.95	23	P13	572.15	-901.40
3	VCP	-424.10	819.55	24	P14	702.15	-901.40
4	VDP	-841.85	828.05	25	P15	832.15	-901.40
5	VDM	-924.35	549.95	26	P16	962.15	-901.40
6	P30	-979.05	275.10	27	P17	980.50	-561.55
7	P31	-980.35	140.70	28	P20	980.45	-426.75
8	P32	-980.40	10.65	29	P21	980.35	-292.35
9	P33	-980.40	-119.30	30	P22	980.35	-162.50
10	P34	-980.50	-249.30	31	P23	980.40	-32.40
11	RESET	-980.70	-380.20	32	P24	980.15	97.60
12	P00	-980.30	-509.30	33	P25	980.45	227.65
13	P01	-980.30	-639.25	34	P26	980.40	357.55
14	P02	-980.40	-769.30	35	P27	980.35	487.75
15	P03	-980.40	-899.30	36	LED0	980.40	628.70
16	P04	-601.05	-859.30	37	LED1	980.40	754.80
17	P05	-350.25	-859.30	38	LED2	980.40	888.75
18	P06	-218.25	-859.30	39	VCC	685.45	793.80
19	P07	52.15	-901.40	40	VCC	512.75	793.80
20	P10	182.15	-901.40	41	OSCO	288.75	883.80
21	P11	312.15	-901.40	42	OSCI	158.75	883.80

Ordering Information

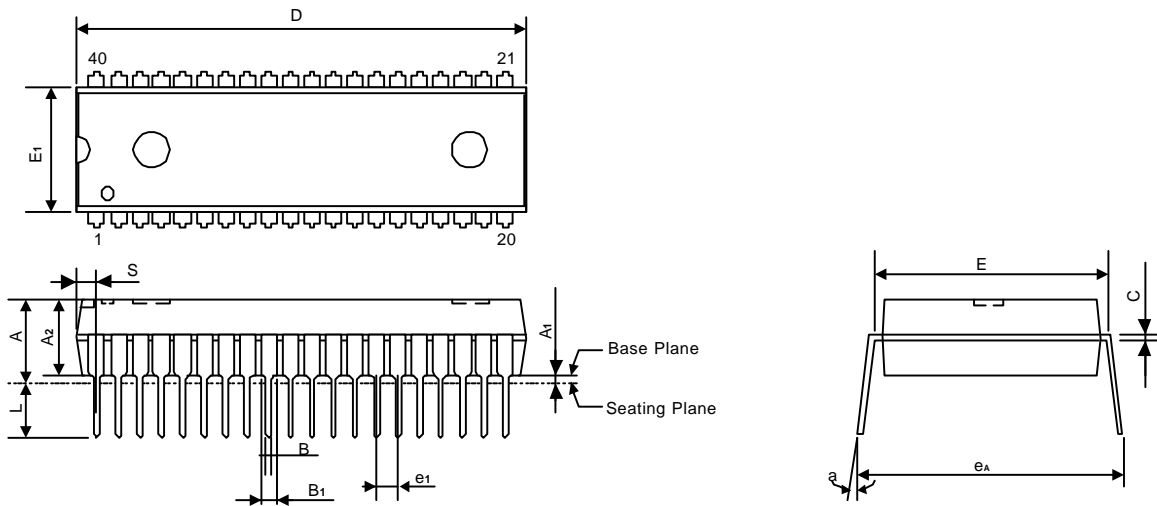
Part No.	Packages
NT6881H	CHIP FORM
NT6881	40L DIP

Standard code functional descriptions

Code Number	Name	Reference application circuit	Functional Description
NT6881-D01012	Simple Keyboard with PS/2 Mouse	Application circuit 1	1. PS/2 mouse port 2. '000' and '00' keys
NT6881-D01013	Windows 2000 Compatible Keyboard	Application circuit 2	1. ACPI keys 2. '000', '00' and Euro keys 3. Consumer keys (Windows 2000)
NT6881-D01014	Mini Keyboard	Application circuit 3	1. ACPI keys 2. '000', '00' and Euro keys 3. Consumer keys (Windows 2000) 4. FN key and 40 Translated keys

Package Information
P-DIP 40L Outline Dimensions

unit: inches/mm



Symbol	Dimensions in inches	Dimensions in mm
A	0.210 Max.	5.33 Max.
A ₁	0.010 Min.	0.25 Min.
A ₂	0.155±0.010	3.94±0.25
B	0.018 +0.004 -0.002	0.46 +0.10 -0.05
B ₁	0.050 +0.004 -0.002	1.27 +0.10 -0.05
C	0.010 +0.004 -0.002	0.25 +0.10 -0.05
D	2.055 Typ. (2.075 Max.)	52.20 Typ. (52.71 Max.)
E	0.600±0.010	15.24±0.25
E ₁	0.550 Typ. (0.562 Max.)	13.97 Typ. (14.27 Max.)
e ₁	0.100±0.010	2.54±0.25
L	0.130±0.010	3.30±0.25
	0° ~ 15°	0° ~ 15°
e _A	0.655±0.035	16.64±0.89
S	0.093 Max.	2.36 Max.

Note:

1. The maximum value of dimension D includes end flash.
2. Dimension E₁ does not include resin fins.
3. Dimension S includes end flash.

Product Spec. Change Notice

NT6881 Specification Revision History		
Version	Content	Data
2.7	FN Key Model Usage for Consumer Keys modified - FN_K22 and FN_K24 (Page 19)	Oct. 2002
2.6	Volume Knob Application deleted (Page 13) PS/2 Mouse Application added (Page 13 and 14) Application circuit 2 and 3 modified (Page 17 and 18) FN key usage added (Page 19) Standard code functional descriptions modified (Page 21)	Sep. 2002
2.5	Application circuits modified (Page 15, 16 and 17) Standard code functional description added (Page 19)	July 2002
1.0	Original	Nov. 1998