
ML2201-XXX

Speech Synthesizer LSI with on-chip 384K Mask ROM

GENERAL DESCRIPTION

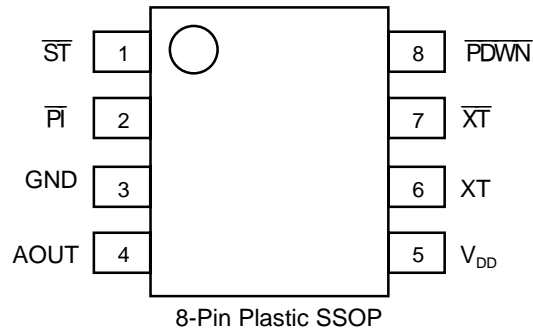
The ML2201 is a PCM-based speech synthesizer LSI having an on-chip 384K Mask ROM, D/A Converter and Low Pass Filter. Utilizing the serial interface enables smaller footprint packaging, which makes the chip an ideal choice for a pre-recorded message subsystem used with today's size-critical applications.

FEATURES

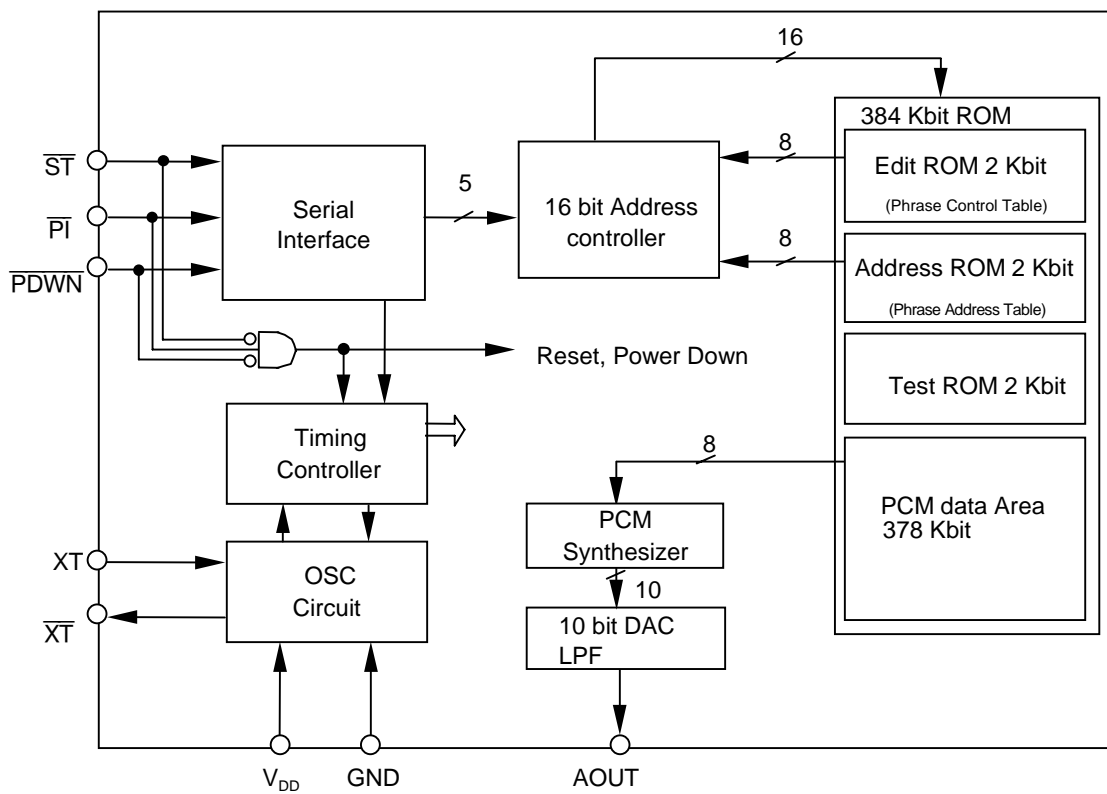
- Sampling Frequency (Selectable for each single phrase)
4.0/5.3/6.4/8.0/10.6/12.8/16.0 kHz
- On-chip 384 Kbit Mask ROM
- Maximum Playback Time (At $f_{EXTCLK} = 4.096$ MHz)
12.0 sec At $f_{SAM} = 4.0$ kHz
6.0 sec At $f_{SAM} = 8.0$ kHz
3.0 sec At $f_{SAM} = 16.0$ kHz
- External Clock Frequency Range *
 $f_{EXTCLK} = 3.5$ to 4.096 MHz (Typ.) to 17.0 MHz
- On-chip Phrase Control Table
- Maximum Number of Phrases: 31 Phrases
- Built-in 10-bit Current-Output Type D/A Converter
- Built-in LPF
- Packaging: 8-pin Plastic SSOP (SSOP8-P-44-0.65-K)
(Product Code: ML2201-XXX MBZ060)
- Power Supply Voltage: +2.0 to +5.5 V

* Note: As of February 2000, ceramic oscillation on this chip is under development and thus the chip is not functional with a ceramic oscillator. The manufacturer intends to add a ceramic oscillation option to the chip. For more information on availability in commercial quantity, contact your sales representative.

PIN LAYOUT (TOP VIEW)



BLOCK DIAGRAM



PIN DESCRIPTION

Pin No.	Pin Name	I/O	Description
1	\overline{ST}	I	The playback trigger pin. The number of pulses input to the \overline{PI} pin, while this pin is held "L", determines the Phrase Address for playback. At the \overline{ST} 's rising edge, the phrase address data is loaded into the LSI and playback starts. When no pulse input to \overline{PI} occurs while this pin is held "L", the LSI recognizes it as the "Stop Code" that results in stopping playback.
2	\overline{PI}	I	The address input pin. The number of pulses input to this pin, while the \overline{ST} pin is held "L", determines the Phrase Address for playback. When 32 pulses are input, the internal counter returns to its initial value, "0".
3	GND	—	The ground pin.
4	AOUT	O	The analog output pin. Configured as N-MOS open drain, analog signal is output in the form of change in output (attraction) current. While the \overline{PDWN} pin being held "H", this pin is sustained at 1/2 level and thus the current keeps on flowing. When shifting to standby state and shifting back to ready state from standby, the pop-noise canceller is put to work.
5	V_{DD}	—	The power supply pin. Insert a 0.1 μ F bypass capacitor between this pin and the GND pin.
6	XT	I	The external clock input pin. The ceramic resonator connection pin for ceramic oscillation option under development.
7	\overline{XT}	O	Keep this pin open. The LSI's operations may become unstable if this pin includes any capacitive component. The ceramic resonator connection pin for ceramic oscillation option under development.
8	\overline{PDWN}	I	The power down pin. The LSI stays standby state while the pin being held "L".

ABSOLUTE MAXIMUM RATINGS

(GND = 0 V)

Parameter	Symbol	Condition	Rating	Unit
Power Supply Voltage	V_{DD}	$T_a = 25^\circ\text{C}$	-0.3 to +7.0	V
Input Voltage	V_{IN}		-0.3 to $V_{DD} + 0.3$	V
Storage Temperature	T_{STG}	—	-55 to +150	$^\circ\text{C}$
Power Drain Allowance	P_d	$T_a = 25^\circ\text{C}$	250	mW

RECOMMENDED OPERATING CONDITIONS

(GND = 0 V)

Parameter	Symbol	Condition	Range			Unit
Power Supply Voltage	V_{DD}	$f_{EXTCLK} = 3.5$ to 4.5 MHz	+2.0 to +5.5			V
		$f_{EXTCLK} = 3.5$ to 13.5 MHz	+2.6 to +5.5			V
		$f_{EXTCLK} = 3.5$ to 17.0 MHz	+3.0 to +5.5			V
External Clock Frequency	f_{EXTCLK}		Min.	Typ.	Max.	MHz
		$V_{DD} = 2.0$ to 5.5 V	3.5	4.096	4.5	
		$V_{DD} = 2.6$ to 5.5 V	3.5	—	13.5	
		$V_{DD} = 2.7$ to 5.5 V	3.5	—	14.5	
		$V_{DD} = 3.0$ to 5.5 V	3.5	—	17.0	
Operating Temperature	T_{OP}	—	-40 to +85			$^\circ\text{C}$

ELECTRICAL CHARACTERISTICS

DC Characteristics

 $V_{DD} = 2.0 \text{ to } 5.5 \text{ V}$, $GND = 0 \text{ V}$, $f_{EXTCLK} = 4.096 \text{ MHz}$, $T_a = -40 \text{ to } +85^\circ\text{C}$ (unless otherwise specified)

Parameter	Symbol	Condition	Min.	Typ.	Max.	Unit	
"H" Input Voltage	V_{IH}	$F_{EXTCLK} > 14.5 \text{ MHz}$ $V_{DD} = 3.0 \text{ to } 5.5 \text{ V}$	V_{DD} $\times 0.85$	—	—	V	
		$f_{EXTCLK} \leq 14.5 \text{ MHz}$ $V_{DD} = 2.7 \text{ to } 5.5 \text{ V}$	V_{DD} $\times 0.8$	—	—	V	
		$f_{EXTCLK} \leq 13.5 \text{ MHz}$ $V_{DD} = 2.6 \text{ to } 2.7 \text{ V}$	V_{DD} $\times 0.85$	—	—	V	
		$f_{EXTCLK} \leq 4.5 \text{ MHz}$ $V_{DD} = 2.0 \text{ to } 5.5 \text{ V}$	V_{DD} $\times 0.8$	—	—	V	
"L" Input Voltage	V_{IL}	$F_{EXTCLK} > 14.5 \text{ MHz}$ $V_{DD} = 3.0 \text{ to } 5.5 \text{ V}$	—	—	V_{DD} $\times 0.15$	V	
		$f_{EXTCLK} \leq 14.5 \text{ MHz}$ $V_{DD} = 2.7 \text{ to } 5.5 \text{ V}$	—	—	V_{DD} $\times 0.2$	V	
		$f_{EXTCLK} \leq 13.5 \text{ MHz}$ $V_{DD} = 2.6 \text{ to } 2.7 \text{ V}$	—	—	V_{DD} $\times 0.15$	V	
		$f_{EXTCLK} \leq 4.5 \text{ MHz}$ $V_{DD} = 2.0 \text{ to } 5.5 \text{ V}$	—	—	V_{DD} $\times 0.2$	V	
"H" Input Current	I_{IH}	$V_{IH} = V_{DD}$	—	—	10	μA	
"L" Input Current	I_{IL}	$V_{IL} = GND$	-10	—	—	μA	
Supply Current	I_{DD}	Except AOUT output current	$V_{DD} = 5.5 \text{ V}$ $f_{EXTCLK} = 4.096 \text{ MHz}$	—	1.7	3.9	mA
			$V_{DD} = 3.0 \text{ V}$ $f_{EXTCLK} = 4.096 \text{ MHz}$	—	0.9	2.1	mA
			$V_{DD} = 2.0 \text{ V}$ $f_{EXTCLK} = 4.096 \text{ MHz}$	—	0.5	1.4	mA
			$V_{DD} = 5.5 \text{ V}$ $f_{EXTCLK} = 16 \text{ MHz}$	—	4.6	12.0	mA
			$V_{DD} = 3.0 \text{ V}$ $f_{EXTCLK} = 16 \text{ MHz}$	—	1.8	6.5	mA
Standby Current	I_{DS}	$T_a = -40 \text{ to } +70^\circ\text{C}$	—	—	10	μA	
		$T_a = -40 \text{ to } +85^\circ\text{C}$	—	—	50	μA	
AOUT Output Current	I_{AOUT}	At max. output current	$V_{DD} = 2.0 \text{ to } 5.5 \text{ V}$	0.5	—	10.0	mA
			$V_{DD} = 5.5 \text{ V}$	4.3	6.8	10.0	mA
			$V_{DD} = 3.0 \text{ V}$	1.4	2.7	3.9	mA
			$V_{DD} = 2.0 \text{ V}$	0.5	1.2	2.2	mA

AC Characteristics

 $V_{DD} = 2.0 \text{ to } 5.5 \text{ V}$, $GND = 0 \text{ V}$, $f_{EXTCLK} = 4.096 \text{ MHz}$, $T_a = -40 \text{ to } +85^\circ\text{C}$ (unless otherwise specified)

Parameter	Symbol	Condition	Min.	Typ.	Max.	Unit
Clock Oscillation Duty Cycle	f_{DUTY}	—	40	50	60	%
Reset Input Time after Powering Up	t_{RST}	—	10	—	—	μs
$\overline{\text{PDWN}}$ Hold Time after Reset Input	t_{PDH}	—	10	—	—	μs
D/A Converter Transit Time (Pop-Noise Canceller Work Time) Note *1	t_{DAR} , t_{DAF}	—	60	64	68	ms
$\overline{\text{PDWN}}$ – $\overline{\text{ST}}$ Setup Time	t_{PDSS}	—	1	—	—	μs
$\overline{\text{ST}}$ – $\overline{\text{PI}}$ Setup Time	t_{SPS}	—	1	—	—	μs
$\overline{\text{PI}}$ Pulse Width	t_{PW}	—	0.35	—	2000	μs
$\overline{\text{PI}}$ Cycle Time	t_{PC}	—	0.7	—	4000	μs
$\overline{\text{ST}}$ – $\overline{\text{PI}}$ Hold Time	t_{SPH}	—	1	—	—	μs
$\overline{\text{ST}}$ – AOUT Setup Time Note *2	t_{SAS}	At $f_{SAM} = 8.0 \text{ kHz}$		—	1050	μs
Phrase Stop Time Note *2	t_{DPS}	At $f_{SAM} = 8.0 \text{ kHz}$		—	700	μs
Silence Time between Phrases Note *2	t_{BLN}	At $f_{SAM} = 8.0 \text{ kHz}$		—	700	μs
Stop $\overline{\text{ST}}$ Pulse Width	t_{SSW}	—	0.35	—	2000	μs
Phrase $\overline{\text{ST}}$ – Phrase $\overline{\text{ST}}$ Pulse Duration Note *2	t_{PP}	At $f_{SAM} = 8.0 \text{ kHz}$	1050	—	—	μs
Phrase $\overline{\text{ST}}$ – Stop $\overline{\text{ST}}$ Pulse Duration Note *2	t_{PS}	At $f_{SAM} = 8.0 \text{ kHz}$	1050	—	—	μs
Stop $\overline{\text{ST}}$ – Phrase $\overline{\text{ST}}$ Pulse Duration Note *2	t_{SP}	At $f_{SAM} = 8.0 \text{ kHz}$	500	—	—	μs
Sampling Frequency Note *3	f_{SAM}	—	3.9	—	28.0	kHz

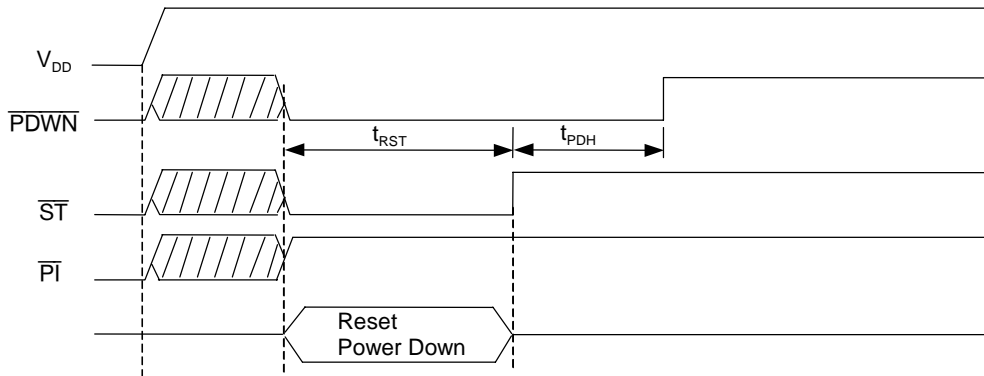
Note *1: The value changes in proportion to the external clock frequency, f_{EXTCLK} .

Note *2: The value changes in proportion to the sampling frequency, f_{SAM} .

Note *3: The sampling frequency is determined by the external clock frequency, f_{EXTCLK} , and the dividing factor that is selected for each phrase.

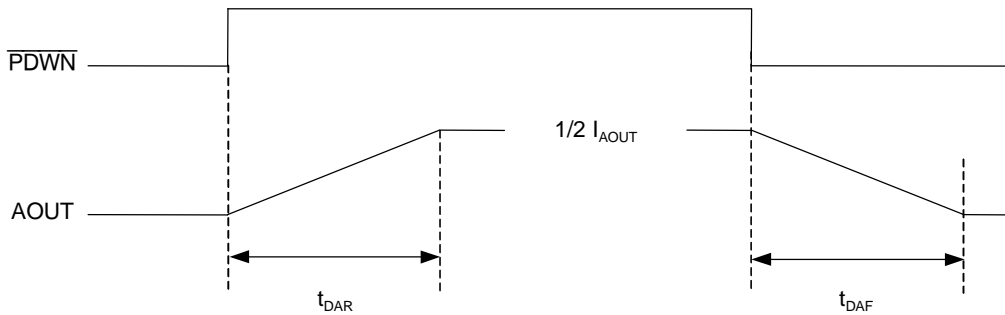
TIMING DIAGRAMS

Timing Diagram at Powering On

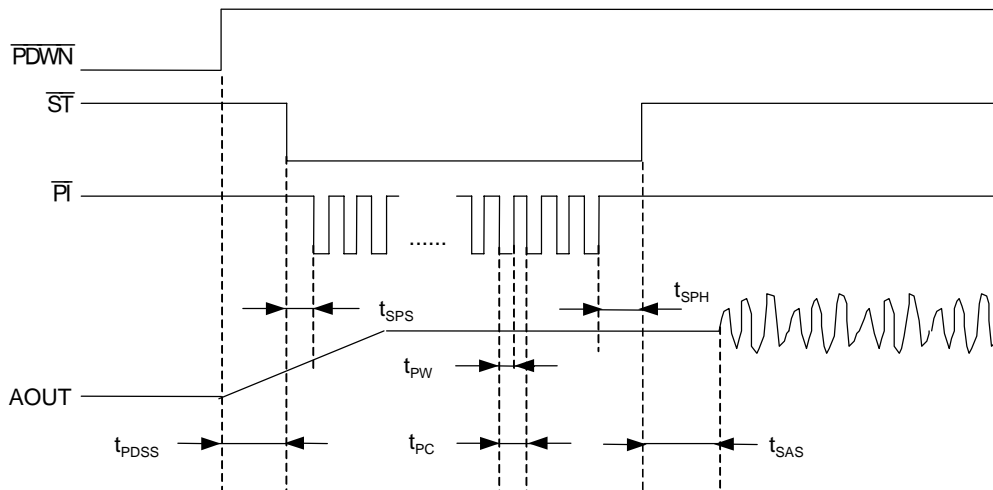


NOTE: The LSI's reset operation can be performed by using a level input combination of $\overline{PDWN} = "L"$, $\overline{ST} = "L"$ and $\overline{PI} = "H"$. After powering on, the initial reset operation is required at the above timing.

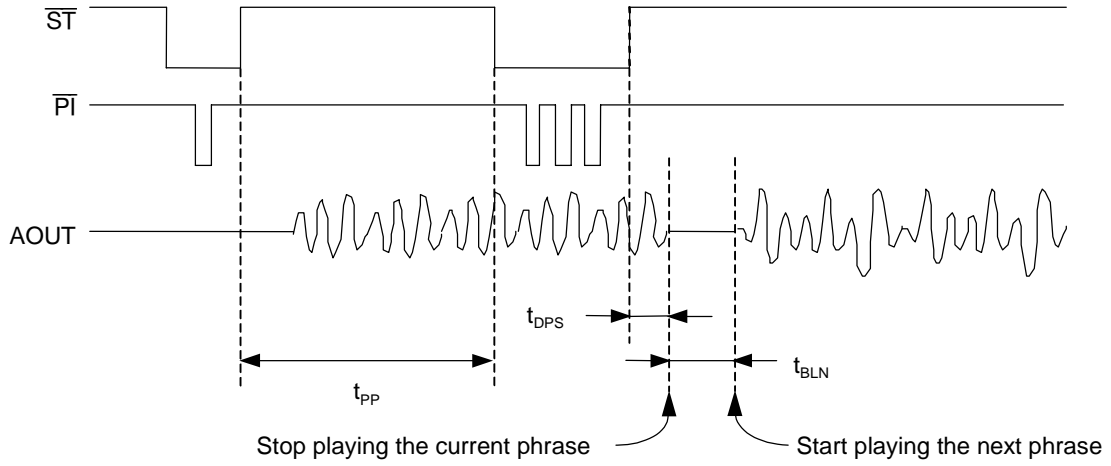
Timing Diagram at Powering Up and Standby State



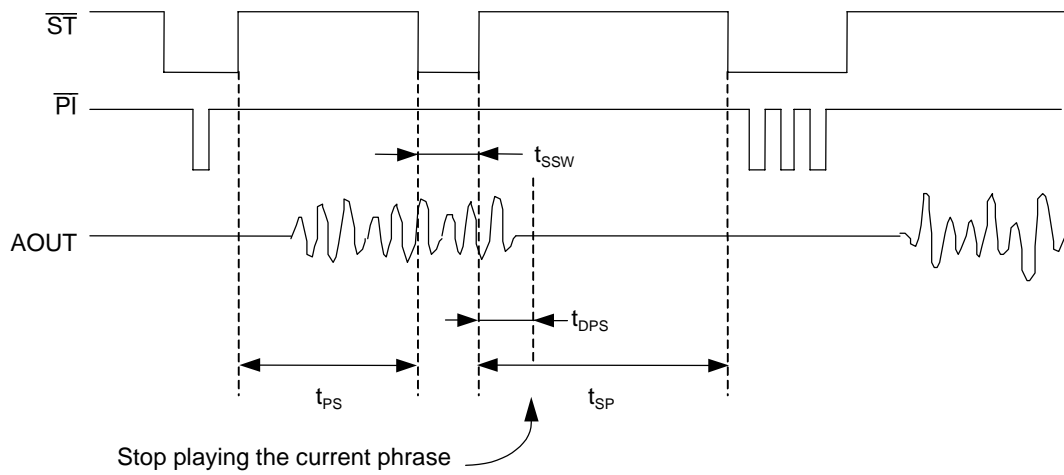
Timing Diagram for Playback



Timing Diagram on Re-addressing while Playing



Timing Diagram on Stop Code Input



FUNCTIONAL DESCRIPTION

Sampling Frequency

You can select a sampling frequency for each phrase address from the following list while you are working on sound data. Select a sampling frequency that satisfies $f_{\text{SAM}} = 3.9$ to 28.0 kHz from the values obtained with the dividing factors as shown in the Table 1 below.

Table 1 Sampling Frequency

Sampling Frequency At $f_{\text{EXTCLK}} = 4.096$ MHz	Dividing Factor
4.0 kHz	$f_{\text{EXTCLK}}/1024$
5.3 kHz	$f_{\text{EXTCLK}}/768$
6.4 kHz	$f_{\text{EXTCLK}}/640$
8.0 kHz	$f_{\text{EXTCLK}}/512$
10.6 kHz	$f_{\text{EXTCLK}}/384$
12.8 kHz	$f_{\text{EXTCLK}}/320$
16.0 kHz	$f_{\text{EXTCLK}}/256$

Memory Allocation and Playback Time Length

As shown in the Figure 1, the on-chip Mask ROM of ML2201 is partitioned into four areas, Phrase Control Table, Address Control Table, Test Data area and User's Data area. The actual data area where user's sound data can be stored is 378 Kbit, that is the total on-chip Mask ROM capacity minus 6 Kbit.

Phrase Control Table Area	2 Kbit
Address Control Table Area	2 Kbit
Test Data Area	2 Kbit
User's Sound Data Area	378 Kbit

Figure 1 On-chip Mask ROM (384 Kbit) Memory Allocation

You can calculate playback time length with memory size divided by a bit rate. The following formula can be used for 8-bit PCM-based ML2201;

$$\text{Playback Time (sec)} = \frac{\text{Memory Size (Bit)}}{\text{Bit Rate (bps)}} = \frac{\text{Memory Size (Bit)}}{\text{Ext. Clock Frequency (Hz)} \times 8}$$

For example, when you store all phrases at 8.0 kHz Sampling Frequency, the maximum playback time is calculated as follows;

$$\text{Playback Time (sec)} = \frac{(384 - 6) \times 1024 \text{ Bit}}{8000 \text{ (Hz)} \times 8 \text{ Bit}} \cong 6.0 \text{ sec}$$

Playback Algorithm

ML2201 uses OKI Non-Linear PCM algorithm, an advanced variation of PCM.

In mid-range wave-form, this algorithm has precision and quality equivalent to those of 10-bit Straight PCM.

Inserting Silence

In addition to playing normal recorded sound phrases, ML2201 allows you to insert silence (a silent phrase) . You can define time length of silence freely in 32 ms steps, within the range of minimum 32 ms and maximum 992 ms at $f_{\text{EXTCLK}} = 4.096 \text{ MHz}$. Those time length vary in proportion to the external clock frequency, f_{EXTCLK} .

Phrase Control Table

The user-definable on-chip Phrase Control Table feature enables you to play back multiple phrases in a single continuous session with just the same simple control as in a regular single phrase playback. You can assign up to 8 phrases including a silent phrase (s) to a single address. This allows you to get the most out of limited memory space because you can eliminate duplicate sound data.

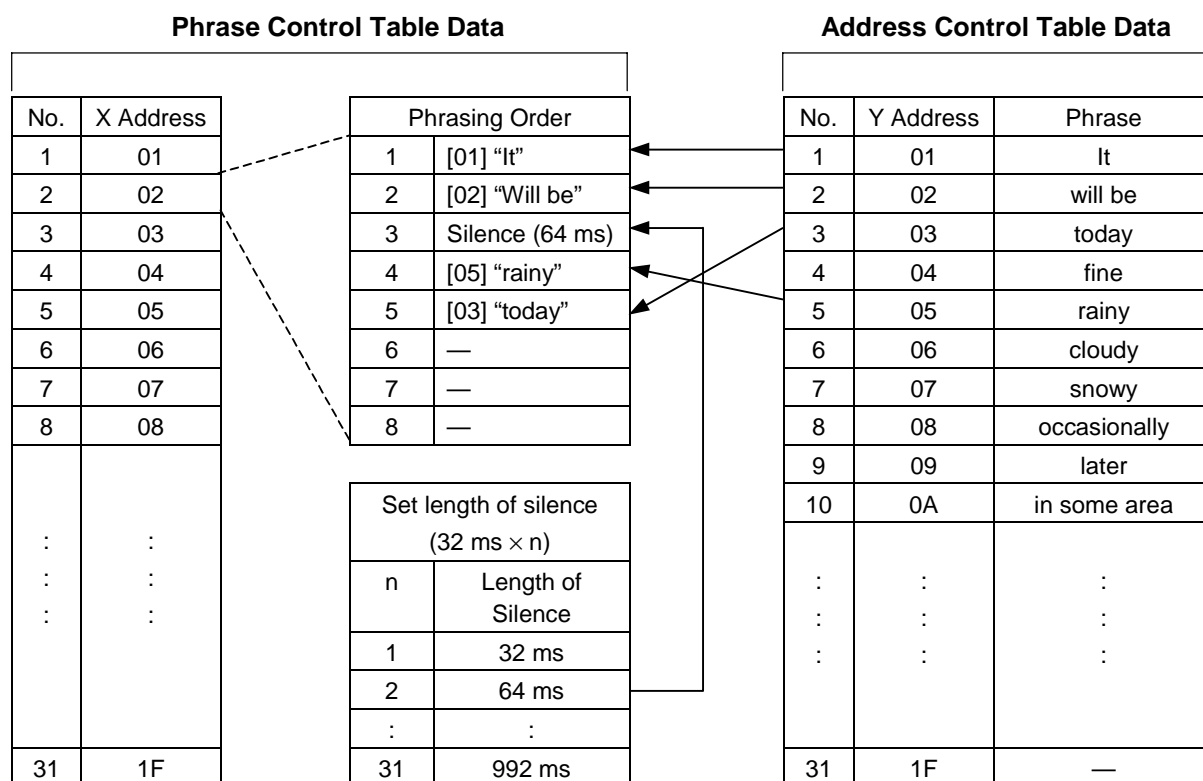
As an example, let's assume you want to create several similar phrases like "It will be xxxxx today". "xxxxx" can be "sunny", "rainy" or "cloudy". The common words such as "It", "will be" and "today" are created separately as an independent phrase, and phrasing order information is stored in the Phrase Control Table, as shown in the Table 2 and Figure 2.1. From the external control, simply selecting an X address causes the LSI to play multiple phrases continuously. In this example shown in the Table 2, selecting [01] address starts to play "It will be fine today, while selecting [02] "It will be rainy today".

You can also insert a silent phrase to the Phrase Control Table without consuming any memory space.

Minimum Time Length of Silence	32 ms
Maximum Time length of Silence	992 ms
Incremental Step	32 ms

Table 2 Phrase Control Table Data

No.	X Address (HEX)	Y Address (Phrasing Order) (Up to 8 phrases)								Playback
1	01	[01]	[02]	Silence	[04]	[03]				It will be (Silence) fine today.
2	02	[01]	[02]	Silence	[05]	[03]				It will be (Silence) rainy today.
3	03	[01]	[02]	[04]	[09]	[06]	[0A]	[05]	[03]	It will be fine. later cloudy. occasionally rainy.
:	:									:
30	1 E									
31	1 F									



Time unit of silence varies in proportion to the dividing factor of f_{EXTCLK} .

Figure 2.1 Phrase Data Combination for Use with Phrase Control Table

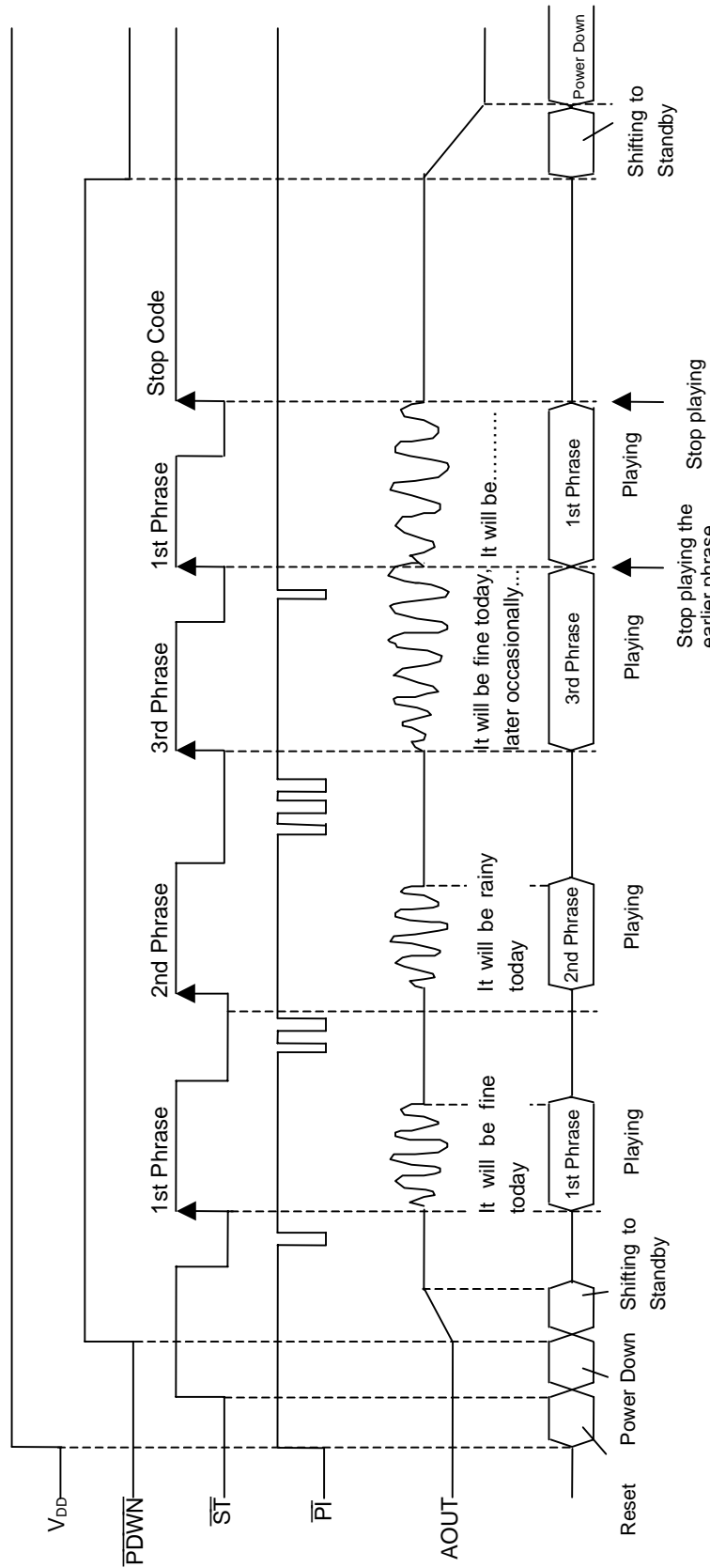


Figure 2.2 Timing Diagram for Playback with Phase Control Table Function

External Clock Input

The Figure 3 shows wiring of an external timing source.
(A type of the external clock should be determined at selecting chip options.)

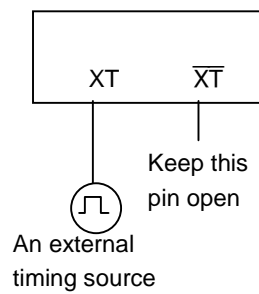


Figure 3 External Clock Input

* Note: As of July 1999, ceramic oscillation on this chip is under development and thus the chip is not functional with a ceramic oscillator. The manufacturer intends to add a ceramic oscillation option to the chip. For more information on availability in commercial quantity, contact your sales representative.

Low Pass Filter

ML2201's analog output goes through the built-in Low Pass Filter. The Figure 4 below shows Frequency Characteristics and the Table 3 shows Cut-Off Frequency of the LPF.

The LPF's Frequency Characteristics and Cut-Off Frequency change in proportion to the sampling frequency. No analog output directly from the D/A converter is unavailable on this chip.

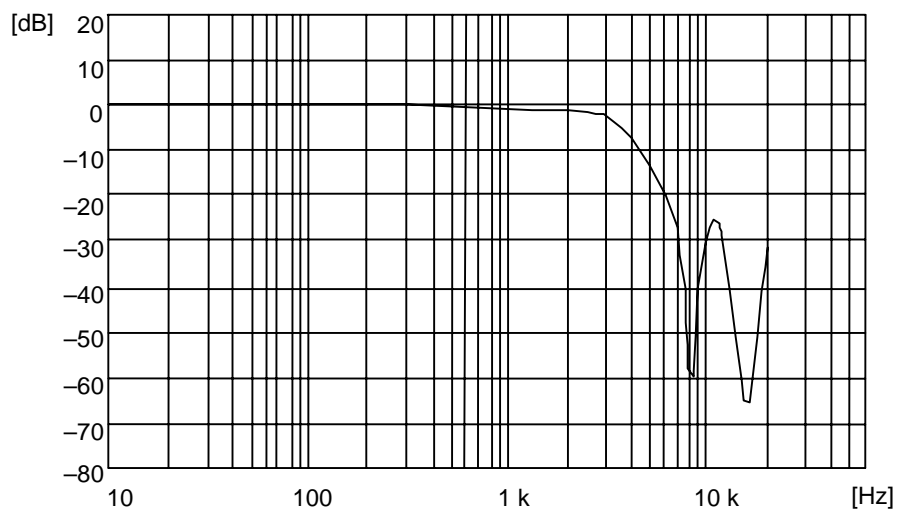


Figure 4 LPF Frequency Characteristics ($f_{\text{SAM}} = 8.0 \text{ kHz}$)

Table 3 LPF Cut-Off Frequency

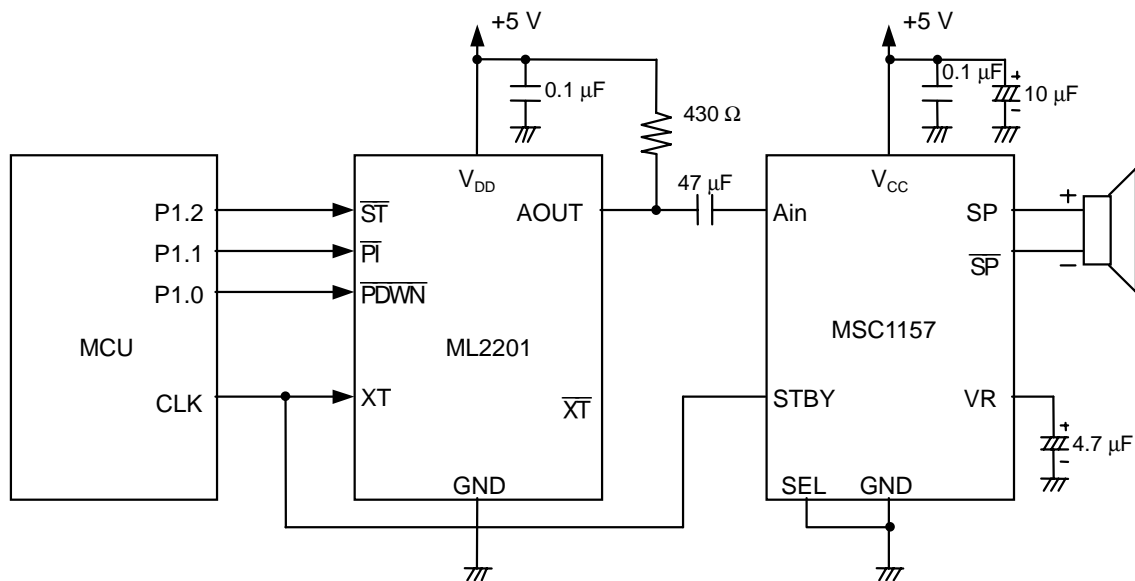
Sampling Frequency (kHz) (f_{SAM})	Cut-Off Frequency (kHz) (f_{CUT})
4.0	1.2
5.3	1.6
6.4	2.0
8.0	2.5
10.6	3.2
12.8	4.0
16.0	5.0

CONNECTING ML2201 TO A SPEAKER DRIVER

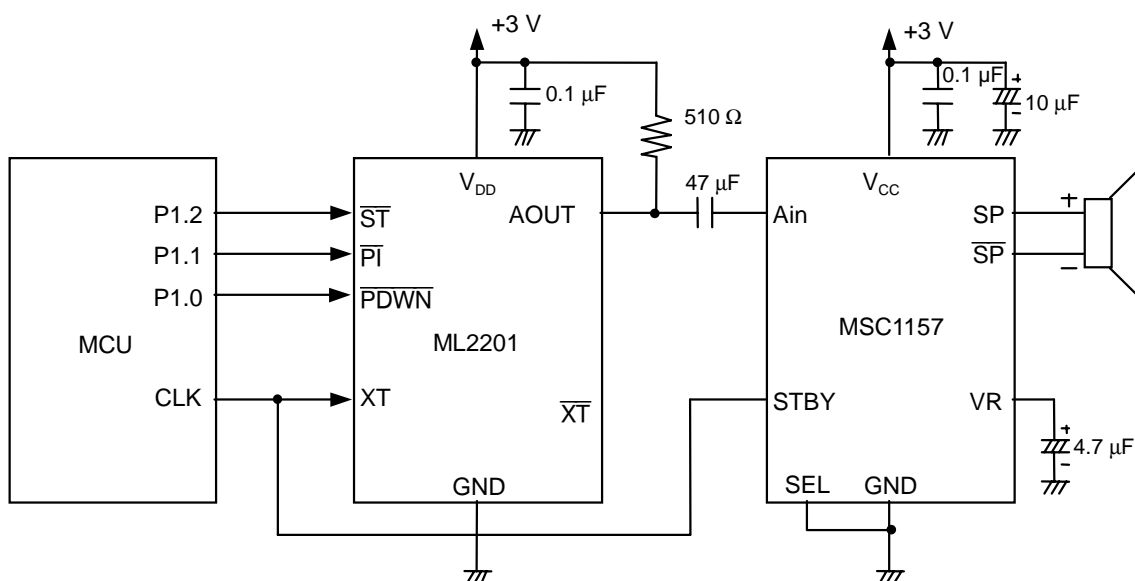
ML2201 uses a D/A converter of current-output type.

To connect ML2201 to a voltage-input type speaker driver, you should convert “Changes in Current” output to “Changes in Voltage” signal. The following samples show connections of ML2201 and MSC1157 (OKI Speaker Driver Amplifier) using a resistor (RL) for conversion.

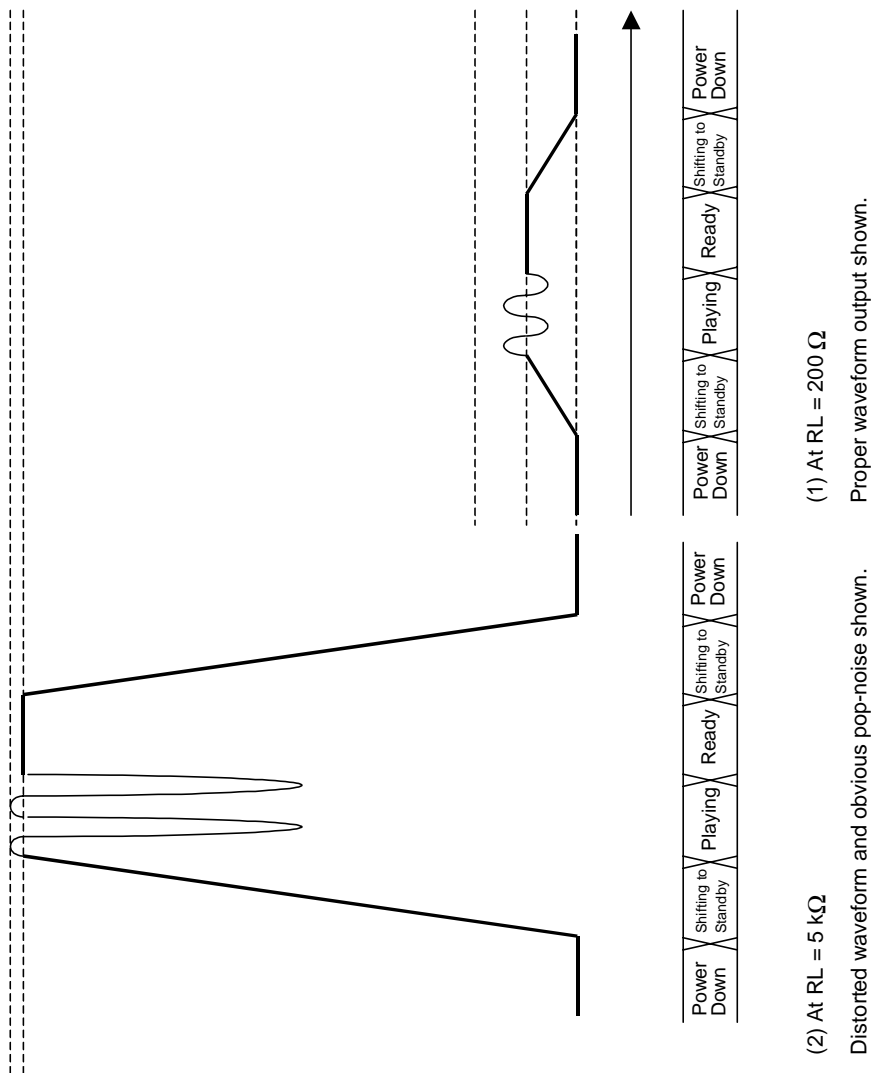
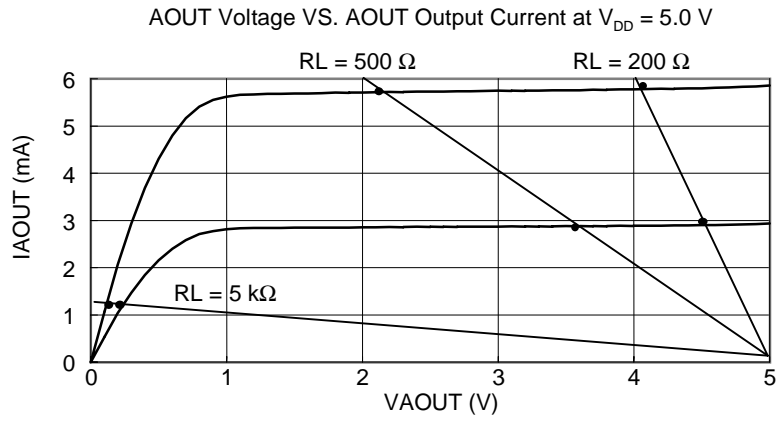
SAMPLE CIRCUIT 1: AT $V_{DD} = 5.0\text{ V}$, MSC1157'S A_{in} AMPLIFICATION = 2.5 V_{P-P}



SAMPLE CIRCUIT 2: AT $V_{DD} = 3.0\text{ V}$, MSC1157'S A_{in} AMPLIFICATION = 1.5 V_{P-P}

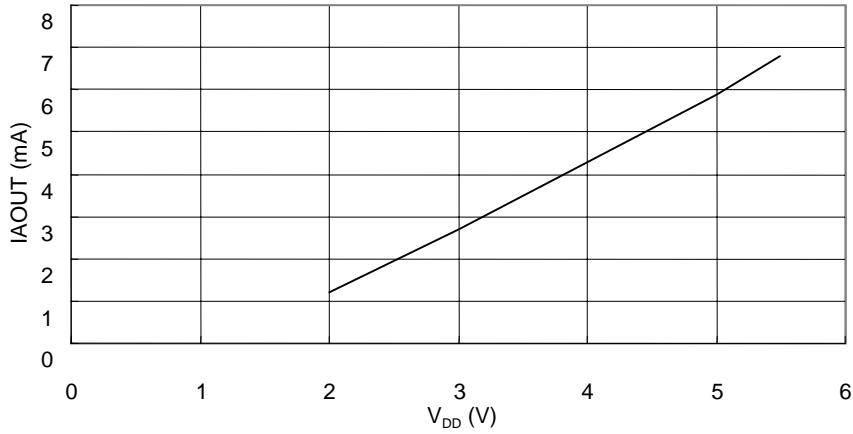


Co-relationship between output voltage and the value of a resistor for current-voltage conversion is shown in the figure below. You may want to use the figure as a reference in determining a proper value for the resistor.

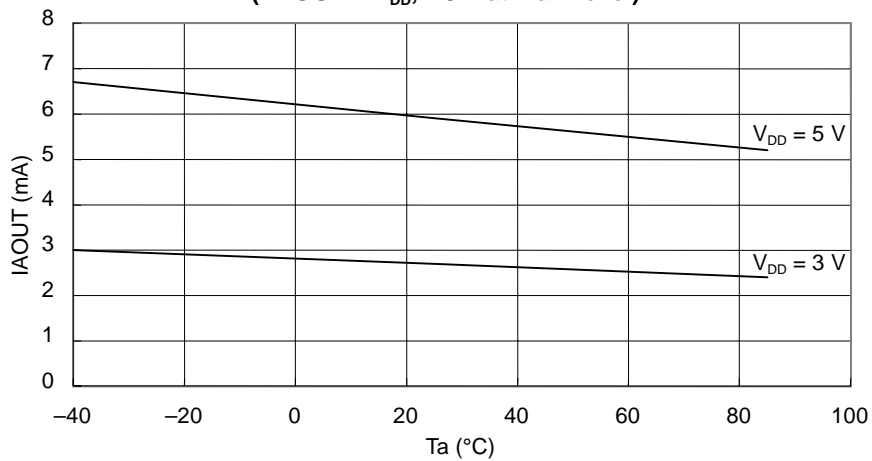


A SAMPLE CHARACTERISTICS OF D/A CONVERTER OUTPUT CURRENT

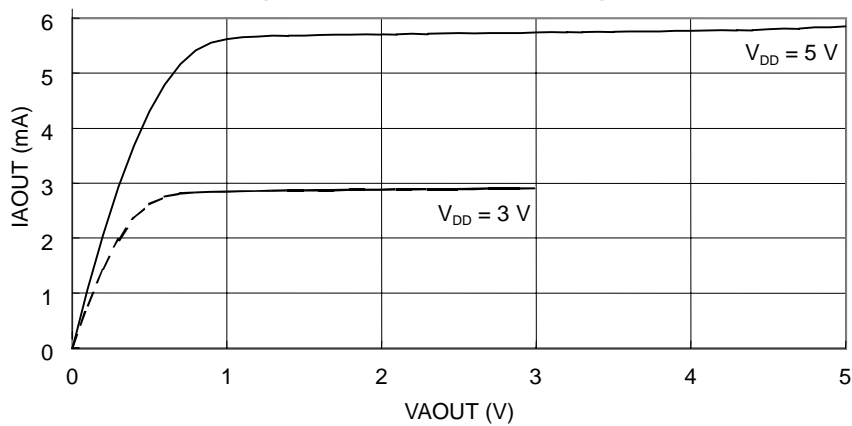
A Sample Characteristics : Power Supply Voltage VS. AOOUT Output Current
 (Ta = 25°C, VAOUT = V_{DD}, PCM at Max. level)



A Sample Characteristics : Operating Temperature VS. AOOUT Output Current
 (VAOUT = V_{DD}, PCM at Max. level)



A Sample Characteristics: Voltage on AOOUT Pin VS. AOOUT Output Current
 (Ta = 25°C, PCM at Max. level)



NOTES ON USAGE

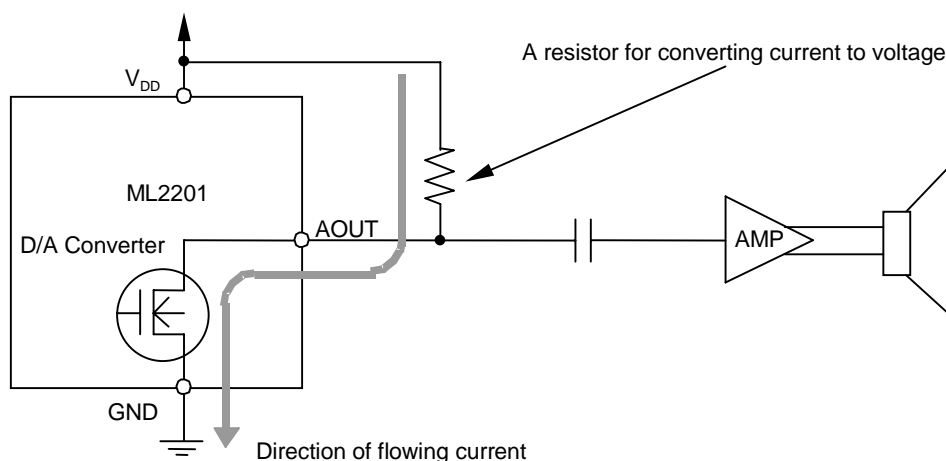
Type of the Built-in D/A Converter

ML2201 has the built-in current-output type D/A converter and thus the design of analog output circuit is different from the one with a voltage-output type D/A converter (e.g. MSM6650 family).

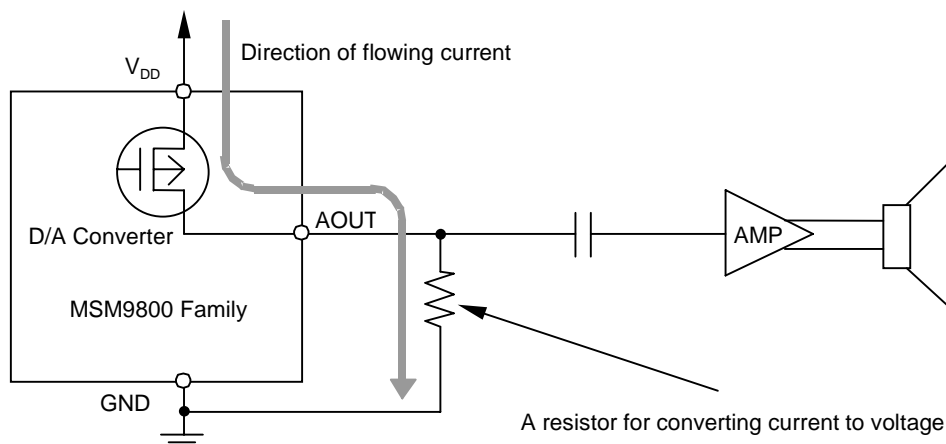
ML2201's D/A converter is designed as current attraction type with the same circuit configuration with the one used on MSM9831. So, the analog output circuit is different from MSM9800 family that uses a current discharge type D/A converter. (See the table below)

Product	D/A Converter Type	D/A Converter Output Circuit
ML2201	Current Output	N-MOS Open Drain
MSM9831	Current Output	N-MOS Open Drain
MSM9800 Family	Current Output	P-MOS Open Drain
MSM6650 Family	Voltage Output	—

A sample circuit of connecting ML2201 and an amplifier chip

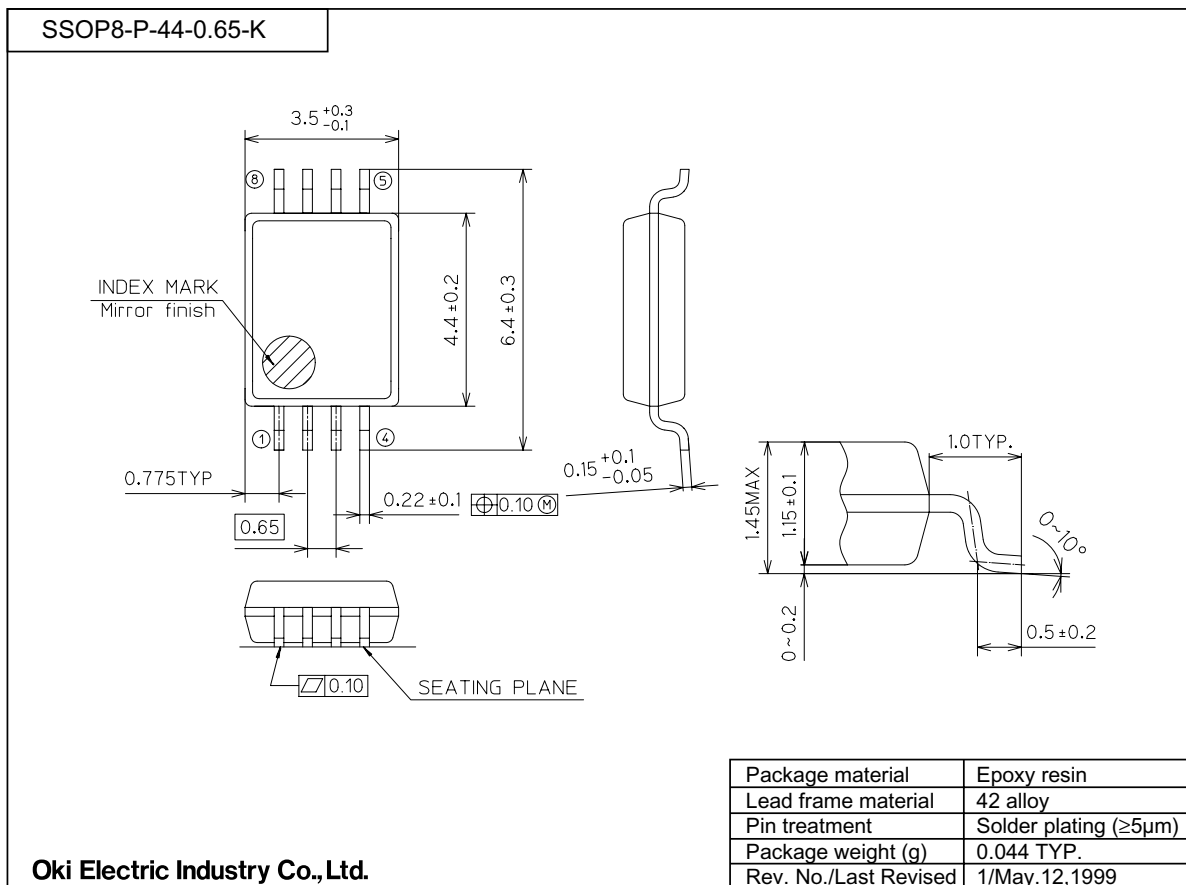


A sample circuit of connecting MSM9800 family and an amplifier chip



PACKAGE DIMENSIONS

(Unit: mm)



Notes for Mounting the Surface Mount Type Packages

The surface mount type packages are very susceptible to heat in reflow mounting and humidity absorbed in storage.

Therefore, before you perform reflow mounting, contact Oki's responsible sales person on the product name, package name, pin number, package code and desired mounting conditions (reflow method, temperature and times).

NOTICE

1. The information contained herein can change without notice owing to product and/or technical improvements. Before using the product, please make sure that the information being referred to is up-to-date.
2. The outline of action and examples for application circuits described herein have been chosen as an explanation for the standard action and performance of the product. When planning to use the product, please ensure that the external conditions are reflected in the actual circuit, assembly, and program designs.
3. When designing your product, please use our product below the specified maximum ratings and within the specified operating ranges including, but not limited to, operating voltage, power dissipation, and operating temperature.
4. Oki assumes no responsibility or liability whatsoever for any failure or unusual or unexpected operation resulting from misuse, neglect, improper installation, repair, alteration or accident, improper handling, or unusual physical or electrical stress including, but not limited to, exposure to parameters beyond the specified maximum ratings or operation outside the specified operating range.
5. Neither indemnity against nor license of a third party's industrial and intellectual property right, etc. is granted by us in connection with the use of the product and/or the information and drawings contained herein. No responsibility is assumed by us for any infringement of a third party's right which may result from the use thereof.
6. The products listed in this document are intended for use in general electronics equipment for commercial applications (e.g., office automation, communication equipment, measurement equipment, consumer electronics, etc.). These products are not authorized for use in any system or application that requires special or enhanced quality and reliability characteristics nor in any system or application where the failure of such system or application may result in the loss or damage of property, or death or injury to humans. Such applications include, but are not limited to, traffic and automotive equipment, safety devices, aerospace equipment, nuclear power control, medical equipment, and life-support systems.
7. Certain products in this document may need government approval before they can be exported to particular countries. The purchaser assumes the responsibility of determining the legality of export of these products and will take appropriate and necessary steps at their own expense for these.
8. No part of the contents contained herein may be reprinted or reproduced without our prior permission.

Copyright 2000 Oki Electric Industry Co., Ltd.