

MSM7508B/7509B**Single Rail CODEC****GENERAL DESCRIPTION**

The MSM7508B and MSM7509B are single-channel CODEC CMOS ICs for voice signals ranging from 300 to 3400 Hz. These devices contain filters for A/D and D/A conversion.

Designed especially for a single-power supply and low-power applications, these devices are optimized for telephone terminals in ISDN and digital wireless systems.

The MSM7508B/MSM7509B are the transmission-clocks extended versions of the MSM7508/MSM7509. It is recommended to use the MSM7508/MSM7509 for the transmission clocks of 64, 128, 256kHz.

FEATURES

- Single power supply: +5 V \pm 5%
- Low power consumption

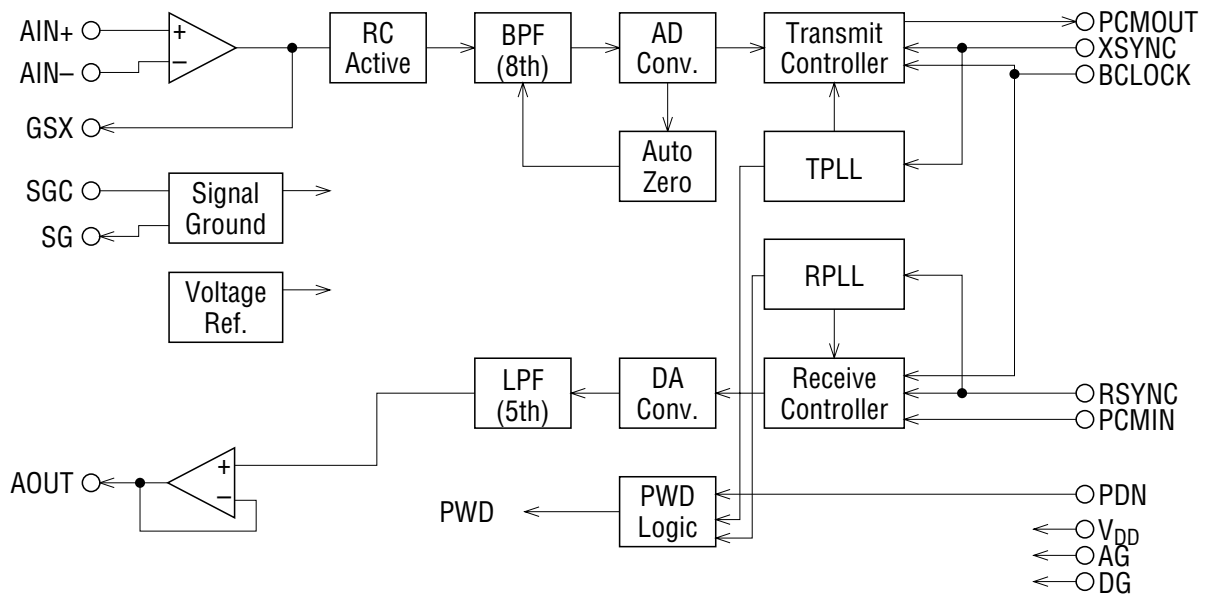
Operating mode:	17.5 mW Typ.	37 mW Max.
Power down mode:	1.5 mW Typ.	3 mW Max.
- ITU-T Companding law

MSM7508B:	μ -law
MSM7509B:	A-law
- Built-in PLL eliminates a master clock
- Transmission clock: 64/128/256/512/1024/2048 kHz
96/192/384/768/1536/1544/200 kHz
- Adjustable transmit gain
- Built-in reference voltage supply
- Package options:

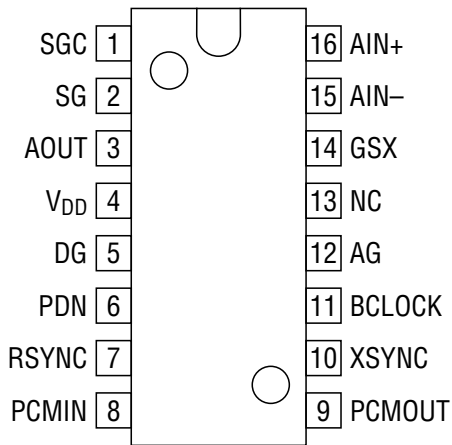
16-pin plastic DIP (DIP16-P-300-2.54-W1)	(Product name : MSM7508BRS)
	(Product name : MSM7509BRS)
24-pin plastic SOP (SOP24-P-430-1.27-K)	(Product name : MSM7508BGS-K)
	(Product name : MSM7509BGS-K)
28-pin plastic QFJ (PLCC) (QFJ28-P-S450-1.27)	(Product name : MSM7508BJS)
	(Product name : MSM7509BJS)

Note: The product names are indicated in PIN CONFIGURATION.

BLOCK DIAGRAM

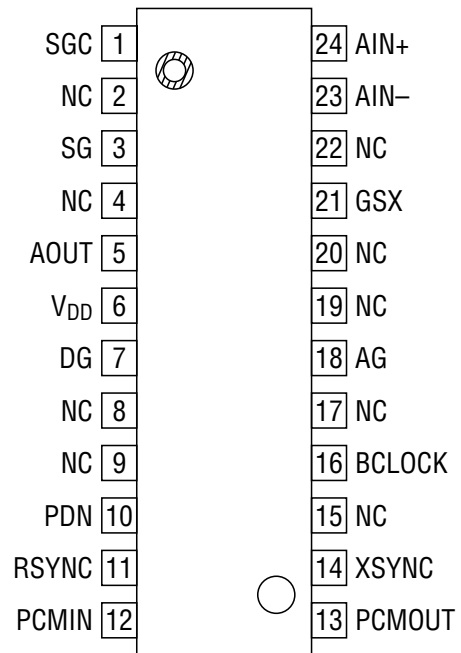


PIN CONFIGURATION (TOP VIEW)



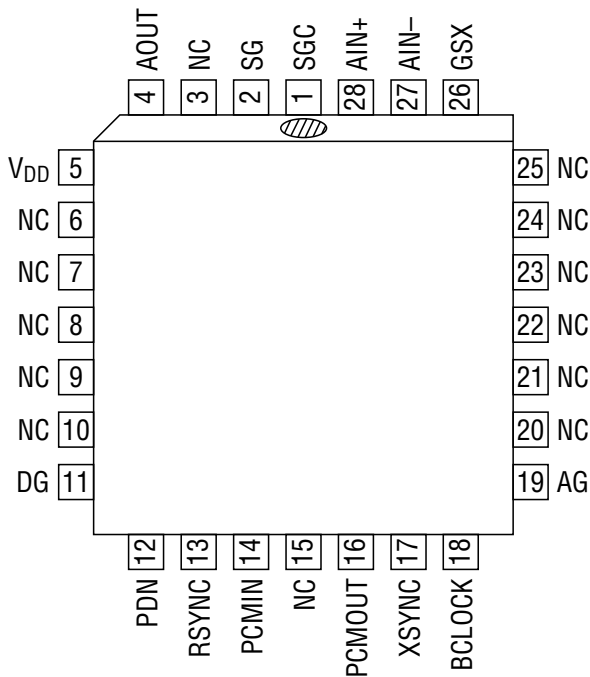
NC : No connect pin

16-Pin Plastic DIP



NC : No connect pin

24-Pin Plastic SOP



NC : No connect pin

28-Pin Plastic QFJ (PLCC)

PIN AND FUNCTIONAL DESCRIPTIONS

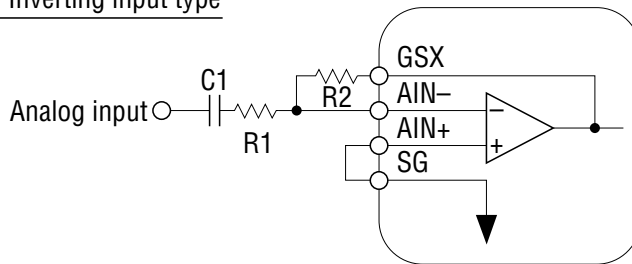
AIN+, AIN-, GSX

Transmit analog input and transmit level adjustment.

AIN+ is a non-inverting input to the op-amp; AIN- is an inverting input to the op-amp; GSX is connected to the output of the op-amp and is used to adjust the level, as shown below.

When not using AIN- and AIN+, connect AIN- to GSX and AIN+ to SG. During power saving and power down modes, the GSX output is in a high impedance state.

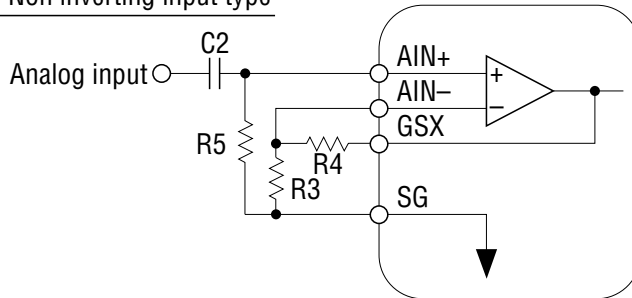
1) Inverting input type



R1 : variable
 R2 > 20 kΩ
 $C1 > 1/(2 \times 3.14 \times 30 \times R1)$

Gain = $R2/R1 \leq 10$

2) Non inverting input type



R3 > 20 kΩ
 R4 > 20 kΩ
 R5 > 50 kΩ
 $C2 > 1/(2 \times 3.14 \times 30 \times R5)$

Gain = $1 + R4 / R3 \leq 10$

AG

Analog signal ground.

AOUT

Analog output.

The output signal amplitude is a maximum of 2.4 V_{PP} above and below the signal ground voltage level (V_{DD}/2).

The output load resistance is a minimum of 20 kΩ.

During power saving or power down mode, the output of AOUT is at the voltage level of signal ground.

V_{DD}

Power supply for +5 V.

PCMIN

PCM signal input.

A serial PCM signal input to this pin is converted to an analog signal in synchronization with the RSYNC signal and BCLOCK signal.

The data rate of the PCM signal is equal to the frequency of the BCLOCK signal.

The PCM signal is shifted at a falling edge of the BCLOCK signal and latched into the internal register when shifted by eight bits.

The start of the PCM data (MSD) is identified at the rising edge of RSYNC.

BCLOCK

Shift clock signal input for the PCMIN and PCMOUT signal.

The frequency, equal to the data rate, is 64, 96, 128, 192, 256, 384, 512, 768, 1024, 1536, 1544, or 2048 kHz. Setting this signal to logic "1" or "0" drives both transmit and receive circuits to the power saving state.

RSYNC

Receive synchronizing signal input.

Eight required bits are selected from serial PCM signals on the PCMIN pin by the receive synchronizing signal.

Signals in the receive section are synchronized by this synchronizing signal. This signal must be synchronized in phase with the BCLOCK. The frequency should be 8 kHz \pm 50 ppm to guarantee the AC characteristics which are mainly frequency characteristics of the receive section.

However, if the frequency characteristic of an applied system is not specified exactly, this device can operate in the range of 8 to 10 kHz, but the electrical characteristics in this specification are not guaranteed. Setting this signal to logic "1" or "0" drives both transmit and receive circuits to the power saving state.

XSYNC

Transmit synchronizing signal input.

The PCM output signal from the PCMOUT pin is output in synchronization with this transmit synchronizing signal. This synchronizing signal triggers the PLL and synchronizes all timing signals of the transmit section.

This synchronizing signal must be synchronized in phase with BCLOCK.

The frequency should be 8 kHz \pm 50 ppm to guarantee the AC characteristics which are mainly frequency characteristics of the transmit section.

However, if the frequency characteristic of an applied system is not specified exactly, this device can operate in the range of 8 to 10 kHz, but the electrical characteristics in this specification are not guaranteed.

Setting this signal to logic "1" or "0" drives both transmit and receive circuits to the power saving state.

DG

Ground for the digital signal circuits.

This ground is separate from the analog signal ground. The DG pin must be connected to the AG pin on the printed circuit board to make a common analog ground.

PDN

Power down control signal.

A logic "0" level drives both transmit and receive circuits to a power down state.

PCMOUT

PCM signal output.

The PCM output signal is output from MSD in a sequential order, synchronizing with the rising edge of the BCLOCK signal.

MSD may be output at the rising edge of the XSYNC signal, based on the timing between BCLOCK and XSYNC.

This pin is in a high impedance state except during 8-bit PCM output. It is also in a high impedance state during power saving or power down modes.

A pull-up resistor must be connected to this pin because its output is configured as an open drain. This device is compatible with the ITU-T recommendation on coding law and output coding format.

The MSM7509B (A-law) outputs the character signal, inverting the even bits.

Input/Output Level	PCMIN/PCMOUT															
	MSM7508B (μ -law)				MSM7509B (A-law)											
	MSD				MSD											
+Full scale	1	0	0	0	0	0	0	0	1	0	1	0	1	0	1	0
+0	1	1	1	1	1	1	1	1	1	1	0	1	0	1	0	1
-0	0	1	1	1	1	1	1	1	0	1	0	1	0	1	0	1
-Full scale	0	0	0	0	0	0	0	0	0	0	1	0	1	0	1	0

SG

Signal ground voltage output.

The output voltage is 1/2 of the power supply voltage.

The output drive current capability is $\pm 300 \mu\text{A}$.

This pin provides the SG level for CODEC peripherals.

This output voltage level is undefined during power saving or power down modes.

SGC

Used to generate the signal ground voltage level by connecting a bypass capacitor.

Connect a $0.1 \mu\text{F}$ capacitor with excellent high frequency characteristics between the AG pin and the SGC pin.

ABSOLUTE MAXIMUM RATINGS

Parameter	Symbol	Condition	Rating	Unit
Power Supply Voltage	V_{DD}	—	0 to 7	V
Analog Input Voltage	V_{AIN}	—	-0.3 to $V_{DD} + 0.3$	V
Digital Input Voltage	V_{DIN}	—	-0.3 to $V_{DD} + 0.3$	V
Storage Temperature	T_{STG}	—	-55 to +150	°C

RECOMMENDED OPERATING CONDITIONS

Parameter	Symbol	Condition	Min.	Typ.	Max.	Unit
Power Supply Voltage	V_{DD}	Voltage must be fixed	4.75	5.0	5.25	V
Operating Temperature	T_a	—	-10	+25	+70	°C
Analog Input Voltage	V_{AIN}	Connect AIN- and GSX	—	—	2.4	V_{PP}
Input High Voltage	V_{IH}	XSYNC, RSYNC, BCLOCK, PCMIN, PDN	2.2	—	V_{DD}	V
Input Low Voltage	V_{IL}		0	—	0.8	V
Clock Frequency	F_C	BCLOCK	64, 128, 256, 512, 1024, 2048, 96, 192, 384, 768, 1536, 1544, 200			kHz
Sync Pulse Frequency	F_S	XSYNC, RSYNC	7.0	8.0	10.0	kHz
Clock Duty Ratio	D_C	BCLOCK	40	50	60	%
Digital Input Rise Time	t_{r}	XSYNC, RSYNC, BCLOCK, PCMIN, PDN	—	—	50	ns
Digital Input Fall Time	t_{f}		—	—	50	ns
Transmit Sync Pulse Setting Time	t_{XS}	BCLOCK→XSYNC, See Timing Diagram	100	—	—	ns
	t_{SX}	XSYNC→BCLOCK, See Timing Diagram	100	—	—	ns
Receive Sync Pulse Setting Time	t_{RS}	BCLOCK→RSYNC, See Timing Diagram	100	—	—	ns
	t_{SR}	RSYNC→BCLOCK, See Timing Diagram	100	—	—	ns
Sync Pulse Width	t_{WS}	XSYNC, RSYNC	1 BCLK	—	100	μs
PCMIN Set-up Time	t_{DS}	—	100	—	—	ns
PCMIN Hold Time	t_{DH}	—	100	—	—	ns
Analog Output Load	R_{AL}	AOUT	20	—	—	kΩ
		GSX	20	—	—	kΩ
	C_{AL}	AOUT, GSX	—	—	100	pF
Digital Output Load	R_{DL}	Pull-up resistor	0.5	—	—	kΩ
	C_{DL}	—	—	—	100	pF
Analog Input Allowable DC Offset	V_{off}	Transmit gain stage, Gain = 1	-100	—	+100	mV
		Transmit gain stage, Gain = 10	-10	—	+10	mV
Allowable Jitter Width	—	XSYNC, RSYNC, BCLOCK	—	—	500	ns

ELECTRICAL CHARACTERISTICS

DC and Digital Interface Characteristics

($V_{DD} = +5\text{ V} \pm 5\%$, $T_a = -10^\circ\text{C}$ to $+70^\circ\text{C}$)

Parameter	Symbol	Condition	Min.	Typ.	Max.	Unit
Power Supply Current	I_{DD1}	Operating mode	—	3.5	7.0	mA
	I_{DD2}	Power-down mode, PDN = 0	—	0.3	0.5	mA
	I_{DD3}	Power-save mode, PDN = 1, SYNC → OFF	—	0.8	1.2	mA
Input High Voltage	V_{IH}	—	2.2	—	V_{DD}	V
Input Low Voltage	V_{IL}	—	0.0	—	0.8	V
High Level Input Leakage Current	I_{IH}	—	—	—	2.0	μA
Low Level Input Leakage Current	I_{IL}	—	—	—	0.5	μA
Digital Output Low Voltage	V_{OL}	Pull-up resistance $> 500\ \Omega$	0.0	0.2	0.4	V
Digital Output Leakage Current	I_O	—	—	—	10	μA
Analog Output Offset Voltage	V_{OFF}	AOUT with respect to SG	-100	—	+100	mV
Input Capacitance	C_{IN}	—	—	5	—	pF
Analog Input Resistance	R_{IN}	AIN+, AIN-	—	10	—	$\text{M}\Omega$

AC Characteristics

(V_{DD} = +5 V ±5%, T_a = -10°C to +70°C)

Parameter	Symbol	Freq. (Hz)	Level (dBm0)	Condition	Min.	Typ.	Max.	Unit
Transmit Frequency Response	Loss T1	60	0		20	26	—	dB
	Loss T2	300			-0.15	+0.07	+0.20	dB
	Loss T3	1020			Reference			dB
	Loss T4	2020			-0.15	-0.04	+0.20	dB
	Loss T5	3000			-0.15	+0.06	+0.20	dB
	Loss T6	3400			0	0.40	0.80	dB
Receive Frequency Response	Loss R1	300	0		-0.15	-0.03	+0.20	dB
	Loss R2	1020			Reference			dB
	Loss R3	2020			-0.15	-0.02	+0.20	dB
	Loss R4	3000			-0.15	+0.15	+0.20	dB
	Loss R5	3400			0.0	0.56	0.80	dB
Transmit Signal to Distortion Ratio	SD T1	1020	3		35	43	—	dB
	SD T2		0		35	41	—	
	SD T3		-30		35	38	—	
	SD T4		-40		28	30.0	—	
	SD T5		-45			29.5		
Receive Signal to Distortion Ratio	SD R1	1020	3		36	43	—	dB
	SD R2		0		36	41	—	
	SD R3		-30		36	40	—	
	SD R4		-40		30	33.5	—	
	SD R5		-45			32		
	SD R1		3		25	30	—	
SD R2	0	24.5						
SD R3	-30	24	27	—				
Transmit Gain Tracking	GT T1	1020	3		-0.2	+0.01	+0.2	dB
	GT T2		-10		Reference			
	GT T3		-40		-0.2	0.0	+0.2	
	GT T4		-50		-0.4	-0.03	+0.4	
	GT T5		-55		-1.2	+0.15	+1.2	
Receive Gain Tracking	GT R1	1020	3		-0.2	0	+0.2	dB
	GT R2		-10		Reference			
	GT R3		-40		-0.2	-0.06	+0.2	
	GT R4		-50		-0.4	-0.20	+0.4	
	GT R5		-55		-0.8	-0.27	+0.8	

*1 Psophometric filter is used

*2 Upper is specified for the MSM7508B, lower for the MSM7509B

AC Characteristics (Continued)

(V_{DD} = +5 V ±5%, T_a = -10°C to +70°C)

Parameter	Symbol	Freq. (Hz)	Level (dBm0)	Condition	Min.	Typ.	Max.	Unit
Idle Channel Noise	Nidle T	—	—	A _{IN} = SG *1 *2	—	-72.5	-70	dBm _{0p}
						-70.5	-69	
	Nidle R	—	—	*2 *3	—	-76.5	-74	
Absolute Level (Initial Difference)	AV T	1020	0		0.5671	0.6007	0.6363	V _{rms}
	AV R				0.5671	0.6007	0.6363	
Absolute Delay	T _d	1020	0	A to A BCLOCK = 64 kHz	—	—	0.60	ms
Transmit Group Delay	tgd T1	500	0	*4	—	0.19	0.75	ms
	tgd T2	600			—	0.11	0.35	
	tgd T3	1000			—	0.02	0.125	
	tgd T4	2600			—	0.05	0.125	
	tgd T5	2800			—	0.07	0.75	
Receive Group Delay	tgd R1	500	0	*4	—	0.00	0.75	ms
	tgd R2	600			—	0.00	0.35	
	tgd R3	1000			—	0.00	0.125	
	tgd R4	2600			—	0.09	0.125	
	tgd R5	2800			—	0.12	0.75	
Crosstalk Attenuation	CR T	1020	0	TRANS → RECV	75	85	—	dB
	CR R			RECV → TRANS	70	77	—	

*1 Psophometric filter is used

*2 Upper is specified for the MSM7508B, lower for the MSM7509B

*3 MSM7508B: All "0" code to PCMIN, MSM7509B: "11010101" to PCMIN

*4 Minimum value of the group delay distortion

AC Characteristics (Continued)

($V_{DD} = +5\text{ V} \pm 5\%$, $T_a = -10^\circ\text{C}$ to $+70^\circ\text{C}$)

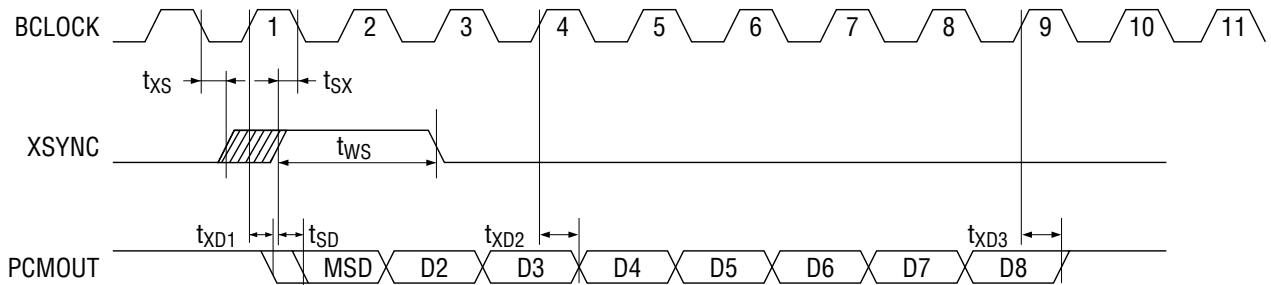
Parameter	Symbol	Freq. (Hz)	Level (dBm0)	Condition	Min.	Typ.	Max.	Unit
Discrimination	DIS	4.6 kHz to 72 kHz	0	0 to 4000 Hz	30	32	—	dB
Out-of-band Spurious	S	300 to 3400	0	4.6 kHz to 100 kHz	—	-37.5	-35	dBm0
Intermodulation Distortion	IMD	fa = 470 fb = 320	-4	2fa - fb	—	-52	-35	dBm0
Power Supply Noise Rejection Ratio	PSR T	0 kHz to	50 mV _{PP}	*5	—	30	—	dB
	PSR R	50 kHz						
Digital Output Delay Time	t _{SD}	C _L = 100 pF + 1 LSTTL			50	—	200	ns
	t _{xD1}				50	—	200	
	t _{xD2}				50	—	200	
	t _{xD3}				50	—	200	

*5 The measurement under idle channel noise

TIMING DIAGRAM

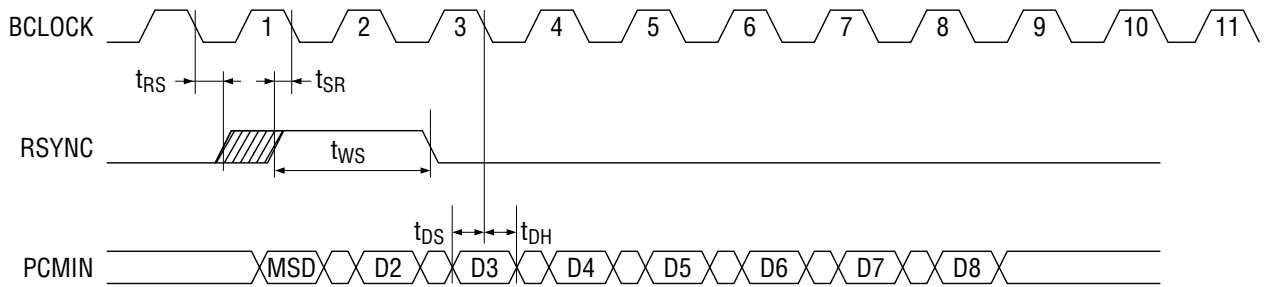
PCM Data Input/Output Timing

Transmit Timing

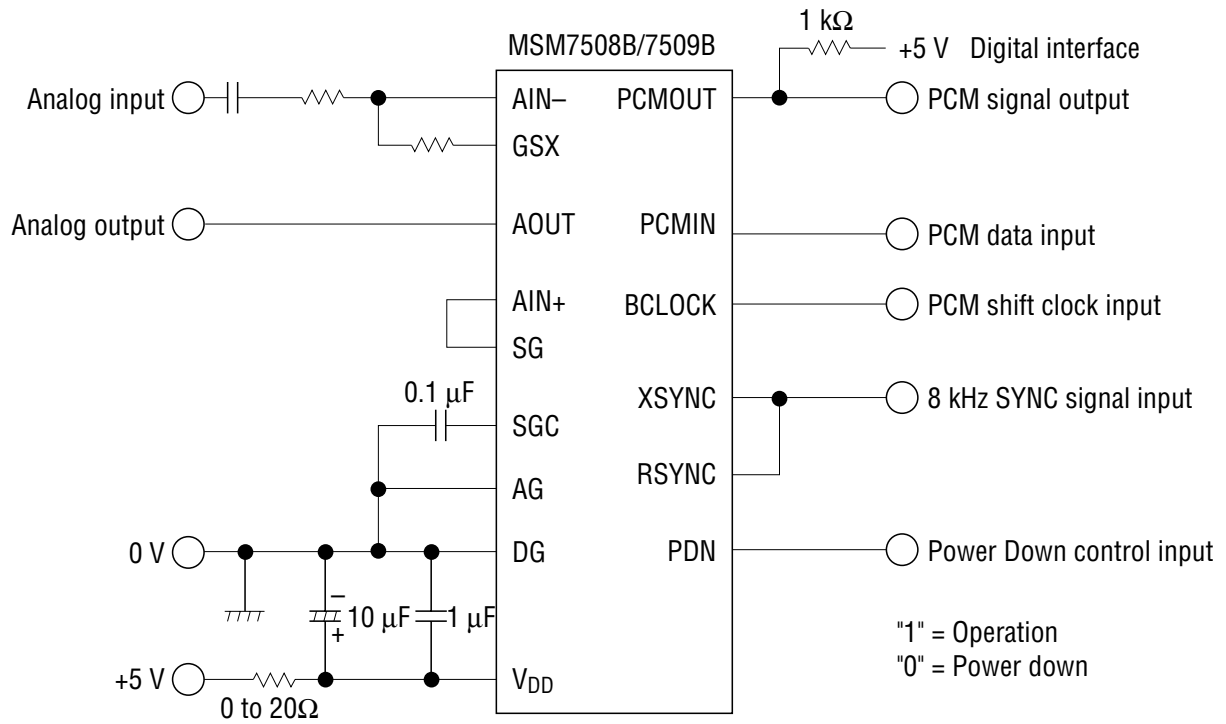


When $t_{XS} \leq 1/2 \cdot F_c$, the Delay of the MSD bit is defined as t_{XD1} .
 When $t_{SX} \leq 1/2 \cdot F_c$, the Delay of the MSD bit is defined as t_{SD} .

Receive Timing



APPLICATION CIRCUIT

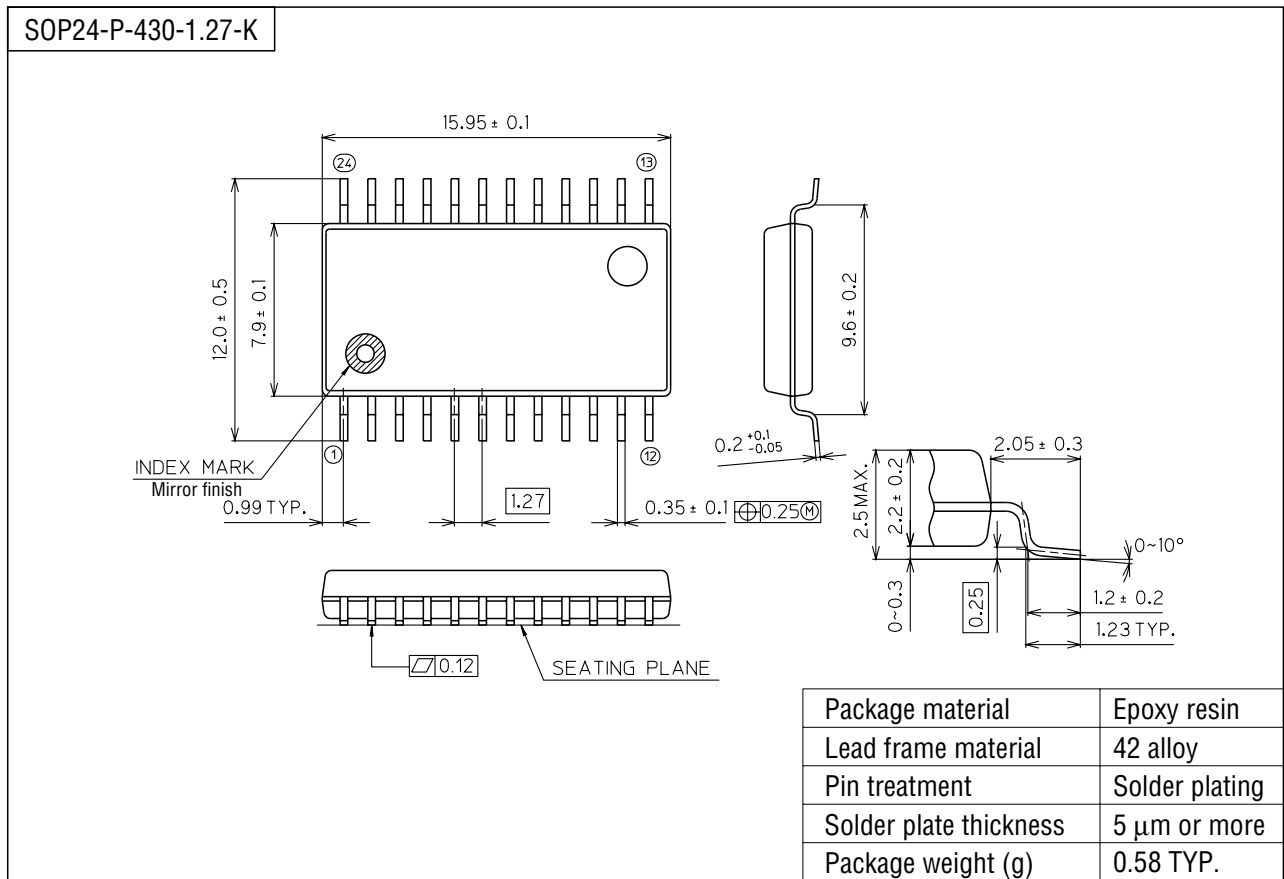


The analog output signal has an amplitude of ± 1.2 V above and below the offset voltage level of $V_{DD}/2$.

RECOMMENDATIONS FOR ACTUAL DESIGN

- To assure proper electrical characteristics, use bypass capacitors with excellent high frequency characteristics for the power supply and keep them as close as possible to the device pins.
- Connect the AG pin and the DG pin each other as close as possible. Connect to the system ground with low impedance.
- Mount the device directly on the board when mounted on PCBs. Do not use IC sockets. If an IC socket is unavoidable, use the short lead type socket.
- When mounted on a frame, use electro-magnetic shielding, if any electro-magnetic wave source such as power supply transformers surround the device.
- Keep the voltage on the V_{DD} pin not lower than -0.3 V even instantaneously to avoid latch-up phenomenon when turning the power on.
- Use a low noise (particularly, low level type of high frequency spike noise or pulse noise) power supply to avoid erroneous operation and the degradation of the characteristics of these devices.

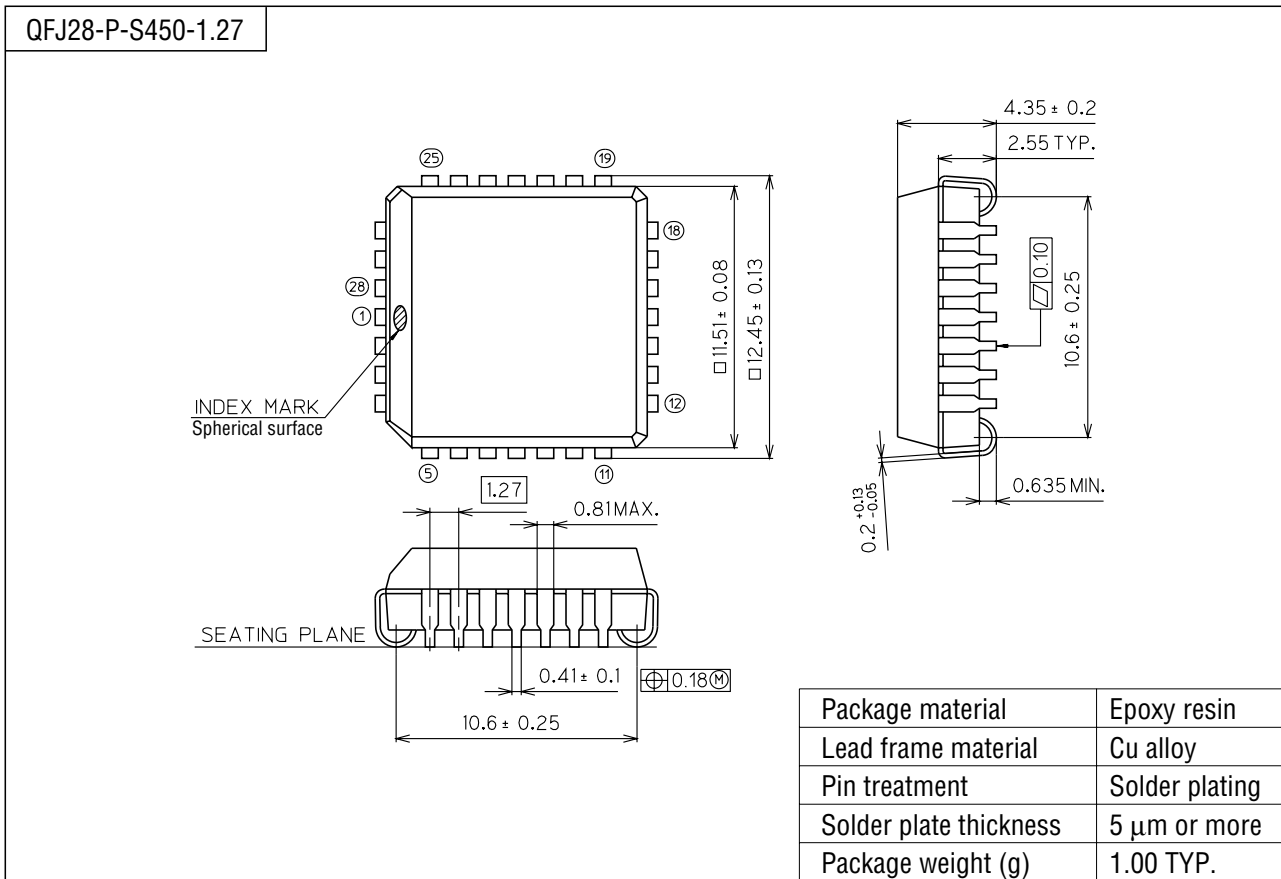
(Unit : mm)



Notes for Mounting the Surface Mount Type Package

The SOP, QFP, TSOP, SOJ, QFJ (PLCC), SHP and BGA are surface mount type packages, which are very susceptible to heat in reflow mounting and humidity absorbed in storage. Therefore, before you perform reflow mounting, contact Oki's responsible sales person for the product name, package name, pin number, package code and desired mounting conditions (reflow method, temperature and times).

(Unit : mm)



Notes for Mounting the Surface Mount Type Package

The SOP, QFP, TSOP, SOJ, QFJ (PLCC), SHP and BGA are surface mount type packages, which are very susceptible to heat in reflow mounting and humidity absorbed in storage. Therefore, before you perform reflow mounting, contact Oki's responsible sales person for the product name, package name, pin number, package code and desired mounting conditions (reflow method, temperature and times).