

OKI electronic components

OL595N-20/P20, OL595N-40/P20, OL595N-60/P20

1.55 μm High-Power Laser-Diode Coaxial Module

GENERAL DESCRIPTION

The OL595N-20/P20, OL595N-40/P20, and OL595N-60/P20 are extremely high-power MQW structured 1.55 μm laser-diode coaxial modules with single-mode fiber pigtailed. These modules are optimal light sources for optical measuring instruments and other systems that require high power.

FEATURES

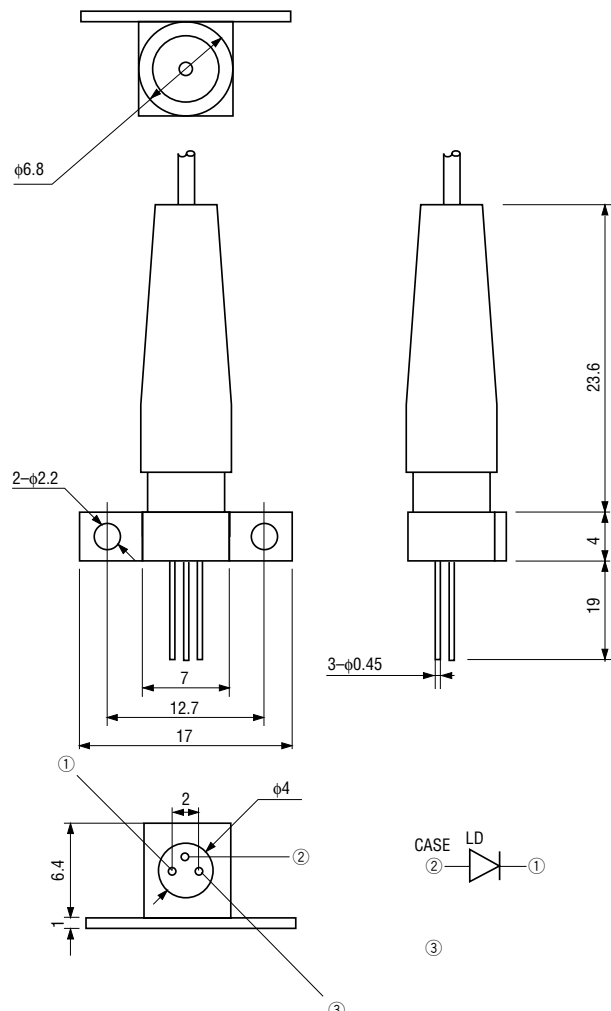
- High output power: $P_f=20$ mW (Pulse), 40 mW (Pulse), 60 mW (Pulse)
- Single-mode fiber
- Multi-quantum-well (MQW) structure

APPLICATIONS

- Optical measuring instruments
- OTDRs

PACKAGE DIMENSIONS (Unit: mm)

- OL595N-20/P20, OL595N-40/P20, OL595N-60/P20



ABSOLUTE MAXIMUM RATINGS

Parameter	Symbol	Test Conditions	Ratings		Unit
Fiber Output Power	Pf	Ta=25°C	OL595N-20/P20	30	mW
			OL595N-40/P20	48	
			OL595N-60/P20	70	
LD Reverse Voltage	VR (LD)		2		V
Operating Temperature	Topr	—	-20 to +60		°C
Storage Temperature	Tstg	—	-40 to +85		°C

OPTICAL AND ELECTRICAL CHARACTERISTICS

Parameter	Symbol	Test Conditions	Min.	Typ.	Max.	Unit
Threshold Current	Ith	—	—	—	75	mA
Center Wavelength	λc	—	1530	1550	1570	nm
Spectral Width	σ	RMS	—	—	10	nm

Optical Output Power (Pf)

Model	Test Conditions	Min.	Typ.	Max.	Unit
OL595N-20/P20	IF=500 mA (Pulse*)	20	—	—	mW
OL595N-40/P20	IF=750 mA (Pulse*)	40	—	—	mW
OL595N-60/P20	IF=800 mA (Pulse*)	60	—	—	mW

*Pulse Condition : Width 10 μs, duty ratio : 1%

TYPICAL CHARACTERISTIC

● OL595N-60/P20

Fiber Output Power vs. Forward Current

