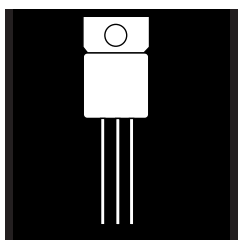


COM5201T COM5203T COM5217T COM5234T  
 COM5202T COM5216T COM5233T

## (COTS) COMMERCIAL OFF-THE-SHELF, HIGH EFFICIENCY, CENTER-TAP RECTIFIERS, TO-257



16 Amp, 50 To 600 Volts, 35 To 60 ns trr

### FEATURES

- Very Low Forward Voltage
- Very Fast Recovery Time
- Hermetic Metal Package, JEDEC TO-257AA Outline
- Low Thermal Resistance
- Isolated Package
- High Surge
- Standard Off-The-Shelf

### DESCRIPTION

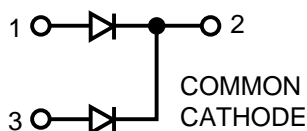
This series of products in a hermetic package is specifically designed for use at power switching frequencies in excess of 100 kHz. The series combines two high efficiency devices into one package, simplifying installation, reducing heat sink hardware, and the need to obtain matched components. These devices are ideally suited for Hi-Rel applications where small size and a hermetically sealed package is required. Common cathode is standard.

### ABSOLUTE MAXIMUM RATINGS (Per Diode) @ 25°C

Peak Inverse Voltage..... 50 to 600  
 V Maximum Average D.C. Output Current @  $T_C = 100^\circ\text{C}$ .....  
 8A Surge Current (Non-Repetitive 8.3 msec).....  
 60A Operating and Storage Temperature Range.....  $-55^\circ\text{C}$  to  $+150^\circ\text{C}$

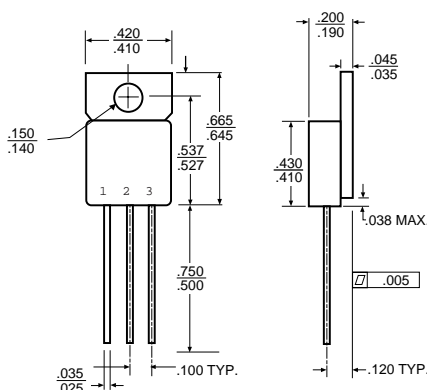
32

S C H E M A T I C



Common cathode is standard.  
 Standard products are supplied with glass feedthroughs.

M E C H A N I C A L O U T L I N E

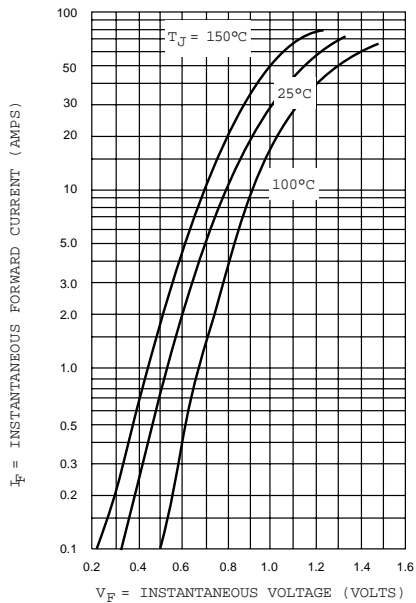


ELECTRICAL CHARACTERISTICS (Per Diode)

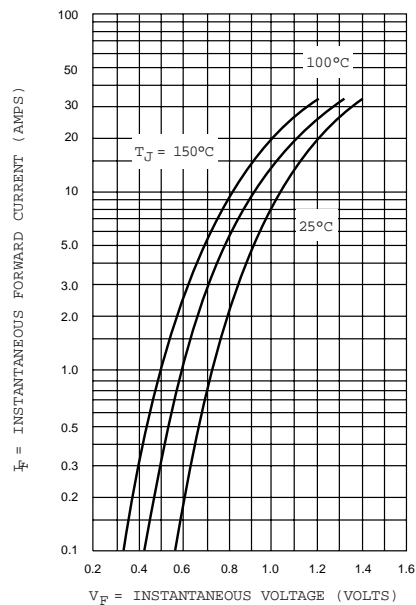
Type	PIV	Maximum Forward Voltage (Volts) @ (1)		Maximum Reverse Current @ PIV		Maximum Reverse Recovery Time (2)	Maximum Thermal Resist. $R_{\theta JC}$
		$T_j = 25^\circ C$	$T_j = 100^\circ C$	$T_j = 25^\circ C$	$T_j = 100^\circ C$		
COM5201T	50	1.3V @ 8A	.975V @ 8A	10 $\mu A$	500 $\mu A$	35 nsec	2.5
COM5202T	100						
COM5203T	150						
COM5216T	200	1.55V @ 8A	1.25V @ 8A	20 $\mu A$	1.0 mA	60 nsec	2.5
COM5217T	300						
COM5233T	400						
COM5234T	600						

(1) Pulse Test : Pulse Width = 300 $\mu s$ , Duty Cycle 2.0%. (2) Measured in Circuit:  $I_F = 0.5 A$ ,  $I_R = 1.0 A$ ,  $I_{REC} = 0.25 A$

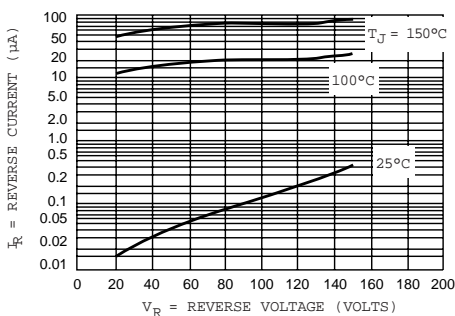
50 V TO 200 V  
TYPICAL FORWARD VOLTAGE  
COM5201, 5202, 5203, 5216



300 V TO 600 V  
TYPICAL FORWARD VOLTAGE  
COM5217, 5233, 5234



TYPICAL REVERSE CURRENT  
COM5201, 5202, 5203, 5216



TYPICAL REVERSE CURRENT  
COM5217, 5233, 5234

