

Antenna Switch Control

The MDC5101 inputs TxE and RxE Logic Signals with an accessory input termination option and, allows positive and negative control voltages in accordance with the enclosed truth table. This device is primarily intended to control GaAs RF switches. It is also designed to interface with most HCMOS MCUs such as the Motorola MC68338.

The MDC5101 is intended to replace a circuit of up to 18 discrete components and is available in a Micro-8 package. This device, in combination with a compatible RF switch, can be used to achieve duplex isolation in any Time Division Duplex Radio like GSM and DCS1800 with staggered Transmit Receive Time Slots. It can also be used to control an RF switch in dual band radio applications.

This integrated solution in a Micro-8 package compared with a discrete solution will add a great value in performance with less board space consumption.

Features

- Miniature Micro-8 Surface Mount Package Saves Board Space
- Logic Level Control
- Designed to Interface with Microcontrollers

MAXIMUM RATINGS

Rating	Symbol	Value	Unit
Positive Power Supply Voltage (1)	V _{CC}	15	Vdc
Negative Power Supply Voltage (2)	V _{EE}	-12	Vdc
Differential Power Supply Voltage	V _{CC} -V _{EE}	15	Vdc
Input Voltage (3)	V _{in}	V _{CC}	Vdc
Output Current (4)	I ₁ , I ₂	5.0	mAdc
Operating Temperature Range	T _A	-40 to +85	°C
Storage Temperature Range	T _{stg}	-55 to +150	°C
Junction Temperature	T _J	150	°C

THERMAL CHARACTERISTICS

Characteristic	Symbol	Value	Unit
Total Power Dissipation Derate above 25°C	P _D	510 4.0	mW mW/°C
Thermal Resistance, Junction to Ambient	R _{θJA}	245	°C/W

Note 1: Pin 1 Referenced to Ground

Note 2: Pin 6 Referenced to Ground

Note 3: Pin 3, 4 Referenced to Ground

Note 4: Pin 5, 7 Referenced to Ground

DEVICE MARKING

5101

ORDERING INFORMATION

MDC5101R2 13 inch Reel, 4000 units

ESD Rating

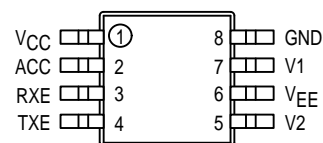
ESD protection on each pin to ±2500 V per MIL-STD6883 method 3015, using human body model of 100 pF, 1500 Ohms and using the machine model to ±200 V at 100 pF and 0 Ohms. Parts must meet electrical requirement after testing.

MDC5101

**ANTENNA
SWITCH
CONTROLLER**



**PLASTIC PACKAGE
CASE 846A-02
(Micro-8)**



(Top View)



MDC5101

ELECTRICAL CHARACTERISTICS ($V_{CC} = 2.75\text{ V}$, $V_{EE} = -5.0\text{ V}$, $T_A = T_{low}$ to T_{high} unless otherwise noted)

Characteristic	Symbol	Min	Typ	Max	Unit
----------------	--------	-----	-----	-----	------

DC PARAMETERS

Positive Power Supply Current V1, V2, ACC 10 k Ω to GND, RxE = V _{IH} , TxE = V _{IL}	I _{CC}	—	—	1.0	mA
Negative Power Supply Current V1, V2, ACC Open, RxE = V _{IL} , TxE = V _{IH}	I _{EE}	—	-50	—	μ A
Negative Power Supply Current V1, V2, ACC 10 k Ω to GND, RxE = V _{IL} , TxE = V _{IH}	I _{EE}	-1.5	—	—	mA
High Level Output Voltage I ₁ = I ₂ = 250 μ A, ACC Open RxE = V _{IL} , TxE = V _{IH} RxE = V _{IH} , TxE = V _{IL} I ₁ = I ₂ = 250 μ A, ACC 10 k Ω to GND RxE = V _{IL} , TxE = V _{IH} RxE = V _{IH} , TxE = V _{IL}	V _{OH} (V1) V _{OH} (V2) V _{OH} (V2) V _{OH} (V1)	V _{IH} -0.25 V _{IH} -0.25 V _{IH} -0.25 V _{IH} -0.25			V _{dc}
Low Level Output Voltage I ₁ = I ₂ = 250 μ A, ACC Open RxE = TxE = V _{IL} RxE = V _{IH} , TxE = V _{IL} I ₁ = I ₂ = 250 μ A, ACC 10 k Ω to GND RxE = TxE = V _{IL} RxE = V _{IH} , TxE = V _{IL}	V _{OL} (V1,V2) V _{OL} (V1) V _{OL} (V1,V2) V _{OL} (V2)	-0.5 -0.5 -0.5 -0.5	0 0 0 0	0.5 0.5 0.5 0.5	V _{dc}
Low Level Output Voltage I ₁ = I ₂ = 250 μ A, TxE = V _{IH} , RxE = V _{IL} ACC Open ACC 10 k Ω to GND	V _{OL} (V2) V _{OL} (V1)			-4.5 -4.5	V _{dc}

AC PARAMETERS

Propagation Delay RxE, TxE to V1, V2 ACC Open	t _{PLH} t _{PHL}	— —	— —	1.5 1.5	μ s
RxE, TxE to V1, V2 ACC 10 k Ω to GND	t _{PLH} t _{PHL}	— —	— —	1.5 1.5	
ACC to V1, V2	t _{PLH} t _{PHL}	— —	— —	5.0 5.0	

TRUTH TABLE

Input Logic			Output Logic		
RxE	TxE	ACC	V2	V1	
0	0	0	0	0	
0	0	1	0	0	
0	1	0	-5.0	2.7	
0	1	1	2.7	-5.0	
1	0	0	2.7	0	
1	0	1	0	2.7	
1	1	0	2.7	2.7	State not allowed in software
1	1	1	2.7	2.7	State not allowed in software

Note: ACC Logic Low = Open, ACC Logic High = 10 k Ω

Low Level Input Voltage RxE, TxE	V _{IL}	—	—	0.4	V _{dc}
High Level Input Voltage RxE, TxE	V _{IH}	2.5	—	—	
Maximum Voltage Differential	V _{CC} -V _{IH}	—	—	1.5	

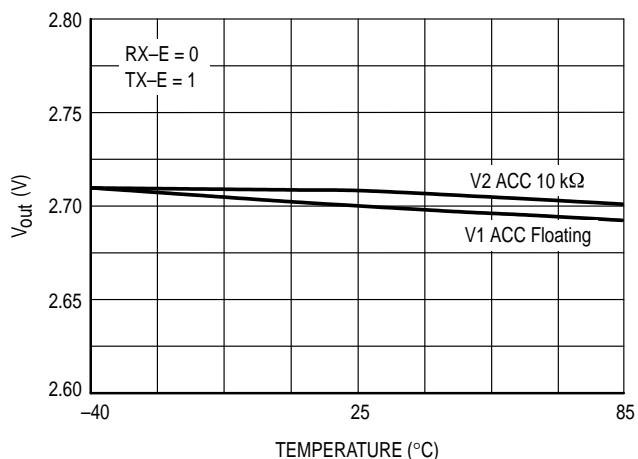


Figure 1. Vout (high) versus Temperature

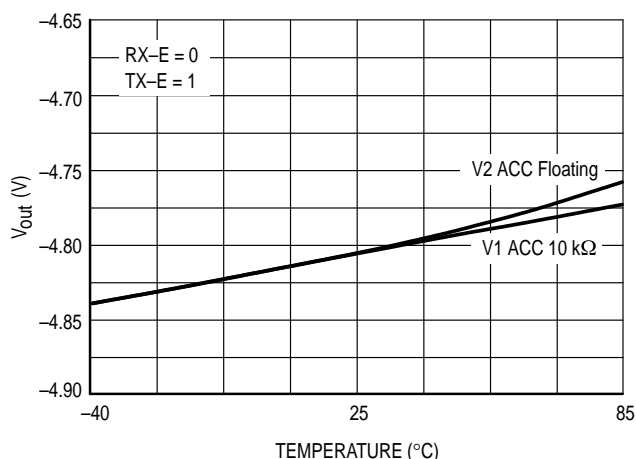


Figure 2. Vout (low) versus Temperature

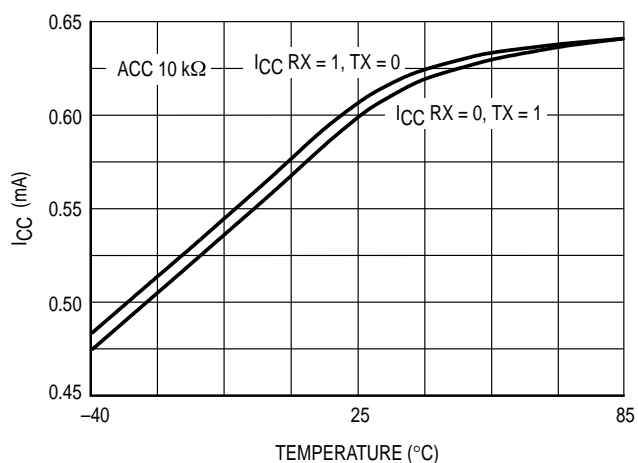


Figure 3. ICC versus Temperature

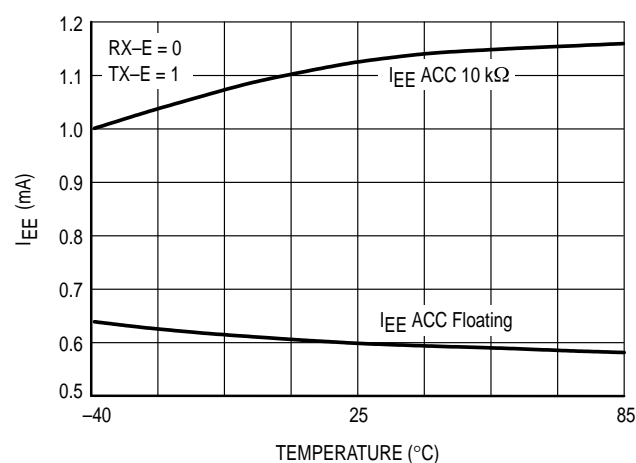


Figure 4. IEE versus Temperature

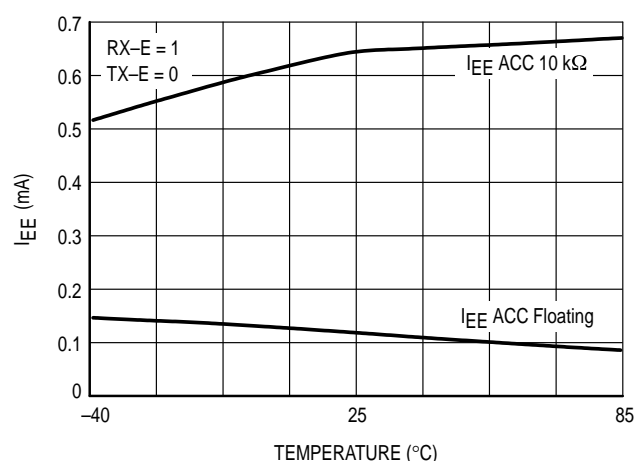


Figure 5. IEE versus Temperature

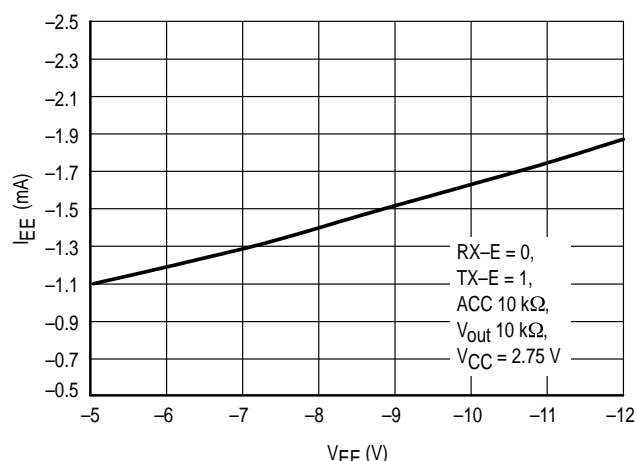


Figure 6. IEE versus VEE

MDC5101

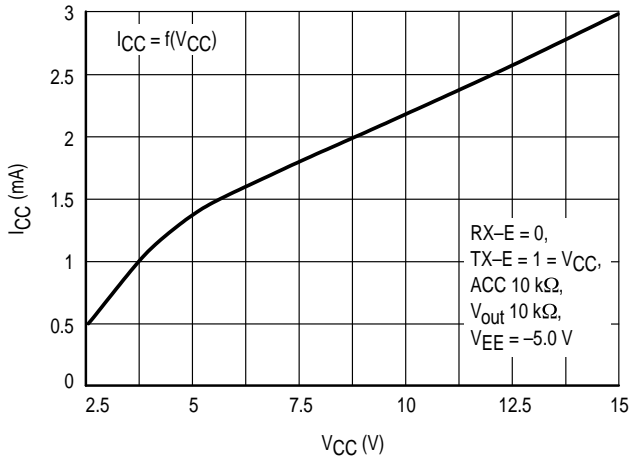


Figure 7. I_{CC} versus V_{CC}

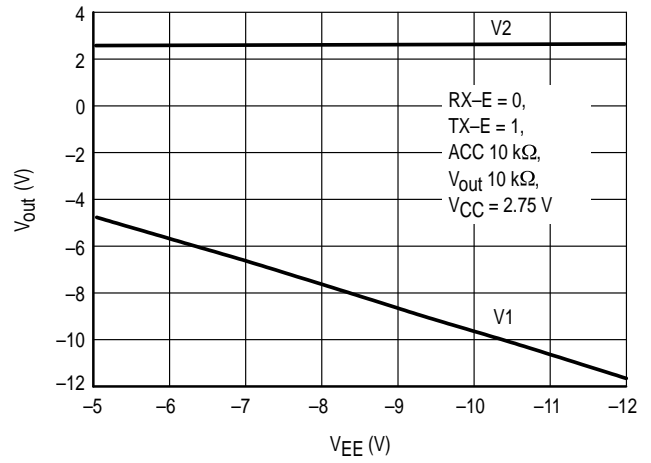


Figure 8. V_{out} versus V_{EE}

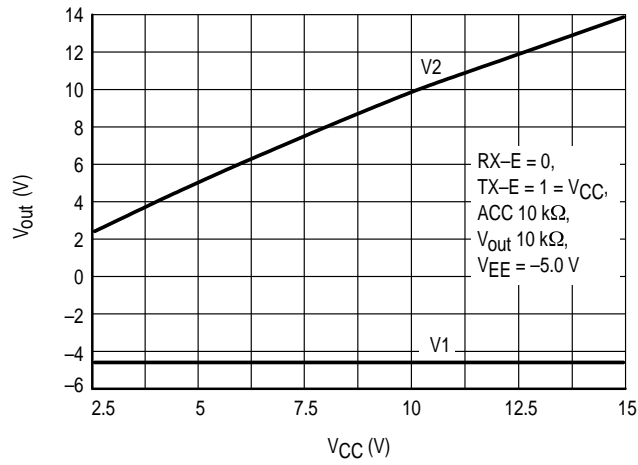


Figure 9. V_{out} versus V_{IH}/V_{CC}

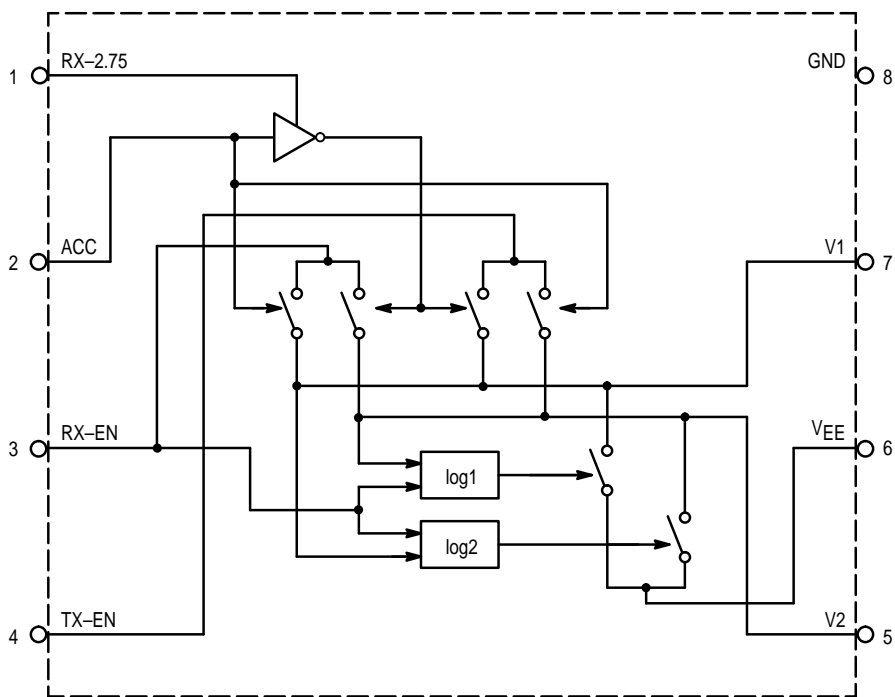


Figure 10. Antenna Switch Controller Block Diagram

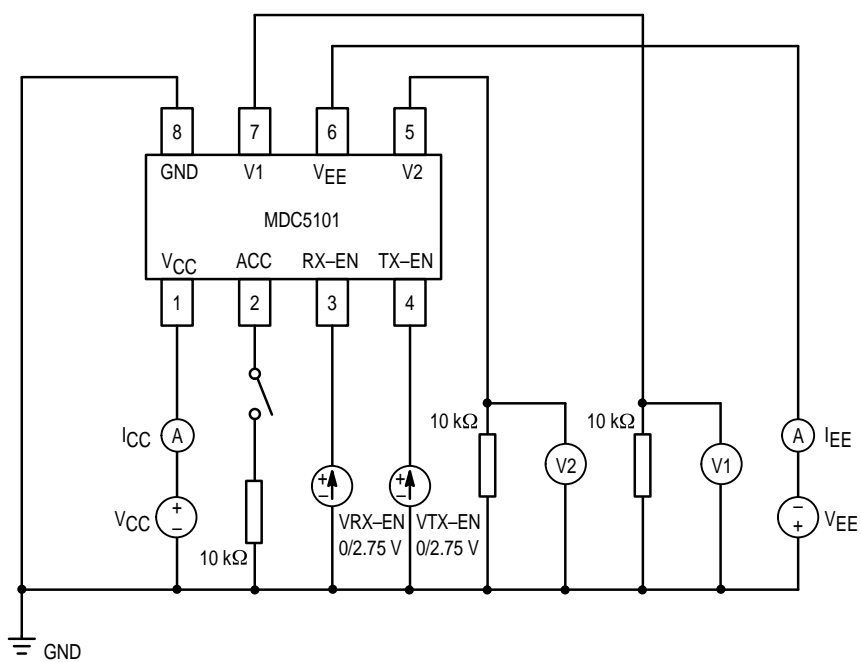
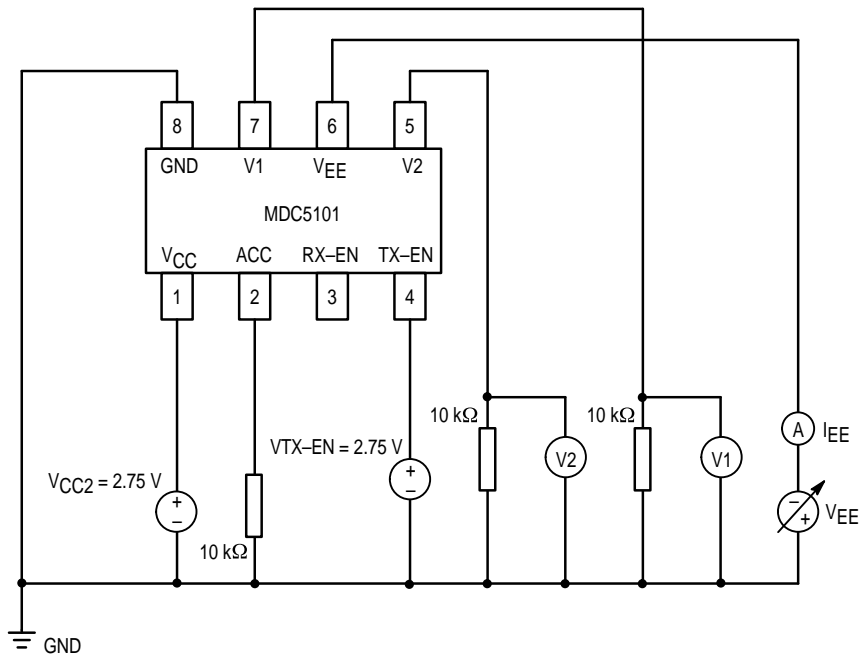
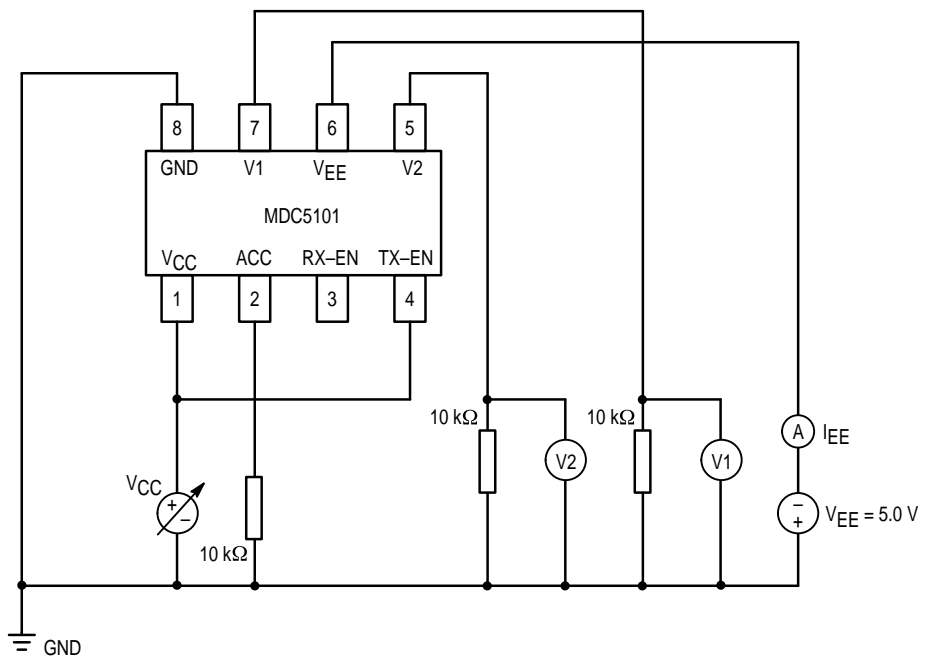


Figure 11. Temperature Measurement Schematic

MDC5101

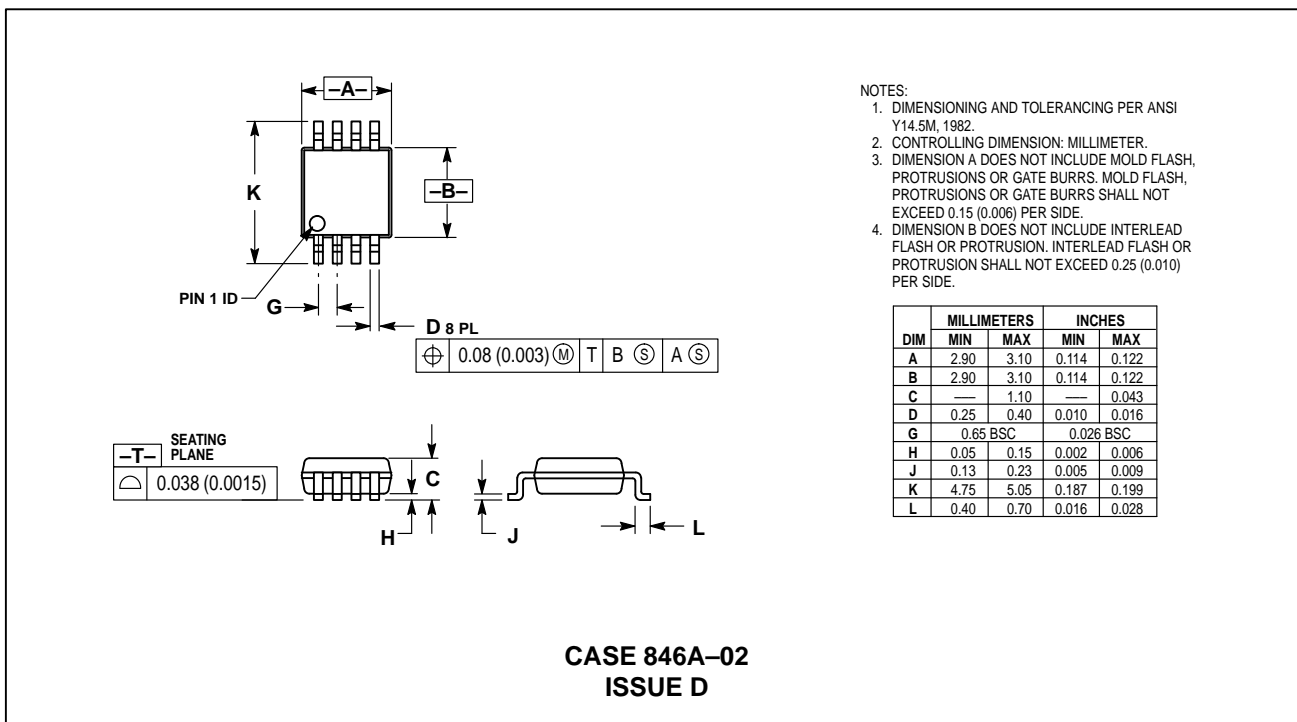



**Figure 12. Measurement Schematic
V_{out} vs V_{EE} & I_{EE} vs V_{EE}**



**Figure 13. Measurement Schematic
V_{out} vs V_{CC}**

PACKAGE DIMENSIONS



Motorola reserves the right to make changes without further notice to any products herein. Motorola makes no warranty, representation or guarantee regarding the suitability of its products for any particular purpose, nor does Motorola assume any liability arising out of the application or use of any product or circuit, and specifically disclaims any and all liability, including without limitation consequential or incidental damages. "Typical" parameters which may be provided in Motorola data sheets and/or specifications can and do vary in different applications and actual performance may vary over time. All operating parameters, including "Typicals" must be validated for each customer application by customer's technical experts. Motorola does not convey any license under its patent rights nor the rights of others. Motorola products are not designed, intended, or authorized for use as components in systems intended for surgical implant into the body, or other applications intended to support or sustain life, or for any other application in which the failure of the Motorola product could create a situation where personal injury or death may occur. Should Buyer purchase or use Motorola products for any such unintended or unauthorized application, Buyer shall indemnify and hold Motorola and its officers, employees, subsidiaries, affiliates, and distributors harmless against all claims, costs, damages, and expenses, and reasonable attorney fees arising out of, directly or indirectly, any claim of personal injury or death associated with such unintended or unauthorized use, even if such claim alleges that Motorola was negligent regarding the design or manufacture of the part. Motorola and  are registered trademarks of Motorola, Inc. Motorola, Inc. is an Equal Opportunity/Affirmative Action Employer.

Mfax is a trademark of Motorola, Inc.

How to reach us:

USA/EUROPE/Locations Not Listed: Motorola Literature Distribution;
P.O. Box 5405, Denver, Colorado 80217. 1-303-675-2140 or 1-800-441-2447

JAPAN: Motorola Japan Ltd.; SPD, Strategic Planning Office, 141,
4-32-1 Nishi-Gotanda, Shinagawa-ku, Tokyo, Japan. 81-3-5487-8488

Customer Focus Center: 1-800-521-6274

Mfax™: RMFAX0@email.sps.mot.com – TOUCHTONE 1-602-244-6609
Motorola Fax Back System – US & Canada ONLY 1-800-774-1848
– <http://sps.motorola.com/mfax/>

ASIA/PACIFIC: Motorola Semiconductors H.K. Ltd.; Silicon Harbour Centre,
2, Dai King Street, Tai Po Industrial Estate, Tai Po, N.T., Hong Kong.
852-26668334

HOME PAGE: <http://motorola.com/sps/>

