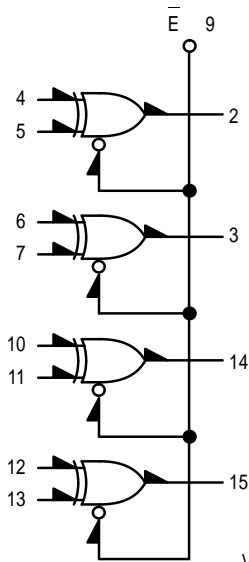


## Quad Exclusive OR Gate

The MC10113 is a quad Exclusive OR gate, with an enable common to all four gates. The outputs may be wire-ORed together to perform a 4-bit comparison function (A = B). The enable is active low.

$P_D = 175 \text{ mW typ/pkg (No Load)}$   
 $t_{pd} = 2.5 \text{ ns typ}$   
 $t_r, t_f = 2.0 \text{ ns typ (20\% to 80\%)}$

### LOGIC DIAGRAM

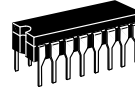


$V_{CC1} = \text{PIN } 1$   
 $V_{CC2} = \text{PIN } 16$   
 $V_{EE} = \text{PIN } 8$

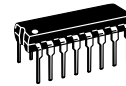
### TRUTH TABLE

IN		$\bar{E}$	OUTPUT
L	L	L	L
L	H	L	H
H	L	L	H
H	H	L	L
X	X	H	L

## MC10113



**L SUFFIX**  
CERAMIC PACKAGE  
CASE 620-10

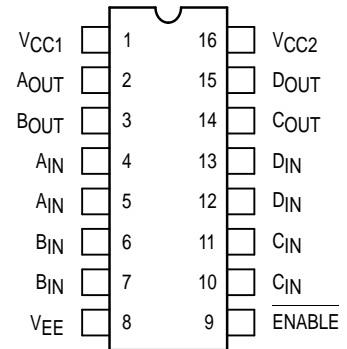


**P SUFFIX**  
PLASTIC PACKAGE  
CASE 648-08



**FN SUFFIX**  
PLCC  
CASE 775-02

### DIP PIN ASSIGNMENT



Pin assignment is for Dual-in-Line Package.  
 For PLCC pin assignment, see the Pin Conversion  
 Tables on page 6-11 of the Motorola MECL Data  
 Book (DL122/D).



## ELECTRICAL CHARACTERISTICS

Characteristic	Symbol	Pin Under Test	Test Limits						Unit		
			-30°C		+25°C		+85°C				
			Min	Max	Min	Typ	Max	Min		Max	
Power Supply Drain Current	$I_E$	8		46			42		46	mAdc	
Input Current	$I_{inH}$	4,7,10,13 5,6,11,12 9		425 350 870			265 220 545		265 220 545	$\mu$ Adc	
	$I_{inL}$	*	0.5		0.5			0.3		$\mu$ Adc	
Output Voltage Logic 1	$V_{OH}$	2	-1.060	-0.890	-0.960		-0.810	-0.890	-0.700	Vdc	
		3	-1.060	-0.890	-0.960		-0.810	-0.890	-0.700		
		14	-1.060	-0.890	-0.960		-0.810	-0.890	-0.700		
		15	-1.060	-0.890	-0.960		-0.810	-0.890	-0.700		
Output Voltage Logic 0	$V_{OL}$	2	-1.890	-1.675	-1.850		-1.650	-1.825	-1.615	Vdc	
		3	-1.890	-1.675	-1.850		-1.650	-1.825	-1.615		
		14	-1.890	-1.675	-1.850		-1.650	-1.825	-1.615		
		15	-1.890	-1.675	-1.850		-1.650	-1.825	-1.615		
Threshold Voltage Logic 1	$V_{OHA}$	2	-1.080		-0.980			-0.910		Vdc	
		3	-1.080		-0.980			-0.910			
		14	-1.080		-0.980			-0.910			
		15	-1.080		-0.980			-0.910			
Threshold Voltage Logic 0	$V_{OLA}$	2		-1.655			-1.630		-1.595	Vdc	
		3		-1.655			-1.630		-1.595		
		14		-1.655			-1.630		-1.595		
		15		-1.655			-1.630		-1.595		
Switching Times (50 $\Omega$ Load)					<b>Min</b>	<b>Typ</b>	<b>Max</b>			ns	
Propagation Delay	$t_{4+2+}$	2	1.1	4.7	1.3	2.6	4.5	1.3	5.0		
		$t_{4-2-}$	2	1.1	4.7	1.3	2.6	4.5	1.3		5.0
		$t_{9+2-}$	2	1.3	5.2	1.5	3.4	5.0	1.5		5.5
		$t_{9-2+}$	2	1.3	5.2	1.5	3.4	5.0	1.5		5.5
Rise Time (20 to 80%)	$t_{2+}$	2	1.1	4.2	1.1	2.5	3.9	1.1	4.4		
Fall Time (20 to 80%)	$t_{2-}$	2	1.1	4.2	1.1	2.5	3.9	1.1	4.4		

\* Individually test each input applying  $V_{IH}$  or  $V_{IL}$  to input under test.

MC10113

ELECTRICAL CHARACTERISTICS (continued)

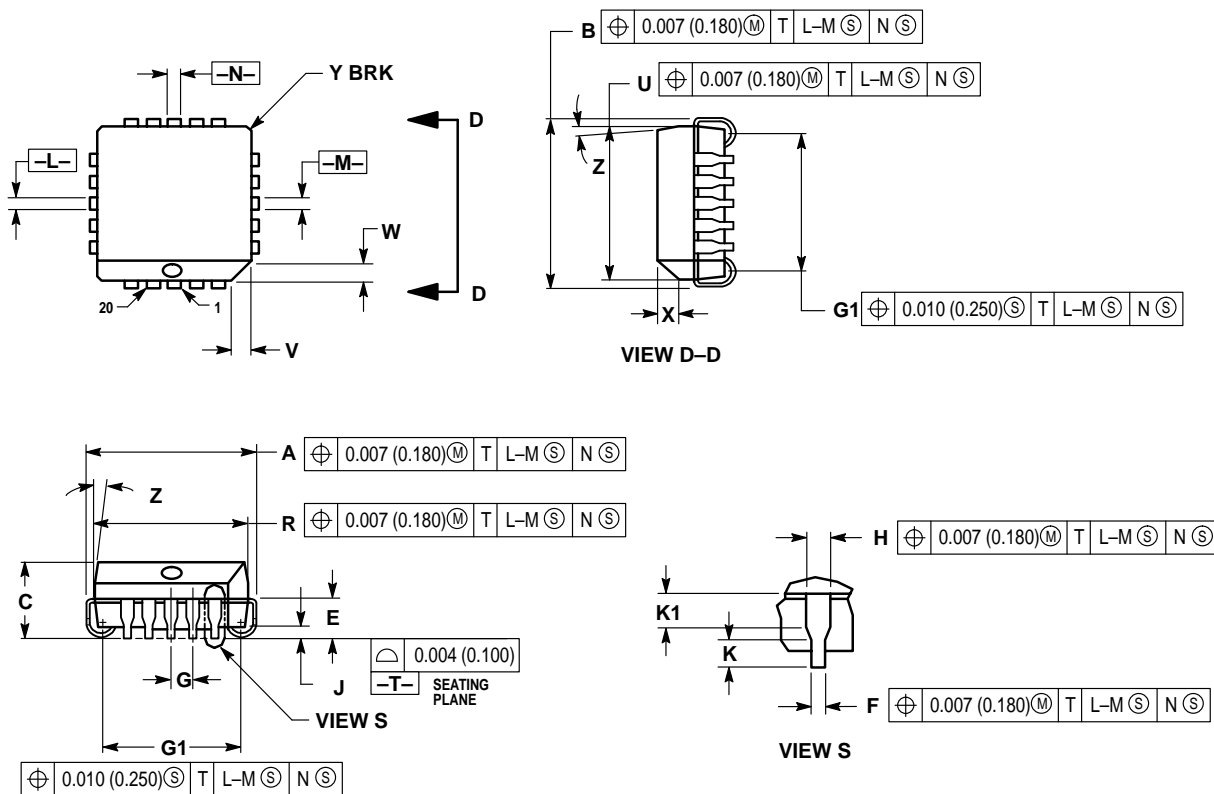
			TEST VOLTAGE VALUES (Volts)						
			V <sub>IHmax</sub>	V <sub>ILmin</sub>	V <sub>IHAmin</sub>	V <sub>ILAmax</sub>	V <sub>EE</sub>		
@ Test Temperature									
			-30°C	-0.890	-1.890	-1.205	-1.500	-5.2	
			+25°C	-0.810	-1.850	-1.105	-1.475	-5.2	
			+85°C	-0.700	-1.825	-1.035	-1.440	-5.2	
Characteristic	Symbol	Pin Under Test	TEST VOLTAGE APPLIED TO PINS LISTED BELOW					(V <sub>CC</sub> ) Gnd	
			V <sub>IHmax</sub>	V <sub>ILmin</sub>	V <sub>IHAmin</sub>	V <sub>ILAmax</sub>	V <sub>EE</sub>		
Power Supply Drain Current	I <sub>E</sub>	8					8	1, 16	
Input Current	I <sub>inH</sub>	4,7,10,13	*				8	1, 16	
		5,6,11,12	*				8	1, 16	
9		9				8	1, 16		
	I <sub>inL</sub>	*		*			8	1, 16	
Output Voltage Logic 1	V <sub>OH</sub>	2	4				8	1, 16	
		3	7				8	1, 16	
		14	11				8	1, 16	
		15	13				8	1, 16	
Output Voltage Logic 0	V <sub>OL</sub>	2		4			8	1, 16	
		3		7			8	1, 16	
		14		11			8	1, 16	
		15		13			8	1, 16	
Threshold Voltage Logic 1	V <sub>OHA</sub>	2			4		8	1, 16	
		3			6		8	1, 16	
		14			10		8	1, 16	
		15			12		8	1, 16	
Threshold Voltage Logic 0	V <sub>OLA</sub>	2				5	8	1, 16	
		3				7	8	1, 16	
		14				11	8	1, 16	
		15				13	8	1, 16	
Switching Times (50Ω Load)				+1.11V		Pulse In	Pulse Out	-3.2 V	+2.0 V
Propagation Delay	t <sub>4+2+</sub> t <sub>4-2-</sub> t <sub>9+2-</sub> t <sub>9-2+</sub>	2				4	2	8	1, 16
		2				4	2	8	1, 16
		2	4			9	2	8	1, 16
		2	4			9	2	8	1, 16
Rise Time (20 to 80%)	t <sub>2+</sub>	2				4	2	8	1, 16
Fall Time (20 to 80%)	t <sub>2-</sub>	2				4	2	8	1, 16

\* Individually test each input applying V<sub>IH</sub> or V<sub>IL</sub> to input under test.

Each MECL 10,000 series circuit has been designed to meet the dc specifications shown in the test table, after thermal equilibrium has been established. The circuit is in a test socket or mounted on a printed circuit board and transverse air flow greater than 500 linear fpm is maintained. Outputs are terminated through a 50-ohm resistor to -2.0 volts. Test procedures are shown for only one gate. The other gates are tested in the same manner.

OUTLINE DIMENSIONS

FN SUFFIX  
 PLASTIC PLCC PACKAGE  
 CASE 775-02  
 ISSUE C

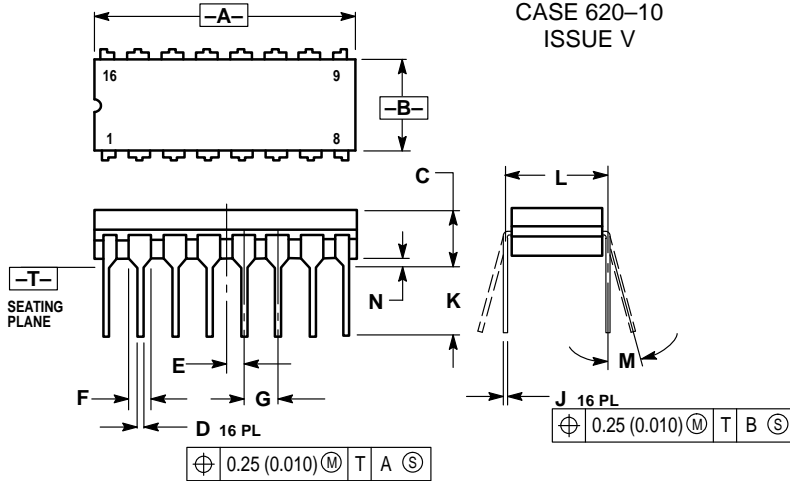


- NOTES:
- DATUMS -L-, -M-, AND -N- DETERMINED WHERE TOP OF LEAD SHOULDER EXITS PLASTIC BODY AT MOLD PARTING LINE.
  - DIMENSION G1, TRUE POSITION TO BE MEASURED AT DATUM -T-, SEATING PLANE.
  - DIMENSIONS R AND U DO NOT INCLUDE MOLD FLASH. ALLOWABLE MOLD FLASH IS 0.010 (0.250) PER SIDE.
  - DIMENSIONING AND TOLERANCING PER ANSI Y14.5M, 1982.
  - CONTROLLING DIMENSION: INCH.
  - THE PACKAGE TOP MAY BE SMALLER THAN THE PACKAGE BOTTOM BY UP TO 0.012 (0.300). DIMENSIONS R AND U ARE DETERMINED AT THE OUTERMOST EXTREMES OF THE PLASTIC BODY EXCLUSIVE OF MOLD FLASH, TIE BAR BURRS, GATE BURRS AND INTERLEAD FLASH, BUT INCLUDING ANY MISMATCH BETWEEN THE TOP AND BOTTOM OF THE PLASTIC BODY.
  - DIMENSION H DOES NOT INCLUDE DAMBAR PROTRUSION OR INTRUSION. THE DAMBAR PROTRUSION(S) SHALL NOT CAUSE THE H DIMENSION TO BE GREATER THAN 0.037 (0.940). THE DAMBAR INTRUSION(S) SHALL NOT CAUSE THE H DIMENSION TO BE SMALLER THAN 0.025 (0.635).

DIM	INCHES		MILLIMETERS	
	MIN	MAX	MIN	MAX
A	0.385	0.395	9.78	10.03
B	0.385	0.395	9.78	10.03
C	0.165	0.180	4.20	4.57
E	0.090	0.110	2.29	2.79
F	0.013	0.019	0.33	0.48
G	0.050 BSC		1.27 BSC	
H	0.026	0.032	0.66	0.81
J	0.020	—	0.51	—
K	0.025	—	0.64	—
R	0.350	0.356	8.89	9.04
U	0.350	0.356	8.89	9.04
V	0.042	0.048	1.07	1.21
W	0.042	0.048	1.07	1.21
X	0.042	0.056	1.07	1.42
Y	—	0.020	—	0.50
Z	2° 10°		2° 10°	
G1	0.310	0.330	7.88	8.38
K1	0.040	—	1.02	—

OUTLINE DIMENSIONS

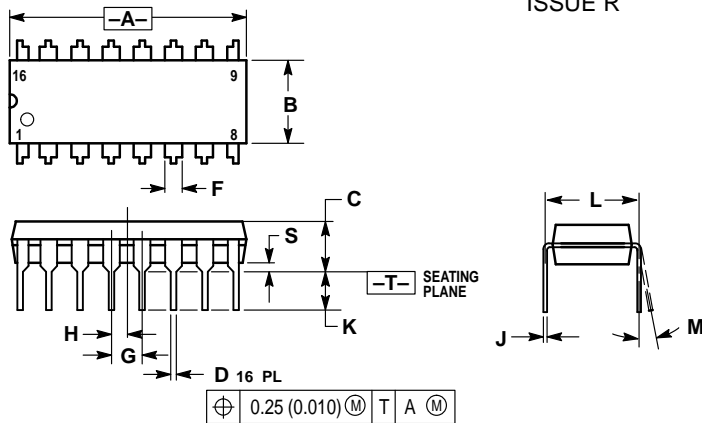
L SUFFIX  
CERAMIC DIP PACKAGE  
CASE 620-10  
ISSUE V



- NOTES:
1. DIMENSIONING AND TOLERANCING PER ANSI Y14.5M, 1982.
  2. CONTROLLING DIMENSION: INCH.
  3. DIMENSION L TO CENTER OF LEAD WHEN FORMED PARALLEL.
  4. DIMENSION F MAY NARROW TO 0.76 (0.030) WHERE THE LEAD ENTERS THE CERAMIC BODY.

DIM	INCHES		MILLIMETERS	
	MIN	MAX	MIN	MAX
A	0.750	0.785	19.05	19.93
B	0.240	0.295	6.10	7.49
C	—	0.200	—	5.08
D	0.015	0.020	0.39	0.50
E	0.050 BSC		1.27 BSC	
F	0.055	0.065	1.40	1.65
G	0.100 BSC		2.54 BSC	
H	0.008	0.015	0.21	0.38
K	0.125	0.170	3.18	4.31
L	0.300 BSC		7.62 BSC	
M	0°		15°	
N	0.020	0.040	0.51	1.01

P SUFFIX  
PLASTIC DIP PACKAGE  
CASE 648-08  
ISSUE R



- NOTES:
1. DIMENSIONING AND TOLERANCING PER ANSI Y14.5M, 1982.
  2. CONTROLLING DIMENSION: INCH.
  3. DIMENSION L TO CENTER OF LEADS WHEN FORMED PARALLEL.
  4. DIMENSION B DOES NOT INCLUDE MOLD FLASH.
  5. ROUNDED CORNERS OPTIONAL.

DIM	INCHES		MILLIMETERS	
	MIN	MAX	MIN	MAX
A	0.740	0.770	18.80	19.55
B	0.250	0.270	6.35	6.85
C	0.145	0.175	3.69	4.44
D	0.015	0.021	0.39	0.53
F	0.040	0.70	1.02	1.77
G	0.100 BSC		2.54 BSC	
H	0.050 BSC		1.27 BSC	
J	0.008	0.015	0.21	0.38
K	0.110	0.130	2.80	3.30
L	0.295	0.305	7.50	7.74
M	0°		10°	
S	0.020	0.040	0.51	1.01

Motorola reserves the right to make changes without further notice to any products herein. Motorola makes no warranty, representation or guarantee regarding the suitability of its products for any particular purpose, nor does Motorola assume any liability arising out of the application or use of any product or circuit, and specifically disclaims any and all liability, including without limitation consequential or incidental damages. "Typical" parameters which may be provided in Motorola data sheets and/or specifications can and do vary in different applications and actual performance may vary over time. All operating parameters, including "Typicals" must be validated for each customer application by customer's technical experts. Motorola does not convey any license under its patent rights nor the rights of others. Motorola products are not designed, intended, or authorized for use as components in systems intended for surgical implant into the body, or other applications intended to support or sustain life, or for any other application in which the failure of the Motorola product could create a situation where personal injury or death may occur. Should Buyer purchase or use Motorola products for any such unintended or unauthorized application, Buyer shall indemnify and hold Motorola and its officers, employees, subsidiaries, affiliates, and distributors harmless against all claims, costs, damages, and expenses, and reasonable attorney fees arising out of, directly or indirectly, any claim of personal injury or death associated with such unintended or unauthorized use, even if such claim alleges that Motorola was negligent regarding the design or manufacture of the part. Motorola and are registered trademarks of Motorola, Inc. Motorola, Inc. is an Equal Opportunity/Affirmative Action Employer.

How to reach us:

USA/EUROPE/Locations Not Listed: Motorola Literature Distribution; P.O. Box 20912; Phoenix, Arizona 85036. 1-800-441-2447 or 602-303-5454

MFAX: RMFAX0@email.sps.mot.com - TOUCHTONE 602-244-6609  
INTERNET: <http://Design-NET.com>

JAPAN: Nippon Motorola Ltd.; Tatsumi-SPD-JLDC, 6F Seibu-Butsuryu-Center, 3-14-2 Tatsumi Koto-Ku, Tokyo 135, Japan. 03-81-3521-8315

ASIA/PACIFIC: Motorola Semiconductors H.K. Ltd.; 8B Tai Ping Industrial Park, 51 Ting Kok Road, Tai Po, N.T., Hong Kong. 852-26629298

