

MC10SX1190

Product Preview

Fibre Channel Coaxial Cable Driver and Loop Resiliency Circuit

The MC10SX1190 is a differential receiver, differential transmitter specifically designed to drive coaxial cables. It incorporates the output cable drive capability of the MC10EP89 Coaxial Cable Driver with additional circuitry to multiplex the output cable drive source between the cable receiver or the local transmitter inputs. The multiplexer control circuitry is TTL compatible for ease of operation.

The MC10SX1190 is useful as a bypass element for Fibre Channel-Arbitrated Loop (FC-AL) or Serial Storage Architecture (SSA) applications, to create loop style interconnects with fault tolerant, active switches at each device node. This device is particularly useful for back panel applications where small size is desirable.

The EP89 style drive circuitry produces swings approximately 70% larger than a standard PECL output. When driving a coaxial cable, proper termination is required at both ends of the line to minimize reflections. The 1.4V output swings allow for proper termination at both ends of the cable, while maintaining the required swing at the receiving end of the cable. Because of the larger output swings, the \overline{QT} , \overline{QT} outputs are terminated into the thevenin equivalent of 50Ω to $V_{CC} - 3.0V$ instead of 50Ω to $V_{CC} - 2.0V$.

- 2.5 Gbps Operation
- 425ps Propagation Delay
- 1.4V Output Swing on the Cable Driving Output
- PECL Mode: 3.0V to 5.5V V_{CC} , with $V_{EE} = 0V$
- ECL Mode: 0V V_{CC} , with $V_{EE} = -3.0V$ to $-5.5V$
- 75k Ω Internal Input Pull Down Resistors
- >1000 Volt ESD Protection

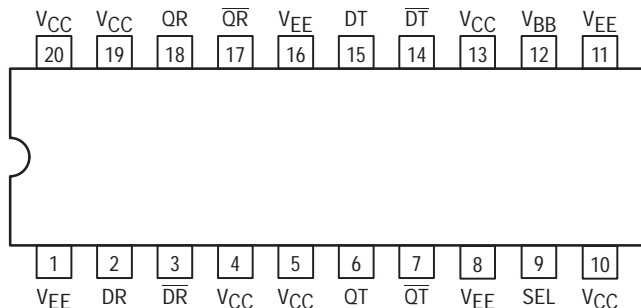
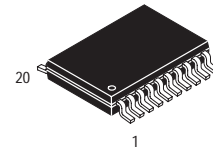


Figure 1. 20-Lead TSSOP Pinout: (Top View)

This document contains information on a product under development. ON Semiconductor reserves the right to change or discontinue this product without notice.

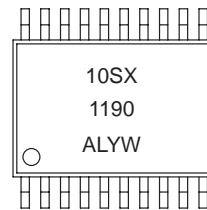


ON Semiconductor
Formerly a Division of Motorola
<http://onsemi.com>



TSSOP-20
DT SUFFIX
CASE 948E

MARKING DIAGRAM



A = Assembly Location
L = Wafer Lot
Y = Year
W = Work Week

*For additional information, see Application Note AND8002/D

PIN DESCRIPTION

PIN	FUNCTION
DR/ \overline{DR}	ECL Diff. Inputs from Receive Cable
QR/ \overline{QR}	ECL Buffered Differential Outputs from Receive Cable
DT/ \overline{DT}	ECL Differential Input to Transmit Cable
QT/ \overline{QT}	ECL Buffered Differential Output to Transmit Cable
SEL	TTL Multiplexer Control Signal
VBB	Reference Voltage Output
VCC	ECL Positive Supply
VEE	ECL Negative, 0 Supply

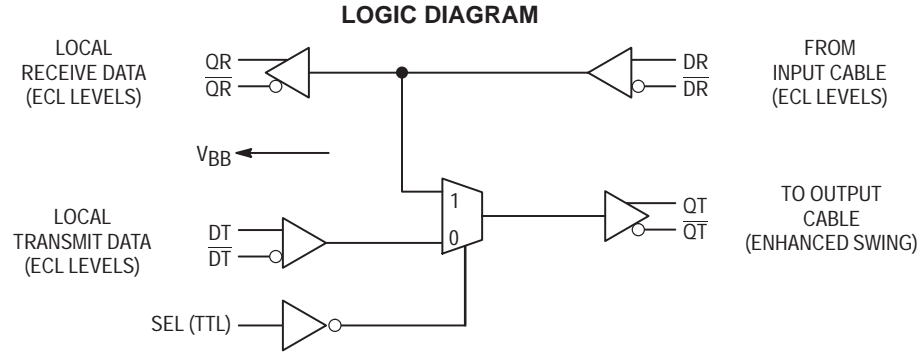
TRUTH TABLE

SEL	Function
L	DR QT
H	DT QT

ORDERING INFORMATION

Device	Package	Shipping
MC10SX1190DT	TSSOP-20	75 Units/Rail

MC10SX1190



ABSOLUTE MAXIMUM RATINGS*

Symbol	Parameter	Value	Unit	
V _{CC}	Power Supply Voltage (V _{EE} = 0V)	0 to +6.0	Vdc	
V _{EE}	Power Supply Voltage (V _{CC} = 0V)	-6.0 to 0	Vdc	
V _{IN}	Input Voltage (V _{EE} = 0V, V _{IN} not more positive than V _{CC})	0 to +6.0	Vdc	
V _{IN}	Input Voltage (V _{CC} = 0V, V _{IN} not more negative than V _{EE})	-6.0 to 0	Vdc	
I _{OUT}	Output Current	Continuous Surge	50 100	mA
θ _{JA}	Thermal Resistance (Junction-to-Ambient)	Still Air 500 LFPM	90 60	°C/W
θ _{JC}	Thermal Resistance (Junction-to-Case)		30 to 35	°C/W
T _A	Operating Temperature Range		-40 to +85	°C
T _{STG}	Storage Temperature Range		-50 to +150	°C

* Absolute Maximum Ratings are those values beyond which damage to the device may occur. Functional operation should be restricted to the Recommended Operating Conditions.

MC10SX1190

DC CHARACTERISTICS (Note 1)

Symbol	Characteristic	-40°C			0°C			25°C			85°C			Unit
		Min	Typ	Max	Min	Typ	Max	Min	Typ	Max	Min	Typ	Max	
V _{OH}	Output Voltage High (QR, \overline{QR}) V _{CC} = 5.0V, V _{EE} = 0V (Notes 2,3)		4.01			4.04			4.06			4.16		V
V _{OL}	Output Voltage Low (QR, \overline{QR}) V _{CC} = 5.0V, V _{EE} = 0V (Notes 2,3)		3.23			3.26			3.28			3.33		V
V _{OH}	Output Voltage High (QT, \overline{QT}) V _{CC} = 5.0V, V _{EE} = 0V (Notes 2,4)		3.94			3.98			4.04			4.13		V
V _{OL}	Output Voltage Low (QT, \overline{QT}) V _{CC} = 5.0V, V _{EE} = 0V (Notes 2,4)		2.51			2.49			2.48			2.47		V
I _{CC}	Quiescent Supply Current (Note 5)								55					mA
V _{IH}	Input Voltage High (DR, \overline{DR} & DT, \overline{DT}) V _{CC} = 5.0V, V _{EE} = 0V (Note 2)	3.77		4.11	3.83		4.16	3.87		4.19	3.94		4.28	V
V _{IL}	Input Voltage Low (DR, \overline{DR} & DT, \overline{DT}) V _{CC} = 5.0V, V _{EE} = 0V (Note 2)	3.05		3.50	3.05		3.52	3.05		3.52	3.05		3.56	V
V _{IH}	Input Voltage High SEL (Note 6)	2.0			2.0			2.0			2.0			V
V _{IL}	Input Voltage Low SEL (Note 6)			0.8			0.8			0.8			0.8	V
V _{BB}	Output Reference Voltage V _{CC} = 5.0V, V _{EE} = 0V (Note 2)	3.57	3.63	3.70	3.62	3.67	3.73	3.65	3.70	3.75	3.69	3.75	3.81	V

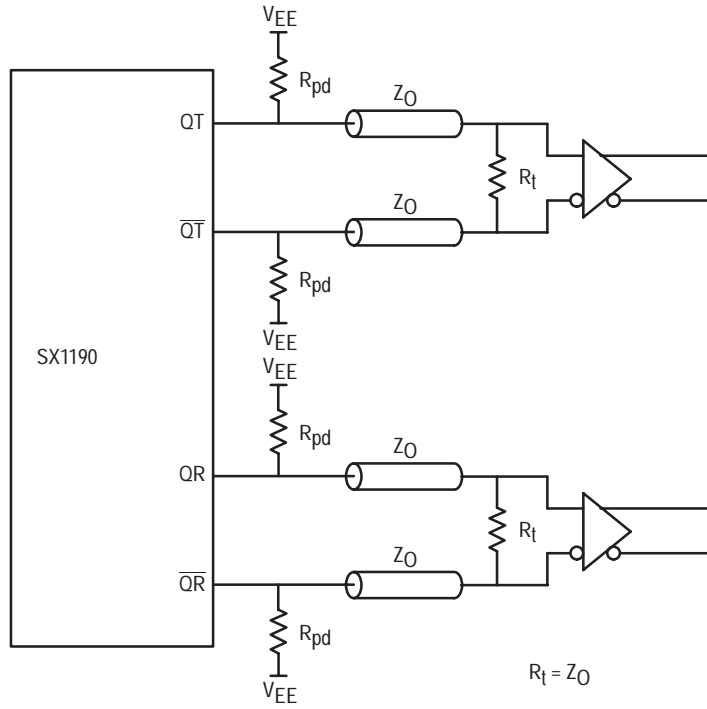
- 10SX circuits are designed to meet the DC specifications shown in the table after thermal equilibrium has been established. The circuit is mounted in a test socket or mounted on a printed circuit board and transverse air greater than 500lfm is maintained.
- Values will track 1:1 with the V_{CC} supply.
- Outputs loaded with 50Ω to +3.0V
- Outputs loaded with 50Ω to +2.0V
- Outputs open circuited.
- TTL signal threshold is 1.5V above V_{EE}.

AC CHARACTERISTICS (Note 1 & 7)

Symbol	Characteristic	-40°C			0 to 85°C			Unit	Condition
		Min	Typ	Max	Min	Typ	Max		
t _{PLH} , t _{PHL}	Propagation Delay DR QR (Diff) to Output (SE)					240		ps	Note 2 Note 3
	DR QT (Diff) (SE)					425			
	DT QT (Diff) (SE)					425			
t _{PLH} , t _{PHL}	Propagation Delay SEL QT, \overline{QT}	450	600	850	500	650	800	ps	1.5V to 50% Pt
t _r , t _f	Rise Time Fall Time					118		ps	20% to 80% 80% to 20%
						118			
t _r , t _f	Rise Time Fall Time					230		ps	20% to 80% 80% to 20%
						230			
t _{skew}	Within Device Skew		15			15		ps	Note 4
V _{PP}	Minimum Input Swing	200			200			mV	Note 5
V _{CMR}	Common Mode Range	3.0		4.35	3.0		4.35	V	Note 6
f _{max}	Maximum Operation Frequency	2.5			2.5			Gb/s	

- 10SX circuits are designed to meet the AC specifications shown in the table after thermal equilibrium has been established. The circuit is mounted in a test socket or mounted on a printed circuit board and transverse air greater than 500lfm is maintained.
- The differential propagation delay is defined as the delay from the crossing points of the differential input signals to the crossing point of the differential output signals.
- The single-ended propagation delay is defined as the delay from the 50% point of the input signal to the 50% point of the output signal.
- Duty cycle skew is the difference between t_{PLH} and t_{PHL} propagation delay through a device.
- Minimum input swing for which AC parameters are guaranteed.
- The CMR range is referenced to the most positive side of the differential input signal. Normal operation is obtained if the HIGH level falls within the specified range and the peak-to-peak voltage lies between V_{PP Min} and 1.0V.
- Data taken at V_{CC, nom} = 3.3V.

MC10SX1190



Typical value for R_{pd} is 160Ω to 260Ω , depending on the application. The minimum value of R_{pd} should not be less than 50Ω .

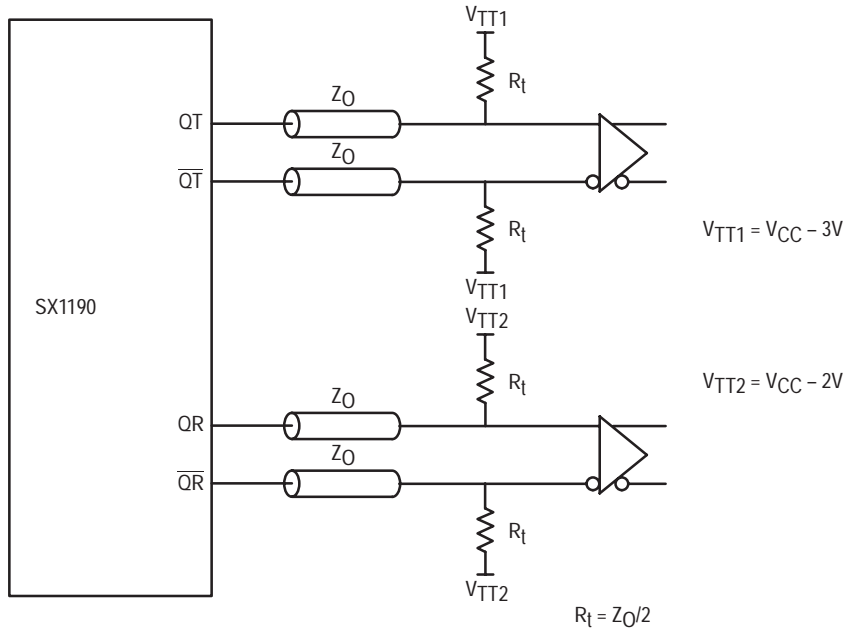
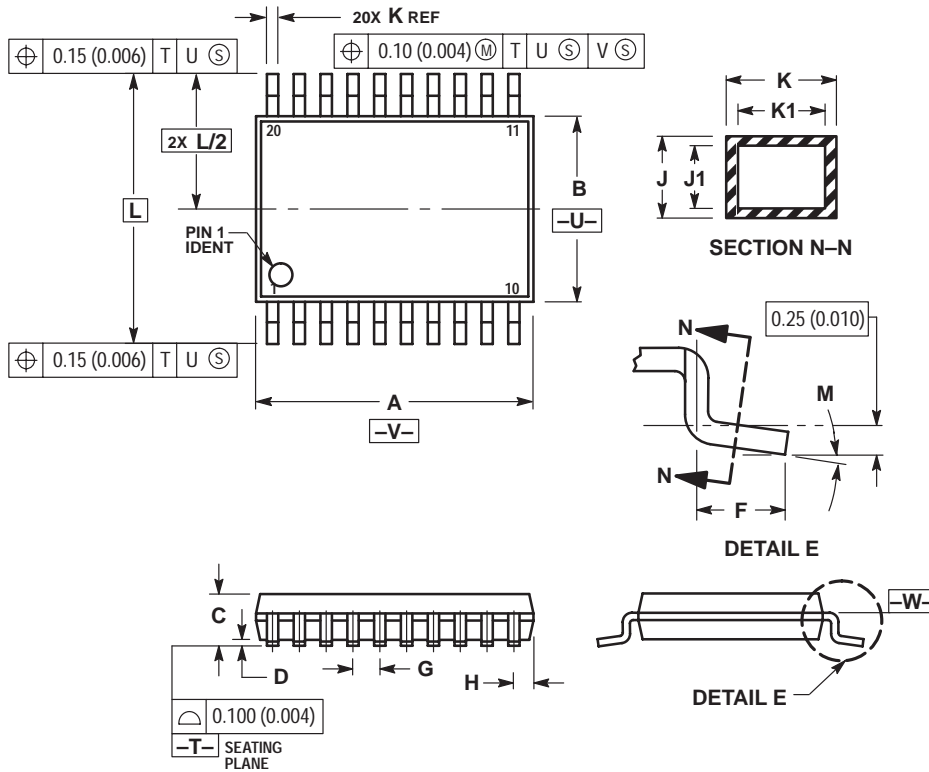


Figure 2. SX1190 Termination Configuration

MC10SX1190

PACKAGE DIMENSIONS

DT SUFFIX
PLASTIC PACKAGE
CASE 948E-02
ISSUE A




NOTES:

1. DIMENSIONING AND TOLERANCING PER ANSI Y14.5M, 1982.
2. CONTROLLING DIMENSION: MILLIMETER.
3. DIMENSION A DOES NOT INCLUDE MOLD FLASH, PROTRUSIONS OR GATE BURRS. MOLD FLASH OR GATE BURRS SHALL NOT EXCEED 0.15 (0.006) PER SIDE.
4. DIMENSION B DOES NOT INCLUDE INTERLEAD FLASH OR PROTRUSION. INTERLEAD FLASH OR PROTRUSION SHALL NOT EXCEED 0.25 (0.010) PER SIDE.
5. DIMENSION K DOES NOT INCLUDE DAMBAR PROTRUSION. ALLOWABLE DAMBAR PROTRUSION SHALL BE 0.08 (0.003) TOTAL IN EXCESS OF THE K DIMENSION AT MAXIMUM MATERIAL CONDITION.
6. TERMINAL NUMBERS ARE SHOWN FOR REFERENCE ONLY.
7. DIMENSION A AND B ARE TO BE DETERMINED AT DATUM PLANE -W-.

DIM	MILLIMETERS		INCHES	
	MIN	MAX	MIN	MAX
A	6.40	6.60	0.252	0.260
B	4.30	4.50	0.169	0.177
C	---	1.20	---	0.047
D	0.05	0.15	0.002	0.006
F	0.50	0.75	0.020	0.030
G	0.65 BSC		0.026 BSC	
H	0.27	0.37	0.011	0.015
J	0.09	0.20	0.004	0.008
J1	0.09	0.16	0.004	0.006
K	0.19	0.30	0.007	0.012
K1	0.19	0.25	0.007	0.010
L	6.40 BSC		0.252 BSC	
M	0°	8°	0°	8°

Notes

Notes

ON Semiconductor and  are trademarks of Semiconductor Components Industries, LLC (SCILLC). SCILLC reserves the right to make changes without further notice to any products herein. SCILLC makes no warranty, representation or guarantee regarding the suitability of its products for any particular purpose, nor does SCILLC assume any liability arising out of the application or use of any product or circuit, and specifically disclaims any and all liability, including without limitation special, consequential or incidental damages. "Typical" parameters which may be provided in SCILLC data sheets and/or specifications can and do vary in different applications and actual performance may vary over time. All operating parameters, including "Typicals" must be validated for each customer application by customer's technical experts. SCILLC does not convey any license under its patent rights nor the rights of others. SCILLC products are not designed, intended, or authorized for use as components in systems intended for surgical implant into the body, or other applications intended to support or sustain life, or for any other application in which the failure of the SCILLC product could create a situation where personal injury or death may occur. Should Buyer purchase or use SCILLC products for any such unintended or unauthorized application, Buyer shall indemnify and hold SCILLC and its officers, employees, subsidiaries, affiliates, and distributors harmless against all claims, costs, damages, and expenses, and reasonable attorney fees arising out of, directly or indirectly, any claim of personal injury or death associated with such unintended or unauthorized use, even if such claim alleges that SCILLC was negligent regarding the design or manufacture of the part. SCILLC is an Equal Opportunity/Affirmative Action Employer.

PUBLICATION ORDERING INFORMATION

North America Literature Fulfillment:

Literature Distribution Center for ON Semiconductor
P.O. Box 5163, Denver, Colorado 80217 USA
Phone: 303-675-2175 or 800-344-3860 Toll Free USA/Canada
Fax: 303-675-2176 or 800-344-3867 Toll Free USA/Canada
Email: ONlit@hibbertco.com

N. American Technical Support: 800-282-9855 Toll Free USA/Canada

EUROPE: LDC for ON Semiconductor — European Support

German Phone: 303-308-7140 (Mon-Fri 2:30pm to 5:00pm Munich Time)
German Email: ONlit-german@hibbertco.com
French Phone: 303-308-7141 (Mon-Fri 2:30pm to 5:00pm Toulouse Time)
French Email: ONlit-french@hibbertco.com
English Phone: 303-308-7142 (Mon-Fri 1:30pm to 5:00pm UK Time)
English Email: ONlit@hibbertco.com

ASIA/PACIFIC: LDC for ON Semiconductor — Asia Support

Phone: 303-675-2121 (Tue-Fri 9:00am to 1:00pm, Hong Kong Time)
Toll Free from Hong Kong 800-4422-3781
Email: ONlit-asia@hibbertco.com

JAPAN: ON Semiconductor, Japan Customer Focus Center
4-32-1 Nishi-Gotanda, Shinagawa-ku, Tokyo, Japan 141-8549

Phone: 81-3-5487-8345
Email: r14153@onsemi.com

Fax Response Line: 303-675-2167
800-344-3810 Toll Free USA/Canada

ON Semiconductor Website: <http://onsemi.com>

For additional information, please contact your local Sales Representative.