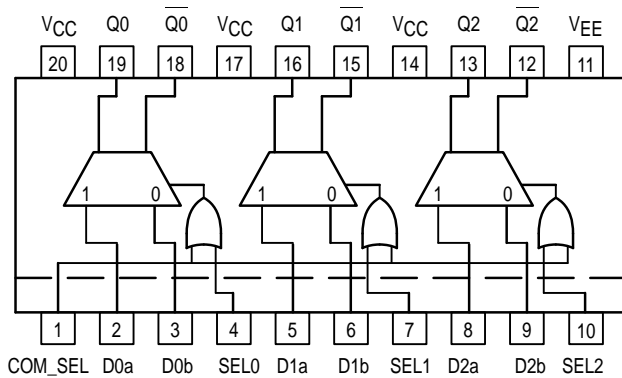


## Triple 2:1 Multiplexer

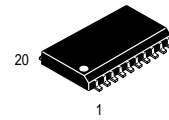
The MC100LVEL59 is a triple 2:1 multiplexer with differential outputs. The MC100EL59 is pin and functionally equivalent to the MC100LVEL59 but is specified for operation at the standard 100E ECL voltage supply. The output data of the muxes can be controlled individually via the select inputs or as a group via the common select input. The flexible selection scheme makes the device useful for both data path and random logic applications.

- Individual or Common Select Controls
- 20-Lead SOIC Packaging
- 500ps Typical Propagation Delays
- Supports Both Standard and Low Voltage 100K ECL
- Internal Input Pulldown Resistors
- >2000V ESD Protection

**Logic Diagram and Pinout: 20-Lead SOIC (Top View)**



## MC100LVEL59 MC100EL59



**DW SUFFIX**  
PLASTIC SOIC PACKAGE  
CASE 751D-04

### TRUTH TABLE

SEL	Data
H	a
L	b

### PIN NAMES

Pins	Function
D0a-D1a	Input Data a
D0b-D1b	Input Data b
SEL0-SEL1	Individual Select Input
COM_SEL	Common Select Input
Q0-Q2	True Outputs
Q0-Q2	Inverted Outputs



## MC100LVEL59 MC100EL59

### MC100LVEL59

#### DC CHARACTERISTICS ( $V_{EE} = -3.0V$ to $-3.8V$ ; $V_{CC} = GND$ )

Symbol	Characteristic	-40°C			0°C			25°C			85°C			Unit
		Min	Typ	Max	Min	Typ	Max	Min	Typ	Max	Min	Typ	Max	
$I_{EE}$	Power Supply Current		27	32		27	32		27	32		27	32	mA
$I_{IH}$	Input HIGH Current			150			150			150			150	$\mu A$

### MC100LVEL59

#### AC CHARACTERISTICS ( $V_{EE} = -3.0V$ to $-3.8V$ ; $V_{CC} = GND$ )

Symbol	Characteristic	-40°C			0°C			25°C			85°C			Unit
		Min	Typ	Max	Min	Typ	Max	Min	Typ	Max	Min	Typ	Max	
$t_{PLH}$ $t_{PHL}$	Propagation Delay DATA→Q/Q SEL→Q/Q COM_SEL→Q/Q	340 340 340		690 690 690	340 340 340		690 690 690	340 340 340		690 690 690	340 340 340		690 690 690	ps
$t_{sk(O)}$	Output-Output Skew Any $D_n$ , $D_m$ to Q			100			100			100			100	ps
$t_r$ $t_f$	Output Rise/Fall Times Q (20% – 80%)	200		540	200		540	200		540	200		540	ps

### MC100EL59

#### DC CHARACTERISTICS ( $V_{EE} = -4.2V$ to $-5.5V$ ; $V_{CC} = GND$ )

Symbol	Characteristic	-40°C			0°C			25°C			85°C			Unit
		Min	Typ	Max	Min	Typ	Max	Min	Typ	Max	Min	Typ	Max	
$I_{EE}$	Power Supply Current		27	32		27	32		27	32		27	32	mA
$I_{IH}$	Input HIGH Current			150			150			150			150	$\mu A$

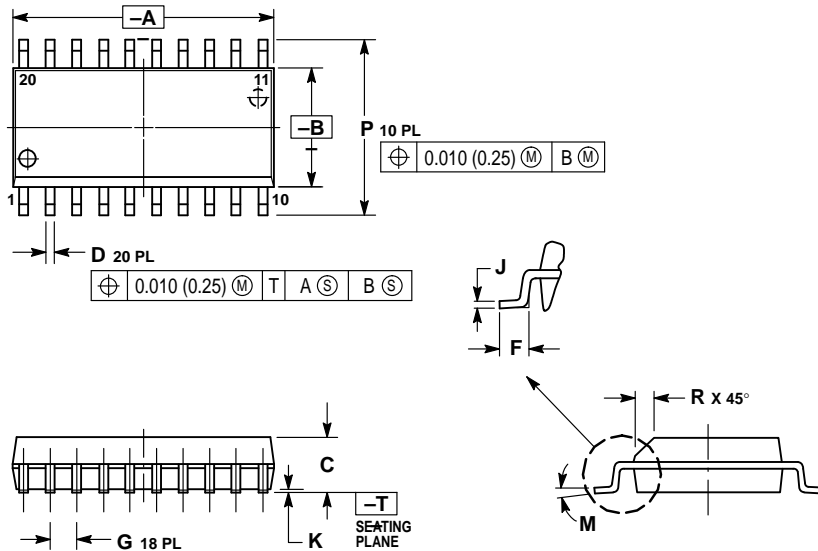
### MC100EL59

#### AC CHARACTERISTICS ( $V_{EE} = -4.2V$ to $-5.5V$ ; $V_{CC} = GND$ )

Symbol	Characteristic	-40°C			0°C			25°C			85°C			Unit
		Min	Typ	Max	Min	Typ	Max	Min	Typ	Max	Min	Typ	Max	
$t_{PLH}$ $t_{PHL}$	Propagation Delay DATA→Q/Q SEL→Q/Q COM_SEL→Q/Q	340 340 340		690 690 690	340 340 340		690 690 690	340 340 340		690 690 690	340 340 340		690 690 690	ps
$t_{sk(O)}$	Output-Output Skew Any $D_n$ , $D_m$ to Q			100			100			100			100	ps
$t_r$ $t_f$	Output Rise/Fall Times Q (20% – 80%)	200		540	200		540	200		540	200		540	ps

OUTLINE DIMENSIONS

DW SUFFIX  
PLASTIC SOIC PACKAGE  
CASE 751D-04  
ISSUE E



- NOTES:
1. DIMENSIONING AND TOLERANCING PER ANSI Y14.5M, 1982.
  2. CONTROLLING DIMENSION: MILLIMETER.
  3. DIMENSIONS A AND B DO NOT INCLUDE MOLD PROTRUSION.
  4. MAXIMUM MOLD PROTRUSION 0.150 (0.006) PER SIDE.
  5. DIMENSION D DOES NOT INCLUDE DAMBAR PROTRUSION. ALLOWABLE DAMBAR PROTRUSION SHALL BE 0.13 (0.005) TOTAL IN EXCESS OF D DIMENSION AT MAXIMUM MATERIAL CONDITION.

DIM	MILLIMETERS		INCHES	
	MIN	MAX	MIN	MAX
A	12.65	12.95	0.499	0.510
B	7.40	7.60	0.292	0.299
C	2.35	2.65	0.093	0.104
D	0.35	0.49	0.014	0.019
F	0.50	0.90	0.020	0.035
G	1.27 BSC		0.050 BSC	
J	0.25	0.32	0.010	0.012
K	0.10	0.25	0.004	0.009
M	0°	7°	0°	7°
P	10.05	10.55	0.395	0.415
R	0.25	0.75	0.010	0.029

Motorola reserves the right to make changes without further notice to any products herein. Motorola makes no warranty, representation or guarantee regarding the suitability of its products for any particular purpose, nor does Motorola assume any liability arising out of the application or use of any product or circuit, and specifically disclaims any and all liability, including without limitation consequential or incidental damages. "Typical" parameters which may be provided in Motorola data sheets and/or specifications can and do vary in different applications and actual performance may vary over time. All operating parameters, including "Typicals" must be validated for each customer application by customer's technical experts. Motorola does not convey any license under its patent rights nor the rights of others. Motorola products are not designed, intended, or authorized for use as components in systems intended for surgical implant into the body, or other applications intended to support or sustain life, or for any other application in which the failure of the Motorola product could create a situation where personal injury or death may occur. Should Buyer purchase or use Motorola products for any such unintended or unauthorized application, Buyer shall indemnify and hold Motorola and its officers, employees, subsidiaries, affiliates, and distributors harmless against all claims, costs, damages, and expenses, and reasonable attorney fees arising out of, directly or indirectly, any claim of personal injury or death associated with such unintended or unauthorized use, even if such claim alleges that Motorola was negligent regarding the design or manufacture of the part. Motorola and are registered trademarks of Motorola, Inc. Motorola, Inc. is an Equal Opportunity/Affirmative Action Employer.

How to reach us:

USA/EUROPE/Locations Not Listed: Motorola Literature Distribution; P.O. Box 20912; Phoenix, Arizona 85036. 1-800-441-2447 or 602-303-5454

JAPAN: Nippon Motorola Ltd.; Tatsumi-SPD-JLDC, 6F Seibu-Butsuryu-Center, 3-14-2 Tatsumi Koto-Ku, Tokyo 135, Japan. 03-81-3521-8315

MFAX: RMFAX0@email.sps.mot.com - TOUCHTONE 602-244-6609  
INTERNET: http://Design-NET.com

ASIA/PACIFIC: Motorola Semiconductors H.K. Ltd.; 8B Tai Ping Industrial Park, 51 Ting Kok Road, Tai Po, N.T., Hong Kong. 852-26629298

