

MC10ELT25, MC100ELT25

Differential ECL to TTL Translator

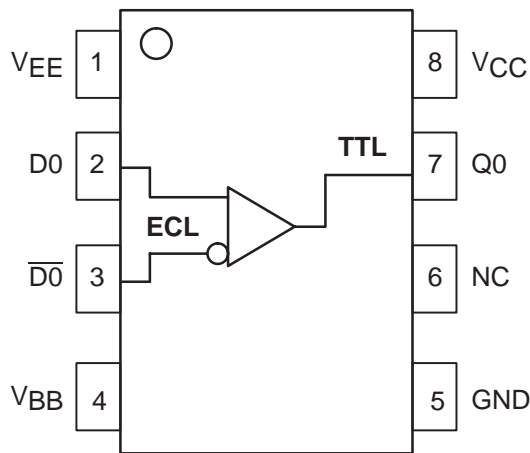
The MC10ELT/100ELT25 is a differential ECL to TTL translator. Because ECL levels are used a +5V, -5.2V (or -4.5V) and ground are required. The small outline 8-lead SOIC package and the single gate of the ELT25 makes it ideal for those applications where space, performance and low power are at a premium. Because the mature MOSAIC 1.5 process is used, low cost can be added to the list of features.

The V_{BB} output allows the ELT25 to also be used in a single-ended input mode. In this mode the V_{BB} output is tied to the \overline{IN} input for a non-inverting buffer or the IN input for an inverting buffer. If used the V_{BB} pin should be bypassed to ground via a 0.01 μ F capacitor.

The ELT25 is available in both ECL standards: the 10ELT is compatible with MECL 10H logic levels while the 100ELT is compatible with ECL 100K logic levels. For further information regarding modeling, refer to AN1596/D "ECLinPS Lite Translator ELT Family SPICE I/O Model Kit".

- 2.6ns Typical Propagation Delay
- Internal Input Resistors: Pulldown on D, Pulldown and Pullup on \overline{D}
- Q Output will default LOW with inputs open or at V_{EE}
- Differential ECL Inputs
- Small Outline SOIC Package
- 24mA TTL Outputs
- Flow Through Pinouts
- Moisture Sensitivity Level 1, Indefinite Time Out of Drypack.
For Additional Information, See Application Note AND8003/D
- Flammability Rating: UL-94 code V-0 @ 1/8",
Oxygen Index 28 to 34
- Transistor Count: 135 devices

LOGIC DIAGRAM AND PINOUT ASSIGNMENT



ON Semiconductor

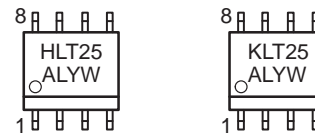
Formerly a Division of Motorola

<http://onsemi.com>



**SO-8
D SUFFIX
CASE 751**

MARKING DIAGRAM



H = MC10

K = MC100

A = Assembly Location

L = Wafer Lot

Y = Year

W = Work Week

*For additional information, see Application Note AND8002/D

PIN DESCRIPTION

PIN	FUNCTION
D	Diff ECL Inputs
Q	TTL Output
V_{CC}	Positive Supply
V_{EE}	Negative Supply
V_{BB}	Reference Output
GND	Ground

ORDERING INFORMATION

Device	Package	Shipping
MC10ELT25D	SO-8	98 Units / Rail
MC10ELT25DR2	SO-8	2500 Units / Reel
MC100ELT25D	SO-8	98 Units / Rail
MC100ELT25DR2	SO-8	2500 Units / Reel

MC10ELT25, MC100ELT25

MAXIMUM RATINGS*

Symbol	Parameter	Value	Unit
V _{CC}	DC Supply Voltage (Referenced to GND, V _{EE} = -5.2)	7.0	V
V _{EE}	DC Supply Voltage (Referenced to GND, V _{CC} = 5.0)	-8.0	V
V _{IN}	Input Voltage	0 to V _{CC}	V
I _{OUT}	Current Applied to Output in Low Output State Continuous Surge	50 100	mA
T _A	Operating Temperature Range (In Free-Air)	-40 to 85	°C
T _{STG}	Storage Temperature Range	-55 to +150	°C
θ _{JA}	Thermal Resistance (Junction-to-Ambient) Still Air 500lfpm	190 130	°C/W
θ _{JC}	Thermal Resistance (Junction-to-Case)	41 to 44 ± 5%	°C/W
T _{sol}	Solder Temperature (<2 to 3 Seconds: 245°C desired)	265	°C

* Maximum Ratings are those values beyond which damage to the device may occur. Functional operation should be restricted to the Recommended Operating Conditions.

TTL OUTPUT DC CHARACTERISTICS

(V_{CC} = 4.5V to 5.5V; V_{EE} = -4.2V to -5.5V 100ELT, -4.94V to -5.5V 10ELT; T_A = -40°C to 85°C)

Symbol	Characteristic	Min	Typ	Max	Unit	Condition
V _{OH}	Output HIGH Voltage	2.4			V	I _{OH} = -3.0mA
V _{OL}	Output LOW Voltage			0.5	V	I _{OL} = 24mA
I _{CCH}	Power Supply Current		11	16	mA	
I _{CCL}	Power Supply Current		13	18	mA	
I _{EE}	Power Supply Current		15	21	mA	
I _{OS}	Output Short Circuit Current	-150		-60	mA	

ECL INPUT DC CHARACTERISTICS

(V_{CC} = 4.5V to 5.5V; V_{EE} = -4.2V to -5.5V 100ELT, -4.94V to -5.5V 10ELT; T_A = -40°C to 85°C)

Symbol	Characteristic	-40°C		0°C		25°C			85°C		Unit	
		Min	Max	Min	Max	Min	Typ	Max	Min	Max		
I _{IH}	Input HIGH Current		150		150			150		150	μA	
I _{IL}	Input LOW Current	0.5		0.5		0.5			0.5		μA	
V _{CMR}	Common Mode Range	V _{EE} + 2.2	V _{CC}	V _{EE} + 2.2	V _{CC}	V _{EE} + 2.2		V _{CC}	V _{EE} + 2.2	V _{CC}	V	
V _{PP}	Minimum Peak-to-Peak Input ¹	200		200		200			200		mV	
V _{IH}	Input HIGH Voltage	10ELT 100ELT	-1230 -890 -1165	-1170 -840 -1165	-840 -880 -1165	-1130 -1130 -1165		-810 -880	-1060 -1165	-720 -880	mV	
V _{IL}	Input LOW Voltage	10ELT 100ELT	-1950 -1810	-1500 -1475	-1950 -1810	-1480 -1475	-1950 -1810		-1480 -1475	-1950 -1810	-1445 -1475	mV
V _{BB}	Reference Output	10ELT 100ELT	-1.43 -1.38	-1.30 -1.26	-1.38 -1.38	-1.27 -1.26	-1.35 -1.38		-1.25 -1.26	-1.31 -1.38	-1.19 -1.26	V

1. 200mV input guarantees full logic swing at the output.

AC CHARACTERISTICS

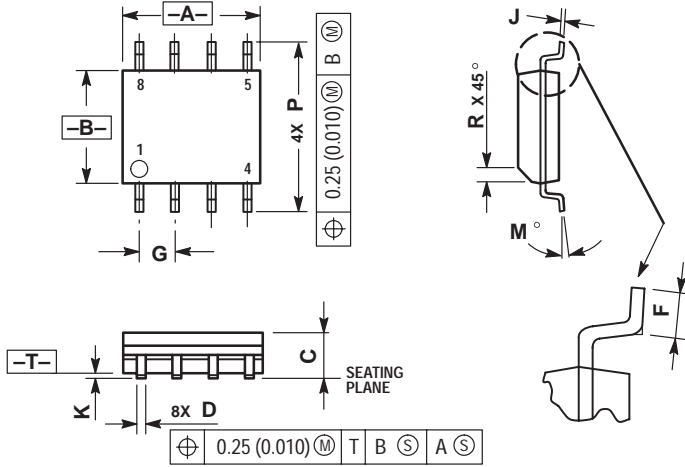
(V_{CC} = 4.5V to 5.5V; V_{EE} = -4.2V to -5.5V 100ELT, -4.94V to -5.5V 10ELT; T_A = -40°C to 85°C)

Symbol	Characteristic	-40°C		0°C		25°C			85°C		Unit	Condition
		Min	Max	Min	Max	Min	Typ	Max	Min	Max		
t _{PLH}	Propagation Delay	1.7	3.6	1.7	3.6	1.7		3.6	1.7	3.6	ns	C _L = 20pF
t _{PHL}	Propagation Delay	2.6	4.1	2.6	4.1	2.6		4.1	2.6	4.1	ns	C _L = 20pF

MC10ELT25, MC100ELT25

PACKAGE DIMENSIONS

SO-8
D SUFFIX
CASE 751-05
ISSUE P



NOTES:

1. DIMENSIONS A AND B ARE DATUMS AND T IS A DATUM SURFACE.
2. DIMENSIONING AND TOLERANCING PER ANSI Y14.5M, 1982.
3. DIMENSIONS ARE IN MILLIMETER.
4. DIMENSION A AND B DO NOT INCLUDE MOLD PROTRUSION.
5. MAXIMUM MOLD PROTRUSION 0.15 PER SIDE.
6. DIMENSION D DOES NOT INCLUDE MOLD PROTRUSION. ALLOWABLE DAMBAR PROTRUSION SHALL BE 0.127 TOTAL IN EXCESS OF THE D DIMENSION AT MAXIMUM MATERIAL CONDITION.

DIM	MILLIMETERS	
	MIN	MAX
A	4.80	5.00
B	3.80	4.00
C	1.35	1.75
D	0.35	0.49
F	0.40	1.25
G	1.27 BSC	
J	0.18	0.25
K	0.10	0.25
M	0°	7°
P	5.80	6.20
R	0.25	0.50

MC10ELT25, MC100ELT25

ON Semiconductor and  are trademarks of Semiconductor Components Industries, LLC (SCILLC). SCILLC reserves the right to make changes without further notice to any products herein. SCILLC makes no warranty, representation or guarantee regarding the suitability of its products for any particular purpose, nor does SCILLC assume any liability arising out of the application or use of any product or circuit, and specifically disclaims any and all liability, including without limitation special, consequential or incidental damages. "Typical" parameters which may be provided in SCILLC data sheets and/or specifications can and do vary in different applications and actual performance may vary over time. All operating parameters, including "Typicals" must be validated for each customer application by customer's technical experts. SCILLC does not convey any license under its patent rights nor the rights of others. SCILLC products are not designed, intended, or authorized for use as components in systems intended for surgical implant into the body, or other applications intended to support or sustain life, or for any other application in which the failure of the SCILLC product could create a situation where personal injury or death may occur. Should Buyer purchase or use SCILLC products for any such unintended or unauthorized application, Buyer shall indemnify and hold SCILLC and its officers, employees, subsidiaries, affiliates, and distributors harmless against all claims, costs, damages, and expenses, and reasonable attorney fees arising out of, directly or indirectly, any claim of personal injury or death associated with such unintended or unauthorized use, even if such claim alleges that SCILLC was negligent regarding the design or manufacture of the part. SCILLC is an Equal Opportunity/Affirmative Action Employer.

PUBLICATION ORDERING INFORMATION

NORTH AMERICA Literature Fulfillment:

Literature Distribution Center for ON Semiconductor
P.O. Box 5163, Denver, Colorado 80217 USA
Phone: 303-675-2175 or 800-344-3860 Toll Free USA/Canada
Fax: 303-675-2176 or 800-344-3867 Toll Free USA/Canada
Email: ONlit@hibbertco.com
Fax Response Line: 303-675-2167 or 800-344-3810 Toll Free USA/Canada

N. American Technical Support: 800-282-9855 Toll Free USA/Canada

EUROPE: LDC for ON Semiconductor – European Support

German Phone: (+1) 303-308-7140 (M-F 1:00pm to 5:00pm Munich Time)
Email: ONlit-german@hibbertco.com
French Phone: (+1) 303-308-7141 (M-F 1:00pm to 5:00pm Toulouse Time)
Email: ONlit-french@hibbertco.com
English Phone: (+1) 303-308-7142 (M-F 12:00pm to 5:00pm UK Time)
Email: ONlit@hibbertco.com

EUROPEAN TOLL-FREE ACCESS*: 00-800-4422-3781

*Available from Germany, France, Italy, England, Ireland

CENTRAL/SOUTH AMERICA:

Spanish Phone: 303-308-7143 (Mon-Fri 8:00am to 5:00pm MST)
Email: ONlit-spanish@hibbertco.com

ASIA/PACIFIC: LDC for ON Semiconductor – Asia Support

Phone: 303-675-2121 (Tue-Fri 9:00am to 1:00pm, Hong Kong Time)
Toll Free from Hong Kong & Singapore:
001-800-4422-3781
Email: ONlit-asia@hibbertco.com

JAPAN: ON Semiconductor, Japan Customer Focus Center
4-32-1 Nishi-Gotanda, Shinagawa-ku, Tokyo, Japan 141-8549

Phone: 81-3-5740-2745
Email: r14525@onsemi.com

ON Semiconductor Website: <http://onsemi.com>

For additional information, please contact your local Sales Representative.