

MC100EPT26

1:2 Fanout Differential LVPECL to LVTTTL Translator

The MC100EPT26 is a 1:2 Fanout Differential LVPECL to LVTTTL translator. Because LVPECL (Positive ECL) levels are used only +3.3V and ground are required. The small outline 8-lead SOIC package and the 1:2 fanout design of the EPT26 makes it ideal for applications which require the low skew duplication of a signal in a tightly packed PC board.

The VBB output allows the EPT26 to be used in a single-ended input mode. In this mode the VBB output is tied to the $\overline{D0}$ input for a non-inverting buffer or the D0 input for an inverting buffer. If used, the VBB pin should be bypassed to ground via a 0.01 μ F capacitor.

- 1.4ns Typical Propagation Delay
- 275MHz Fmax (Clock bit stream, not pseudo-random)
- Differential LVPECL inputs
- Small Outline SOIC Package
- 24mA TTL outputs
- Flowthrough Pinouts
- ESD Protection: >2KV HBM, >100V MM
- Internal Input Resistors: Pulldown on D, Pulldown and Pullup on \overline{D}
- Q Outputs will default LOW with inputs open or at V_{EE}
- VBB Output
- New Differential Input Common Mode Range
- Moisture Sensitivity Level 1, Indefinite Time Out of Drypack.
For Additional Information, See Application Note AND8003/D
- Flammability Rating: UL-94 code V-0 @ 1/8",
Oxygen Index 28 to 34
- Transistor Count = 117 devices

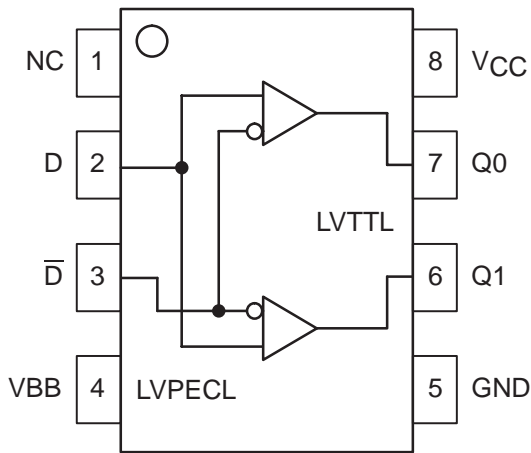


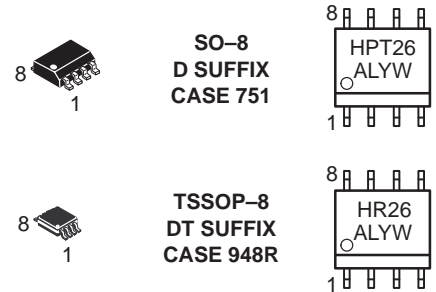
Figure 1. 8-Lead Pinout (Top View) and Logic Diagram



ON Semiconductor

<http://onsemi.com>

MARKING DIAGRAMS*



A = Assembly Location
L = Wafer Lot
Y = Year
W = Work Week

*For additional information, see Application Note AND8002/D

PIN DESCRIPTION

PIN	FUNCTION
Q0, Q1	LVTTTL Outputs
D, \overline{D}	Differential LVPECL Input Pair
VCC	Positive Supply
VBB	Reference Voltage
GND	Ground

ORDERING INFORMATION

Device	Package	Shipping
MC100EPT26D	SO-8	98 Units / Rail
MC100EPT26DR2	SO-8	2500 / Reel
MC100EPT26DT	TSSOP-8	98 Units / Rail
MC100EPT26DTR2	TSSOP-8	2500 / Reel

MC100EPT26

MAXIMUM RATINGS*

Symbol	Parameter	Value	Unit
V_{CC}	Power Supply (GND = 0V)	0 to 3.8	VDC
V_I	Input Voltage (GND = 0V, V_I not more positive than V_{CC})	0 to 3.8	VDC
I_{out}	Output Current Continuous Surge	50 100	mA
I_{BB}	V_{BB} Sink/Source Current†	± 0.5	mA
T_A	Operating Temperature Range	-40 to +85	°C
T_{stg}	Storage Temperature	-65 to +150	°C
θ_{JA}	Thermal Resistance (Junction-to-Ambient) Still Air 500lfpm	190 130	°C/W
θ_{JC}	Thermal Resistance (Junction-to-Case)	41 to 44 ± 5%	°C/W
T_{sol}	Solder Temperature (<2 to 3 Seconds: 245°C desired)	265	°C

* Maximum Ratings are those values beyond which damage to the device may occur.

† Use for inputs of same package only.

DC CHARACTERISTICS ($V_{CC} = 3.3V \pm 0.3V$; GND = 0V; $T_A = -40^\circ\text{C}$ to 85°C)

Symbol	Characteristic	Min	Typ	Max	Unit
I_{CCH}	Power Supply Current (Outputs set to HIGH)	10	20	18	mA
I_{CCL}	Power Supply Current (Outputs set to LOW)	15	28	35	mA
V_{IH}	Input HIGH Voltage ($V_{CC} = 3.3$) (Note 1.)	2135		2420	mV
V_{IL}	Input LOW Voltage ($V_{CC} = 3.3$) (Note 1.)	1490		1825	mV
I_{IH}	Input HIGH Current			150	μA
I_{IL}	Input LOW Current	$\frac{D}{D}$ -150		0.5	μA
V_{OH}	Output HIGH Voltage ($I_{OH} = -3.0\text{mA}$) (Note 2.)	2.4			V
V_{OL}	Output LOW Voltage ($I_{OL} = 24\text{mA}$) (Note 2.)			0.5	V
I_{OS}	Output Short Circuit Current	-50		-150	mA
V_{IHCMR}	Input HIGH Voltage Common Mode Range (Note 3.)	2.0		3.3	V
V_{BB}	Output Voltage Reference		2.0		V

NOTE: 100EP circuits are designed to meet the DC specifications shown in the above table after thermal equilibrium has been established. The circuit is in a test socket or mounted on a printed circuit board and transverse airflow greater than 500lfpm is maintained.

1. All values vary 1:1 with V_{CC} .
2. All loading with 500 ohms to GND, $CL = 20\text{pF}$.
3. V_{IHCMR} min varies 1:1 with GND, max varies 1:1 with V_{CC} .

AC CHARACTERISTICS ($V_{CC} = 3.3V \pm 0.3V$; GND = 0V)

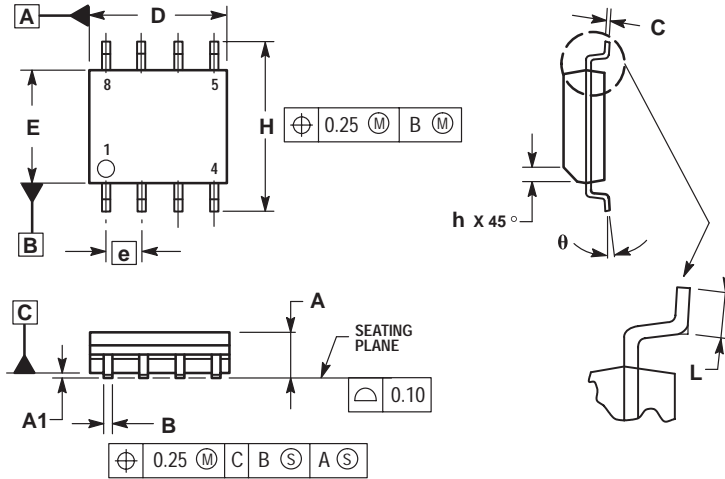
Symbol	Characteristic	-40°C			25°C			85°C			Unit
		Min	Typ	Max	Min	Typ	Max	Min	Typ	Max	
f_{max}	Maximum Toggle Frequency (Note 4.)	275	350		275	350		275	350		MHz
t_{PLH} , t_{PHL}	Propagation Delay to Output Differential (Note 5.)	1.2	1.5	1.8	1.2	1.5	1.8	1.3	1.7	2.2	ns
$t_{SK+ +}$, $t_{SK- -}$, t_{SKPP}	Output-to-Output Skew++ Output-to-Output Skew-- Part-to-Part Skew (Note 6.)		60 25 500			60 25 500			60 25 500		ps
t_{JITTER}	Cycle-to-Cycle Jitter		TBD			TBD			TBD		ps
V_{PP}	Input Voltage Swing (Diff.)	150	800	1200	150	800	1200	150	800	1200	mV
t_r , t_f	Output Rise/Fall Times (0.8V – 2.0V) Q, \bar{Q}	330	600	900	330	600	900	330	650	900	ps

4. F_{max} guaranteed for functionality only. V_{OL} and V_{OH} levels are guaranteed at DC only.
5. Reference ($V_{CC} = 3.3V \pm 5\%$, GND = 0V)
6. Skews are measured between outputs under identical transitions.

MC100EPT26

PACKAGE DIMENSIONS

SO-8
D SUFFIX
PLASTIC SOIC PACKAGE
CASE 751-06
ISSUE T



NOTES:

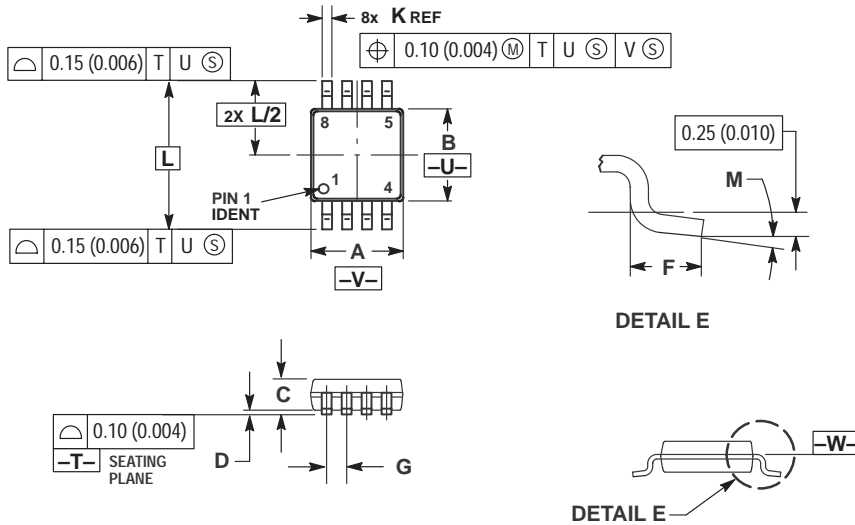
1. DIMENSIONING AND TOLERANCING PER ASME Y14.5M, 1994.
2. DIMENSIONS ARE IN MILLIMETER.
3. DIMENSION D AND E DO NOT INCLUDE MOLD PROTRUSION.
4. MAXIMUM MOLD PROTRUSION 0.15 PER SIDE.
5. DIMENSION B DOES NOT INCLUDE DAMBAR PROTRUSION. ALLOWABLE DAMBAR PROTRUSION SHALL BE 0.127 TOTAL IN EXCESS OF THE B DIMENSION AT MAXIMUM MATERIAL CONDITION.

DIM	MILLIMETERS	
	MIN	MAX
A	1.35	1.75
A1	0.10	0.25
B	0.35	0.49
C	0.19	0.25
D	4.80	5.00
E	3.80	4.00
e	1.27 BSC	
H	5.80	6.20
h	0.25	0.50
L	0.40	1.25
θ	0°	7°

MC100EPT26

PACKAGE DIMENSIONS

TSSOP-8
DT SUFFIX
PLASTIC TSSOP PACKAGE
CASE 948R-02
ISSUE A



NOTES:

1. DIMENSIONING AND TOLERANCING PER ANSI Y14.5M, 1982.
2. CONTROLLING DIMENSION: MILLIMETER.
3. DIMENSION A DOES NOT INCLUDE MOLD FLASH. PROTRUSIONS OR GATE BURRS. MOLD FLASH OR GATE BURRS SHALL NOT EXCEED 0.15 (0.006) PER SIDE.
4. DIMENSION B DOES NOT INCLUDE INTERLEAD FLASH OR PROTRUSION. INTERLEAD FLASH OR PROTRUSION SHALL NOT EXCEED 0.25 (0.010) PER SIDE.
5. TERMINAL NUMBERS ARE SHOWN FOR REFERENCE ONLY.
6. DIMENSION A AND B ARE TO BE DETERMINED AT DATUM PLANE -W-.

DIM	MILLIMETERS		INCHES	
	MIN	MAX	MIN	MAX
A	2.90	3.10	0.114	0.122
B	2.90	3.10	0.114	0.122
C	0.80	1.10	0.031	0.043
D	0.05	0.15	0.002	0.006
F	0.40	0.70	0.016	0.028
G	0.65 BSC		0.026 BSC	
K	0.25	0.40	0.010	0.016
L	4.90 BSC		0.193 BSC	
M	0°	6°	0°	6°

ON Semiconductor and are trademarks of Semiconductor Components Industries, LLC (SCILLC). SCILLC reserves the right to make changes without further notice to any products herein. SCILLC makes no warranty, representation or guarantee regarding the suitability of its products for any particular purpose, nor does SCILLC assume any liability arising out of the application or use of any product or circuit, and specifically disclaims any and all liability, including without limitation special, consequential or incidental damages. "Typical" parameters which may be provided in SCILLC data sheets and/or specifications can and do vary in different applications and actual performance may vary over time. All operating parameters, including "Typicals" must be validated for each customer application by customer's technical experts. SCILLC does not convey any license under its patent rights nor the rights of others. SCILLC products are not designed, intended, or authorized for use as components in systems intended for surgical implant into the body, or other applications intended to support or sustain life, or for any other application in which the failure of the SCILLC product could create a situation where personal injury or death may occur. Should Buyer purchase or use SCILLC products for any such unintended or unauthorized application, Buyer shall indemnify and hold SCILLC and its officers, employees, subsidiaries, affiliates, and distributors harmless against all claims, costs, damages, and expenses, and reasonable attorney fees arising out of, directly or indirectly, any claim of personal injury or death associated with such unintended or unauthorized use, even if such claim alleges that SCILLC was negligent regarding the design or manufacture of the part. SCILLC is an Equal Opportunity/Affirmative Action Employer.

PUBLICATION ORDERING INFORMATION

NORTH AMERICA Literature Fulfillment:

Literature Distribution Center for ON Semiconductor
P.O. Box 5163, Denver, Colorado 80217 USA
Phone: 303-675-2175 or 800-344-3860 Toll Free USA/Canada
Fax: 303-675-2176 or 800-344-3867 Toll Free USA/Canada
Email: ONlit@hibbertco.com
Fax Response Line: 303-675-2167 or 800-344-3810 Toll Free USA/Canada

N. American Technical Support: 800-282-9855 Toll Free USA/Canada

EUROPE: LDC for ON Semiconductor – European Support

German Phone: (+1) 303-308-7140 (M-F 1:00pm to 5:00pm Munich Time)
Email: ONlit-german@hibbertco.com
French Phone: (+1) 303-308-7141 (M-F 1:00pm to 5:00pm Toulouse Time)
Email: ONlit-french@hibbertco.com
English Phone: (+1) 303-308-7142 (M-F 12:00pm to 5:00pm UK Time)
Email: ONlit@hibbertco.com

EUROPEAN TOLL-FREE ACCESS*: 00-800-4422-3781

*Available from Germany, France, Italy, England, Ireland

CENTRAL/SOUTH AMERICA:

Spanish Phone: 303-308-7143 (Mon-Fri 8:00am to 5:00pm MST)
Email: ONlit-spanish@hibbertco.com

ASIA/PACIFIC: LDC for ON Semiconductor – Asia Support

Phone: 303-675-2121 (Tue-Fri 9:00am to 1:00pm, Hong Kong Time)
Toll Free from Hong Kong & Singapore:
001-800-4422-3781
Email: ONlit-asia@hibbertco.com

JAPAN: ON Semiconductor, Japan Customer Focus Center

4-32-1 Nishi-Gotanda, Shinagawa-ku, Tokyo, Japan 141-0031
Phone: 81-3-5740-2745
Email: r14525@onsemi.com

ON Semiconductor Website: <http://onsemi.com>

For additional information, please contact your local Sales Representative.