



LCD Module Technical Specification

First Edition
May 16, 2002

Final Revision

Type No. **F-51320GNF-S-AD**

Approved by (Production Div.)

Checked by (Quality Assurance Div.)

Checked by (Design Engineering Div.)

Prepared by (Production Div.)

Table of Contents

1. General Specifications	2
2. Electrical Specifications	3
3. Optical Specifications	12
4. I/O Terminal	14
5. Test	17
6. Appearance Standards	18
7. Code System of Production Lot	21
8. Type Number	21
9. Applying Precautions	21
10. Precautions Relating Product Handling	22
11. Warranty	23

Revision History

Rev.	Date	Page	Comment

1.General Specifications

Operating Temp.	:	min. 0°C ~max. 50°C
Storage Temp.	:	min. -20°C ~max. 70°C
Dot Pixels	:	128 (W) × 64 (H) dots
Dot Size	:	0.48 (W) × 0.48 (H) mm
Dot Pitch	:	0.50 (W) × 0.50 (H) mm
Viewing Area	:	68.0 (W) × 36.5 (H) mm
Outline Dimensions	:	74.0* (W) × 47.5** (H) × (1.9) max. (D) mm * Without Area of Injection Port **Without FPCUV and FPC
Weight	:	17.2g max.
LCD Type	:	NSD-20635 (F-STN / Black & White-mode / Transflective)
Viewing Angle	:	6:00
Data Transfer	:	8-bit parallel data transfer
Backlight	:	None
Drawings	:	Dimensional Outline UE-311213A

2. Electrical Specifications

2.1. Absolute Maximum Ratings

GND=0V

Parameter	Symbol	Conditions	Min.	Max.	Units
Supply Voltage (Logic)	V _{DD-GND}	-	-0.3	7.0	V
Supply Voltage (Booster Circuit)	V _{DD-GND}	With Triple (In case of 5V)	-6.0	+0.3	V
		With Quad (In case of 3V)	-4.5	+0.3	
Supply Voltage 1 (LCD Drive)	V _S , V _{OUT}		-18.0	+0.3	V
Input Voltage	V _{IN}	-	-0.3	V _{DD} +0.3	V

2.2. DC Characteristics

T_a=25°C, GND=0V

Parameter	Symbol	Conditions	Min.	Typ.	Max.	Units
Supply Voltage (Logic)	V _{DD-GND}	With Triple	4.5	-	5.5	V
		With Quad	2.8	-	3.2	
Supply Voltage (LCD Drive)	V _{DD-V_S}	Shown in 3.1				V
"High" Level Input Voltage	V _{IH}	-	0.8×V _{DD}	-	V _{DD}	V
"Low" Level Input Voltage	V _{IL}	-	GND	-	0.2×V _{DD}	V
"High" Level Output Voltage	V _{OH}	I _{OH} =-0.1mA	0.8×V _{DD}	-	V _{DD}	V
"Low" Level Output Voltage	V _{OL}	I _{OL} =0.1mA	GND	-	0.2×V _{DD}	V
Supply Current	I _{DD}	V _{DD-GND} =5.0V	-	1.18	1.77	mA

2.3.AC Characteristics

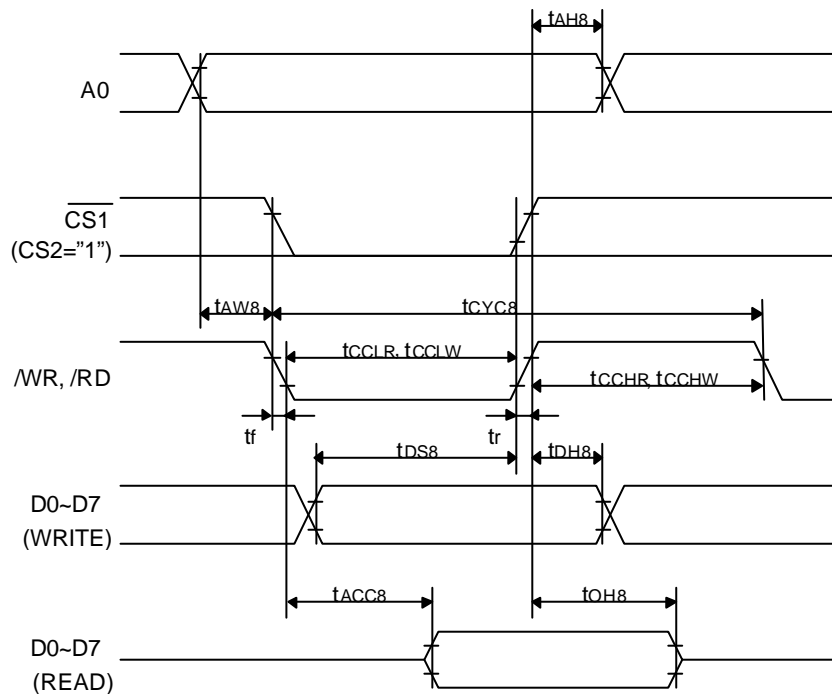
2.3.1.Read/Write Operation Sequence (80 series CPU)

$V_{DD}=5.0V\pm 10\%$

Parameter		Symbol	Min.	Max.	Units
Address Setup Time		t_{AW8}	0	-	ns
Address Hold Time		t_{AH8}	0	-	ns
System Cycle Time		t_{CYC8}	166	-	ns
Control Low Pulse Width	WRITE	t_{CCLW}	30	-	ns
	READ	t_{CCLR}	70	-	ns
Control High Pulse Width	WRITE	t_{CCHW}	30	-	ns
	READ	t_{CCHR}	30	-	ns
Data Setup Time		t_{DS8}	30	-	ns
Data Hold Time		t_{DH8}	10	-	ns
RD Access Time		t_{ACC8}	-	70	ns
Output Disable Time		t_{OH8}	5	50	ns

$V_{DD}=2.7\sim 4.5V$

Parameter		Symbol	Min.	Max.	Units
Address Setup Time		t_{AW8}	0	-	ns
Address Hold Time		t_{AH8}	0	-	ns
System Cycle Time		t_{CYC8}	300	-	ns
Control Low Pulse Width	WRITE	t_{CCLW}	60	-	ns
	READ	t_{CCLR}	120	-	ns
Control High Pulse Width	WRITE	t_{CCHW}	60	-	ns
	READ	t_{CCHR}	60	-	ns
Data Setup Time		t_{DS8}	40	-	ns
Data Hold Time		t_{DH8}	15	-	ns
\overline{RD} Access Time		t_{ACC8}	-	140	ns
Output Disable Time		t_{OH8}	10	100	ns



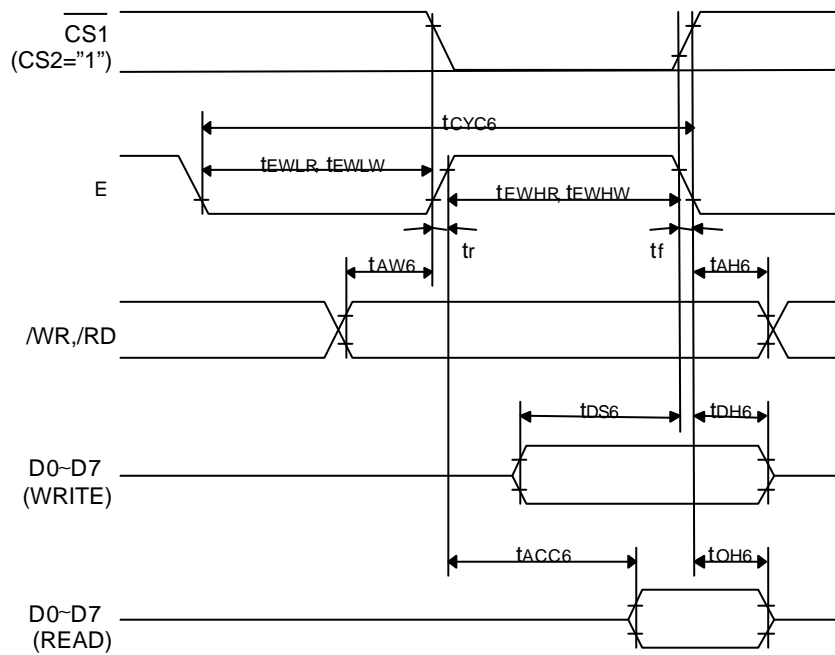
2.3.2. Read/Write Operation Sequence (68 series CPU)

$V_{DD}=5.0V\pm 10\%$

Parameter	Symbol	Min.	Max.	Units	
Address Setup Time	t_{AH6}	0	-	ns	
Address Hold Time	t_{AW6}	0	-	ns	
System Cycle Time	t_{CYC6}	166	-	ns	
Data Setup Time	t_{DS6}	30	-	ns	
Data Hold Time	t_{DH6}	10	-	ns	
Access Time (CL=100pF)	t_{ACC6}	-	70	ns	
Output Disable Time	t_{OH6}	10	50	ns	
Enable High Pulse Width	READ	t_{EWHR}	70	-	ns
	WRITE	t_{EWHW}	30	-	ns
Enable Low Pulse Width	READ	t_{EWLR}	30	-	ns
	WRITE	t_{EWLW}	30	-	ns

$V_{DD}=2.7\sim 4.5V$

Parameter	Symbol	Min.	Max.	Units	
Address Setup Time	t_{AH6}	0	-	ns	
Address Hold Time	t_{AW6}	0	-	ns	
System Cycle Time	t_{CYC6}	300	-	ns	
Data Setup Time	t_{DS6}	40	-	ns	
Data Hold Time	t_{DH6}	15	-	ns	
Access Time (CL=100pF)	t_{ACC6}	-	140	ns	
Output Disable Time	t_{OH6}	10	100	ns	
Enable High Pulse Width	READ	t_{EWHR}	120	-	ns
	WRITE	t_{EWHW}	60	-	ns
Enable Low Pulse Width	READ	t_{EWLR}	60	-	ns
	WRITE	t_{EWLW}	60	-	ns



2.3.3. Display Control Timing Characteristics

Reset Input Timing

$V_{DD}=5.0\pm 10\%$

Parameter	Symbol	Min.	Typ.	Max.	Units
Reset time	t_R	-	-	0.5	μs
Reset "L" Pulse Width	t_{RW}	0.5	-	-	

Reset Input Timing

$V_{DD}=2.7\sim 4.5V$

Parameter	Symbol	Min.	Typ.	Max.	Units
Reset time	t_R	-	-	1	μs
Reset "L" Pulse Width	t_{RW}	1	-	-	

Output Timing

$V_{DD}=5.0\pm 10\%$

Parameter	Symbol	Min.	Typ.	Max.	Units
FR Delay Time	t_{DFR}	-	10	40	ns

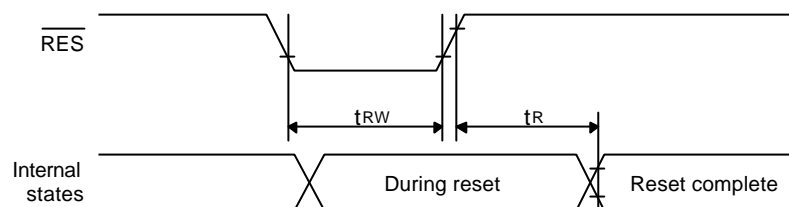
Output Timing

$V_{DD}=2.7\sim 4.5V$

Parameter	Symbol	Min.	Typ.	Max.	Units
FR Delay Time	t_{DFR}	-	20	80	ns

Note 1 :Valid only when the master mode is selected.

Note 2:All timing is based on 20% and 80% of V_{SS} .

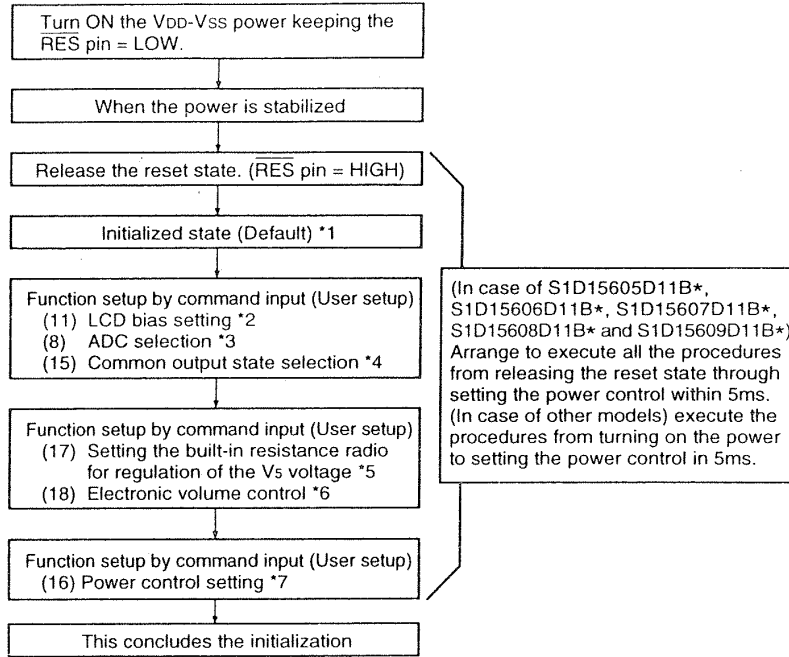


Instruction Setup: Reference (reference)

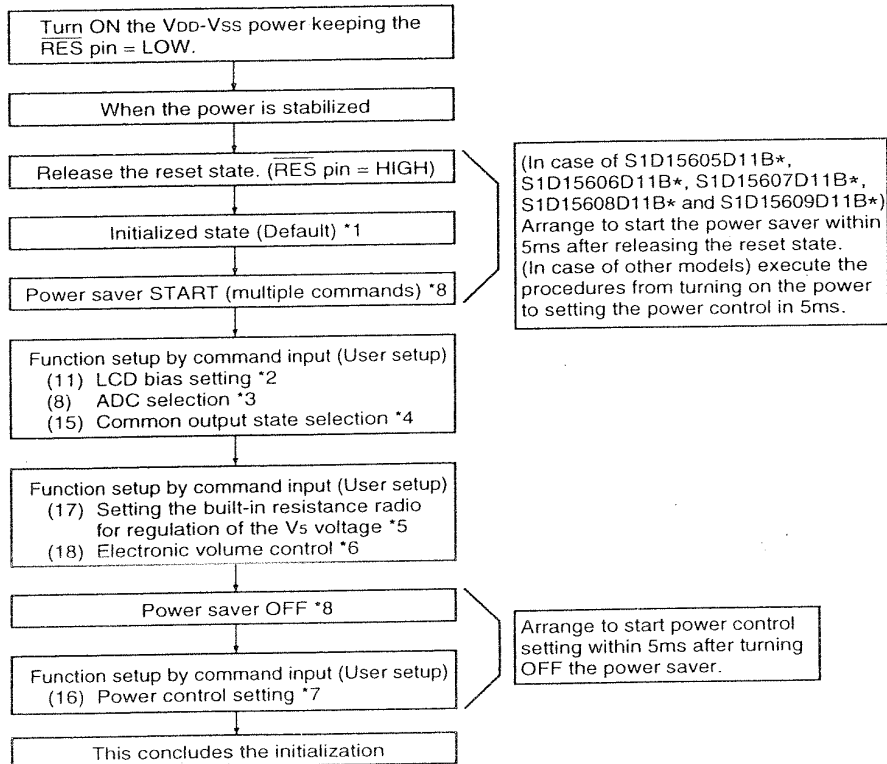
(1) Initialization

Note: With this IC, when the power is applied, LCD driving non-selective potentials V₂ and V₃ (SEG pin) and V₁ and V₄ (COM pin) are output through the LCD driving output pins SEG and COM. When electric charge is remaining in the smoothing capacitor connecting between the LCD driving voltage output pins (V₁ ~ V₅) and the V_{DD} pin, the picture on the display may become totally dark instantaneously when the power is turned on. To avoid occurrence of such a failure, we recommend the following flow when turning on the power.

① When the built-in power is being used immediately after turning on the power:



② When the built-in power is not being used immediately after turning on the power:

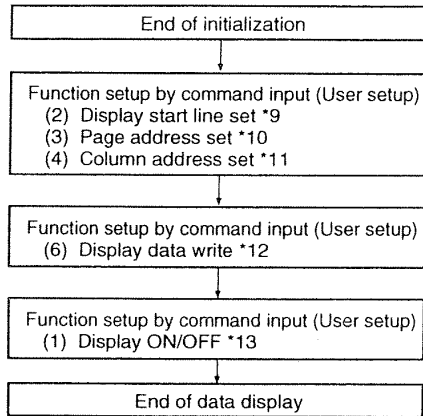


* The target time of 5ms will result to vary depending on the panel characteristics and the capacitance of the smoothing capacitor. Therefore, we suggest you to conduct an operation check using the actual equipment.

Notes: Refer to respective sections or paragraphs listed below.

- *1: 6. Description of functions; "Resetting circuit" (The contents of DDRAM can be variable even in the initial setting (Default) at the reset state.)
- *2: 7. Command description; "(11) LCD bias setting"
- *3: 7. Command description; "(8) ADC selection"
- *4: 7. Command description; "(15) Common output state selection"
- *5: 6. Description of functions; "Power circuit" & "(17) Command description; Setting the built-in resistance ratio for regulation of the V5 voltage"
- *6: 6. Description of functions; "Power circuit" & "(18) Command description; Electronic volume control"
- *7: 6. Description of functions; "Power circuit" & "(16) Command description; Power control setting"
- *8: 7. The power saver ON state can either be in sleep state or stand-by state.
Command description; "Power saver START (multiple commands)"

(2) Data Display

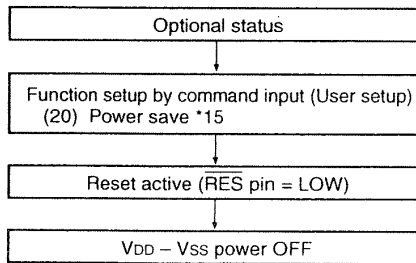


Notes: Reference items

- *9: Command Description; Display start line set
- *10: Command Description; Page address set
- *11: Command Description; Column address set
- *12: Command Description; Display data write
- *13: Command Description; Display ON/OFF
Avoid displaying all the data at the data display start (when the display is ON) in white.

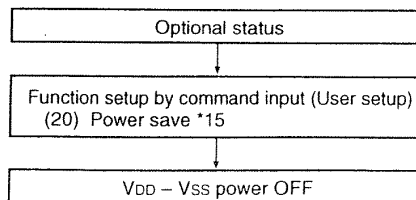
(3) Power OFF *14

- In case of S1D15605D11B*, S1D15606D11B*, S1D15607D11B*, S1D15608D11B* and S1D15609D11B*,



Set the time (t_L) from reset active to turning off the VDD - VSS power (VDD - VSS = 1.8 V) longer than the time (t_H) when the potential of V5 ~ V1 becomes below the threshold voltage (approximately 1 V) of the LCD panel. For t_H , refer to the <Reference Data> of this event. When t_H is too long, insert a resistor between V5 and VDD to reduce it.

- In case of other models,



Set the time (t_L) from power save to turning off the VDD - VSS power (VDD - VSS = 1.8 V) longer than the time (t_H) when the potential of V5 ~ V1 becomes below the threshold voltage (approximately 1V) of the LCD panel.

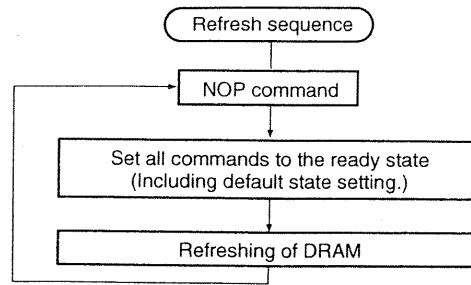
- t_H is determined depending on the voltage regulator external resistors Ra and Rb and the time constant of V5 ~ V1 smoothing capacity C2.
- When an internal resistor is used, it is recommended to insert a resistor R between VDD and V5 to reduce t_H .

Notes: Reference items

- *14: The logic circuit of this IC's power supply VDD - VSS controls the driver of the LCD power supply VDD - V5. So, if the power supply VDD - VSS is cut off when the LCD power supply VDD - V5 has still any residual voltage, the driver (COM. SEG) may output any uncontrolled voltage. When turning off the power, observe the following basic procedures:
 - After turning off the internal power supply, make sure that the potential V5 ~ V1 has become below the threshold voltage of the LCD panel, and then turn off this IC's power supply (VDD - VSS).
6. Description of Function, 6.7 Power Circuit
- *15: After inputting the power save command, be sure to reset the function using the RES terminal until the power supply VDD - VSS is turned off. 7. Command Description (20) Power Save
- *16: After inputting the power save command, do not reset the function using the RES terminal until the power supply VDD - VSS is turned off. 7. Command Description (20) Power Save

(4) Refresh

It is recommended that the operating modes and display contents be refreshed periodically to prevent the effect of unexpected noise.



3.Optical Specifications

3.1.LCD Driving Voltage

Parameter	Symbol	Conditions	Min.	Typ.	Max.	Units
Recommended LCD Driving Voltage Note 1	$V_{DD}-V_5$	Ta= 0°C	-	-	9.5	V
		Ta=25°C	8.3	8.9	9.5	V
		Ta=50°C	8.0	-	-	V

Note 1 : Voltage (Applied actual waveform to LCD Module) for the best contrast. The range of minimum and maximum shows tolerance of the operating voltage. The specified contrast ratio and response time are not guaranteed over the entire range.

3.2.Optical Characteristics

Ta=25°C, 1/65 Duty, 1/7 Bias, $V_{OD}=8.9V$ (Note 4), $\theta= 0^\circ$, $\phi=-^\circ$

Parameter	Symbol	Conditions	Min.	Typ.	Max.	Units
Contrast Ratio Note 1	CR	$\theta= 0^\circ, \phi=-^\circ$	-	4.5	-	
Viewing Angle		Shown in 3.3				
Response Time	Rise Note 2	T_{ON}	-	205	310	ms
	Decay Note 3	T_{OFF}	-	100	200	ms

Note 1 :Contrast ratio is defined as follows.(CR = L_{OFF} / L_{ON})

L_{ON} : Luminance of the ON segments

L_{OFF} : Luminance of the OFF segments

Mesuring Spot=3.0mm

Note 2 :The time that the luminance level reaches 90% of the saturation level from 0% when ON signal is applied.

Note 3 :The time that the luminance level reaches 10% of the saturation level from 100% when OFF signal is applied.

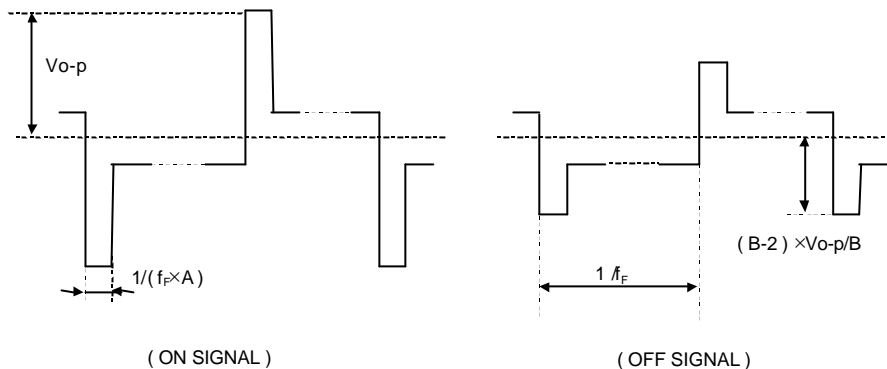
Note 4 :Definition of Driving Voltage V_{OD}

Assuming that the typical driving waveforms shown below are applied to the LCD Panel at 1/A Duty - 1/B Bias (A: Duty Number, B: Bias Number). Driving voltage V_{OD} is defined as follows.

$$V_{OD} = (V_{th1}+V_{th2}) / 2$$

V_{th1} : The voltage V_{O-P} that should provide 70% of the saturation level in the luminance at the segment which the ON signal is applied to.

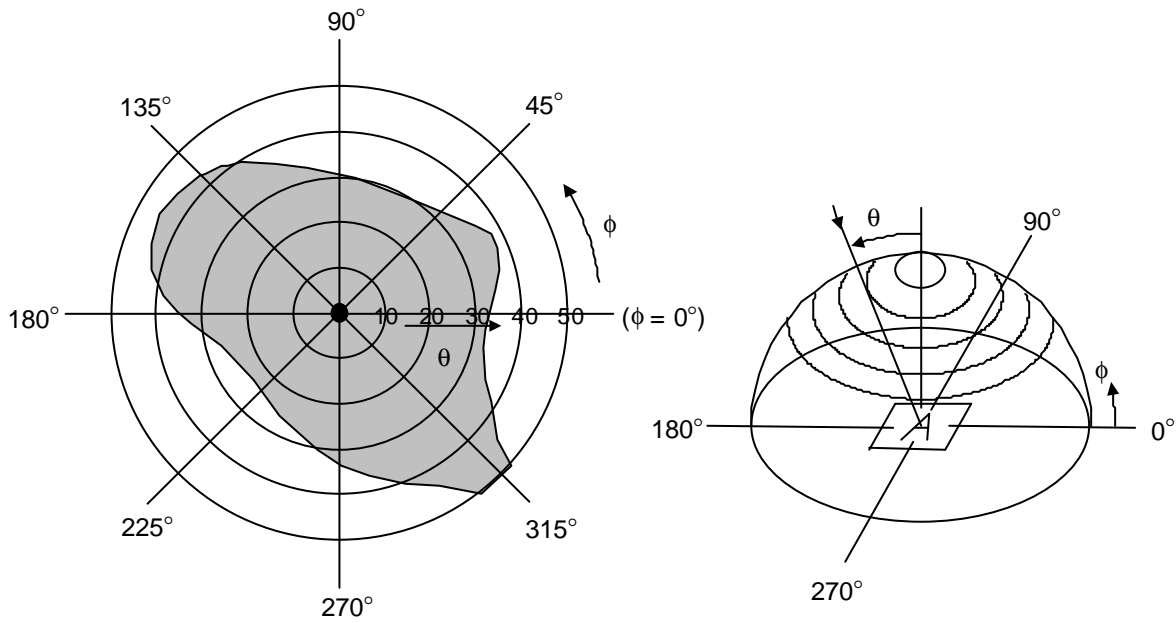
V_{th2} : The voltage V_{O-P} that should provide 20% of the saturation level in the luminance at the segment which the OFF signal is applied to.



3.3. Definition of Viewing Angle and Optimum Viewing Area

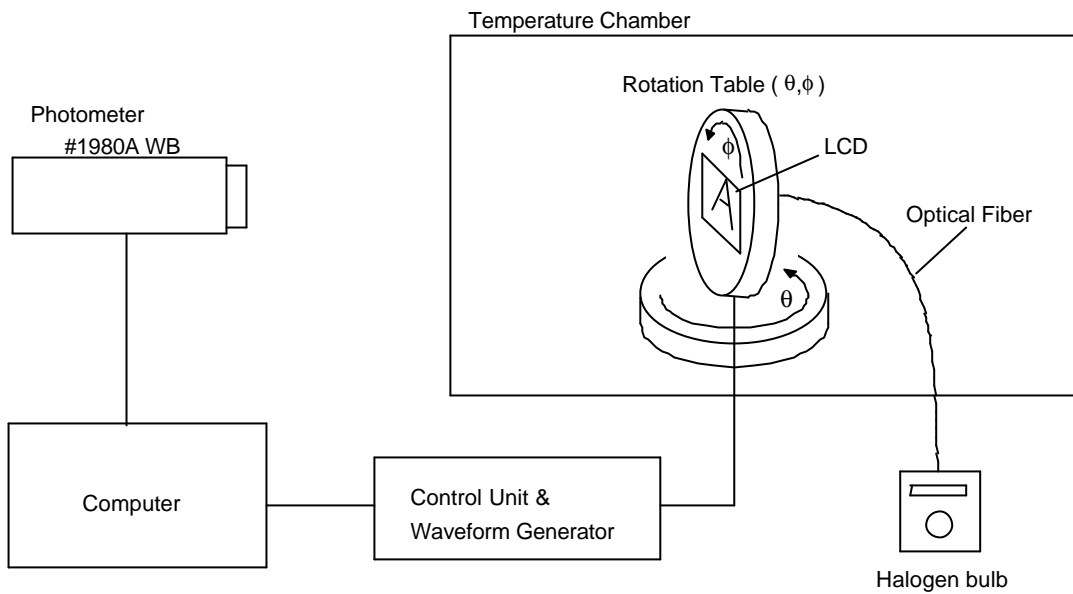
*Point ● shows the point where contrast ratio is measured. : $\theta = 0^\circ$, $\phi = 0^\circ$

*Driving condition : 1/65 Duty, 1/7 Bias, $V_{OD}=8.9V$, $f_F=80Hz$



*Area  shows typ. CR \geq 2 (Measuring Spot=3.0mm)

3.4. System Block Diagram



4.I/O Terminal

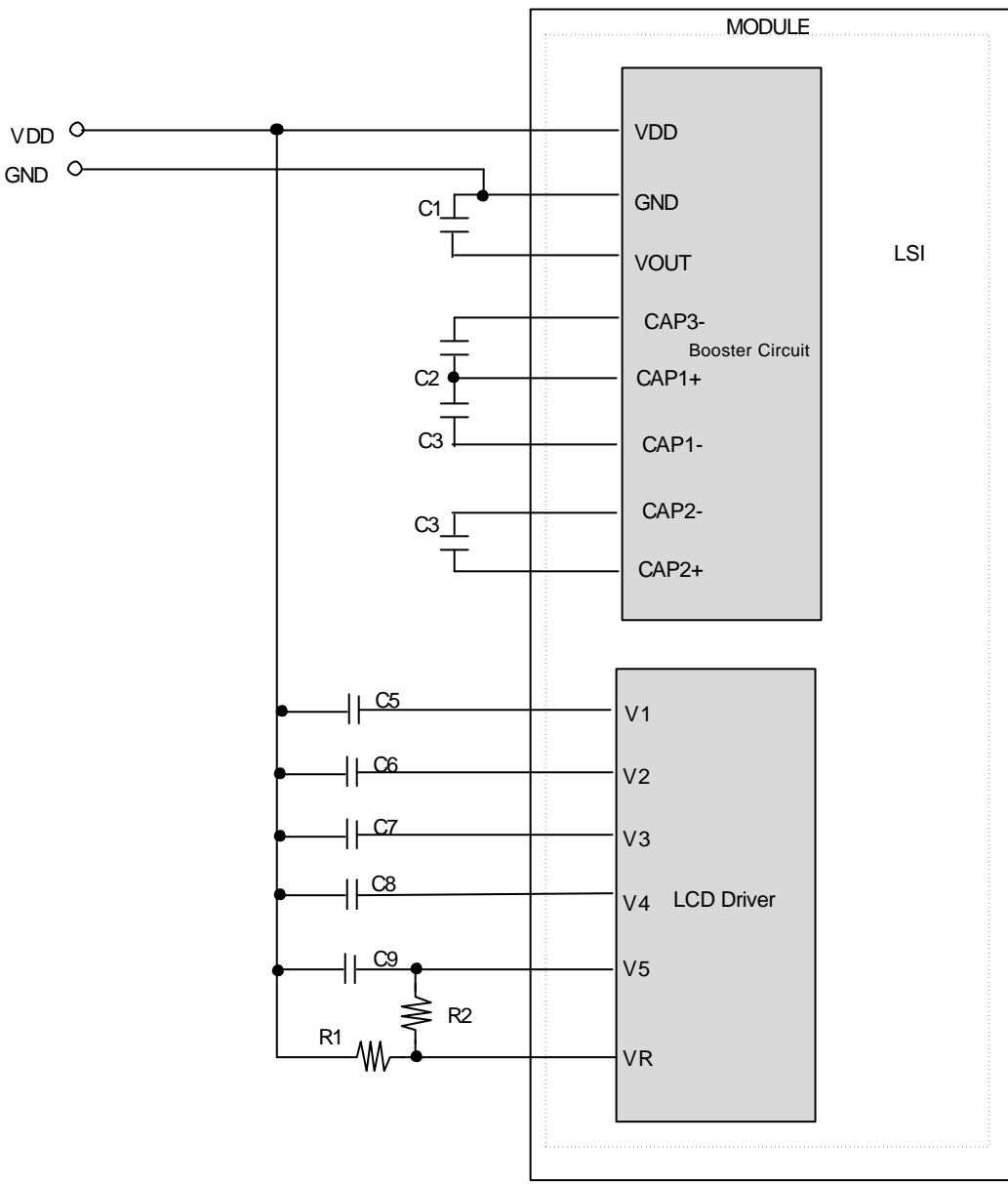
4.1.Pin Assignment

CN1

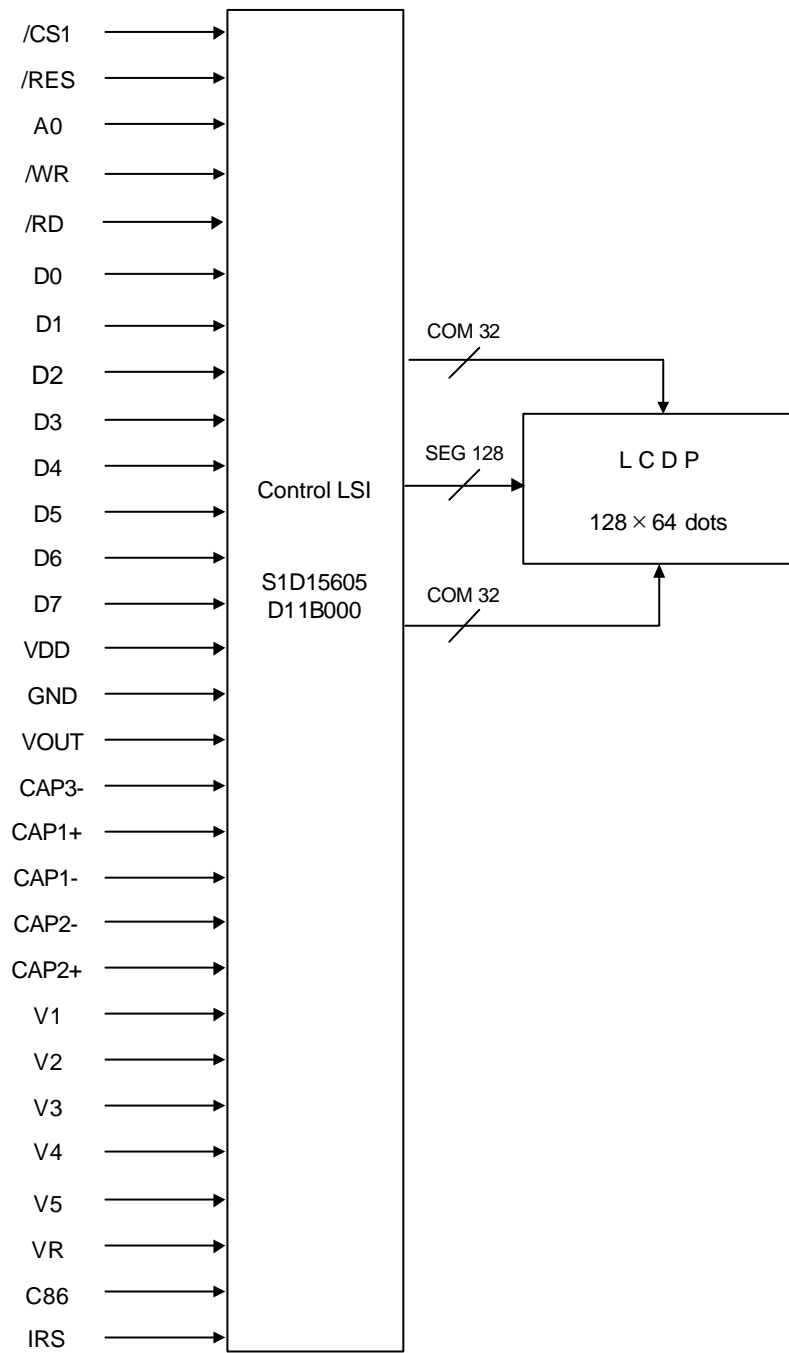
No.	Symbol	Function
1	NC	Non-connection
2	/CS1	Chip Select Signal L : Active
3	/RES	Reset Signal L : Reset
4	A0	H : D0~D7 are Display Data L : D0~D7 are Instructions
5	/WR	Write Signal L : Active
6	/RD	Read Signal L : Active
7	D0	Data Bus Line
8	D1	Data Bus Line
9	D2	Data Bus Line
10	D3	Data Bus Line
11	D4	Data Bus Line
12	D5	Data Bus Line
13	D6	Data Bus Line
14	D7	Data Bus Line
15	V _{DD}	Power Supply for Logic
16	GND	Power Supply (0V, GND)
17	V _{OUT}	DC/DC Voltage Converter Output
18	CAP3-	DC/DC Voltage Converter Capacitor 3 Negative Connection
19	CAP1+	DC/DC Voltage Converter Capacitor 1 Positive Connection
20	CAP1-	DC/DC Voltage Converter Capacitor 1 Negative Connection
21	CAP2-	DC/DC Voltage Converter Capacitor 2 Negative Connection
22	CAP2+	DC/DC Voltage Converter Capacitor 2 Positive Connection
23	V ₁	Power Supply for LCD Drive V ₁ = 1/7, V ₅
24	V ₂	Power Supply for LCD Drive V ₂ = 2/7, V ₅
25	V ₃	Power Supply for LCD Drive V ₃ = 5/7, V ₅
26	V ₄	Power Supply for LCD Drive V ₄ = 6/7, V ₅
27	V ₅	Power Supply for LCD Drive V ₅ , V _{OUT}
28	VR	Voltage Adjustment Pin
29	C86	Interface Mode Select Signal H : 68 series L : 80 series

30	IRS	<p>This terminal selects the resistors for the V5 voltage level adjustment.</p> <p>IRS="H" :Use the internal resistors</p> <p>IRS="L" :Do not use the internal resistors. The V5 voltage level is regulated by an external resistive voltage divider attached</p>
----	-----	---

4.2.Example of Power Supply



4.3. Block Diagram



5. Test

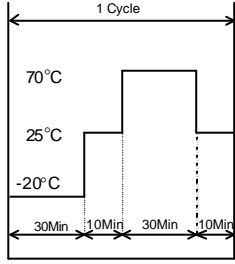
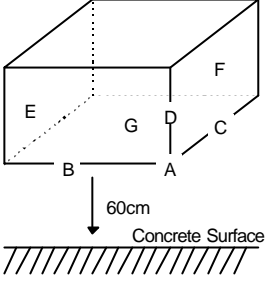
No change on display and in operation under the following test condition.

Conditions: Unless otherwise specified, tests will be conducted under the following condition.

Temperature: $20 \pm 5^\circ\text{C}$

Humidity : $65 \pm 5\% \text{RH}$

tests will be not conducted under functioning state.

No.	Parameter	Conditions	Notes
1	High Temperature Operating	$50^\circ\text{C} \pm 2^\circ\text{C}$, 96hrs (operation state)	
2	Low Temperature Operating	$0^\circ\text{C} \pm 2^\circ\text{C}$, 96hrs (operation state)	1
3	High Temperature Storage	$70^\circ\text{C} \pm 2^\circ\text{C}$, 96hrs	2
4	Low Temperature Storage	$-20^\circ\text{C} \pm 2^\circ\text{C}$, 96hrs	1,2
5	Damp Proof Test	$40^\circ\text{C} \pm 2^\circ\text{C}$, 90~95%RH, 96hrs	1,2
6	Temperature Cycle Test	5 Cycle  The function test shall be conducted after 1 hours storage at the normal temperature and	2
7	Shock Test	To be measured after dropping from 60cm high on the concrete surface in packing state.  Dropping method corner dropping A corner : once Edge dropping B,C,D edge : once Face dropping E,F,G face : once	

Note 1 :It should be checked at the actual driving condition under the high temperature.

Note 2 :No dew condensation to be observed.

Note 3 :The function test shall be conducted after 4 hours storage at the normal temperature and humidity after removed from the test chamber.

Note 4 :Vibration test will be conducted to the product itself without putting it in a ontainer.

Note 5 :No air bubbles and no color variation on display more than 24 hours after the test.

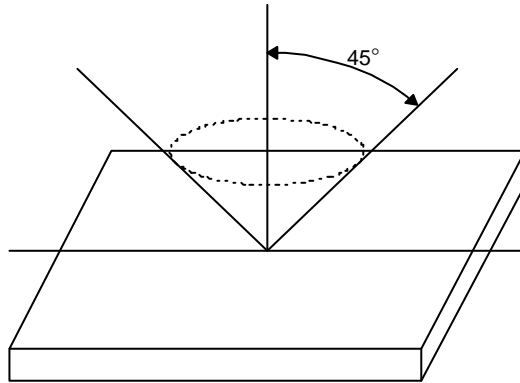
6.Appearance Standards

6.1.Inspection conditions

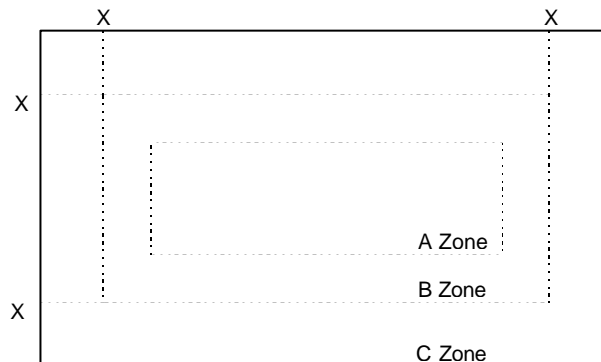
The LCD shall be inspected under 40W white fluorescent light.

The distance between the eyes and the sample shall be more than 30cm.

All directions for inspecting the sample should be within 45°against perpendicular line.



6.2.Definition of applicable Zones



X : Maximum Seal Line

A Zone : Active display area

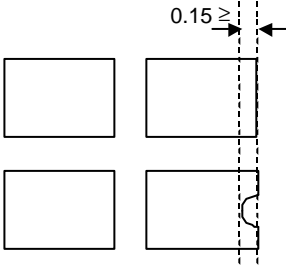
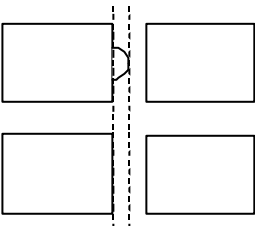
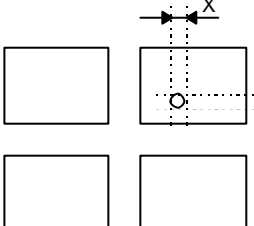
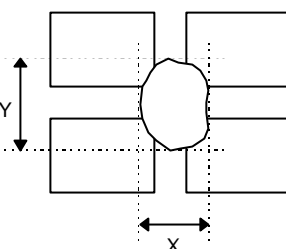
B Zone : Out of active display area ~ Maximum seal line

C Zone : Rest parts

A Zone + B Zone = Validity viewing area

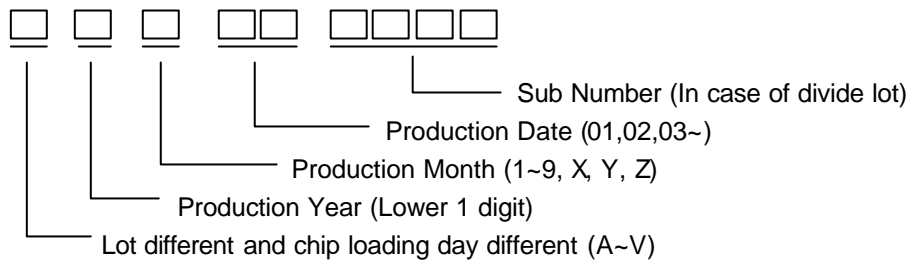
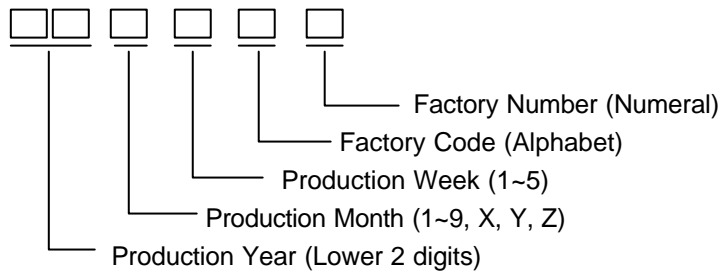
6.3. Standards

No.	Parameter	Criteria																																																										
1	Black and White Spots, Foreign Substances	<p>(1) Round Shape</p> <table border="1" data-bbox="603 324 1366 660"> <thead> <tr> <th data-bbox="603 324 906 369">Zone</th> <th colspan="3" data-bbox="906 324 1366 369">Acceptable Number</th> </tr> <tr> <th data-bbox="603 369 906 414">Dimension (mm)</th> <th data-bbox="906 369 1061 414">A</th> <th data-bbox="1061 369 1216 414">B</th> <th data-bbox="1216 369 1366 414">C</th> </tr> </thead> <tbody> <tr> <td data-bbox="603 414 906 459">$D \leq 0.1$</td> <td data-bbox="906 414 1061 459">*</td> <td data-bbox="1061 414 1216 459">*</td> <td data-bbox="1216 414 1366 459">*</td> </tr> <tr> <td data-bbox="603 459 906 504">$0.1 < D \leq 0.2$</td> <td data-bbox="906 459 1061 504">3</td> <td data-bbox="1061 459 1216 504">5</td> <td data-bbox="1216 459 1366 504">*</td> </tr> <tr> <td data-bbox="603 504 906 548">$0.2 < D \leq 0.25$</td> <td data-bbox="906 504 1061 548">2</td> <td data-bbox="1061 504 1216 548">3</td> <td data-bbox="1216 504 1366 548">*</td> </tr> <tr> <td data-bbox="603 548 906 593">$0.25 < D \leq 0.3$</td> <td data-bbox="906 548 1061 593">0</td> <td data-bbox="1061 548 1216 593">1</td> <td data-bbox="1216 548 1366 593">*</td> </tr> <tr> <td data-bbox="603 593 906 660">$0.3 < D$</td> <td data-bbox="906 593 1061 660">0</td> <td data-bbox="1061 593 1216 660">0</td> <td data-bbox="1216 593 1366 660">*</td> </tr> </tbody> </table> <p data-bbox="603 672 1366 705">$D = (\text{Long} + \text{Short}) / 2$ * : Disregard</p> <p>(2) Line Shape</p> <table border="1" data-bbox="603 750 1366 1041"> <thead> <tr> <th colspan="2" data-bbox="603 750 906 795">Zone</th> <th colspan="3" data-bbox="906 750 1366 795">Acceptable Number</th> </tr> <tr> <th data-bbox="603 795 758 840">X (mm)</th> <th data-bbox="758 795 906 840">Y (mm)</th> <th data-bbox="906 795 1061 840">A</th> <th data-bbox="1061 795 1216 840">B</th> <th data-bbox="1216 795 1366 840">C</th> </tr> </thead> <tbody> <tr> <td data-bbox="603 840 758 884">-</td> <td data-bbox="758 840 906 884">$0.03 \geq W$</td> <td data-bbox="906 840 1061 884">*</td> <td data-bbox="1061 840 1216 884">*</td> <td data-bbox="1216 840 1366 884">*</td> </tr> <tr> <td data-bbox="603 884 758 929">$2.0 \geq L$</td> <td data-bbox="758 884 906 929">$0.05 \geq W$</td> <td data-bbox="906 884 1061 929">3</td> <td data-bbox="1061 884 1216 929">3</td> <td data-bbox="1216 884 1366 929">*</td> </tr> <tr> <td data-bbox="603 929 758 974">$1.0 \geq L$</td> <td data-bbox="758 929 906 974">$0.1 \geq W$</td> <td data-bbox="906 929 1061 974">3</td> <td data-bbox="1061 929 1216 974">3</td> <td data-bbox="1216 929 1366 974">*</td> </tr> <tr> <td data-bbox="603 974 758 1041">-</td> <td data-bbox="758 974 906 1041">$0.1 < W$</td> <td colspan="3" data-bbox="906 974 1366 1041">In the same way (1)</td> </tr> </tbody> </table> <p data-bbox="603 1052 1366 1086">X : Length Y : Width * : Disregard</p> <p data-bbox="603 1097 1366 1131">Total defects shall not exceed 5.</p>	Zone	Acceptable Number			Dimension (mm)	A	B	C	$D \leq 0.1$	*	*	*	$0.1 < D \leq 0.2$	3	5	*	$0.2 < D \leq 0.25$	2	3	*	$0.25 < D \leq 0.3$	0	1	*	$0.3 < D$	0	0	*	Zone		Acceptable Number			X (mm)	Y (mm)	A	B	C	-	$0.03 \geq W$	*	*	*	$2.0 \geq L$	$0.05 \geq W$	3	3	*	$1.0 \geq L$	$0.1 \geq W$	3	3	*	-	$0.1 < W$	In the same way (1)		
Zone	Acceptable Number																																																											
Dimension (mm)	A	B	C																																																									
$D \leq 0.1$	*	*	*																																																									
$0.1 < D \leq 0.2$	3	5	*																																																									
$0.2 < D \leq 0.25$	2	3	*																																																									
$0.25 < D \leq 0.3$	0	1	*																																																									
$0.3 < D$	0	0	*																																																									
Zone		Acceptable Number																																																										
X (mm)	Y (mm)	A	B	C																																																								
-	$0.03 \geq W$	*	*	*																																																								
$2.0 \geq L$	$0.05 \geq W$	3	3	*																																																								
$1.0 \geq L$	$0.1 \geq W$	3	3	*																																																								
-	$0.1 < W$	In the same way (1)																																																										
2	Air Bubbles (between glass & polarizer)	<table border="1" data-bbox="603 1182 1366 1473"> <thead> <tr> <th data-bbox="603 1182 906 1227">Zone</th> <th colspan="3" data-bbox="906 1182 1366 1227">Acceptable Number</th> </tr> <tr> <th data-bbox="603 1227 906 1272">Dimension (mm)</th> <th data-bbox="906 1227 1061 1272">A</th> <th data-bbox="1061 1227 1216 1272">B</th> <th data-bbox="1216 1227 1366 1272">C</th> </tr> </thead> <tbody> <tr> <td data-bbox="603 1272 906 1317">$D \leq 0.3$</td> <td data-bbox="906 1272 1061 1317">*</td> <td data-bbox="1061 1272 1216 1317">*</td> <td data-bbox="1216 1272 1366 1317">*</td> </tr> <tr> <td data-bbox="603 1317 906 1361">$0.3 < D \leq 0.4$</td> <td data-bbox="906 1317 1061 1361">3</td> <td data-bbox="1061 1317 1216 1361">*</td> <td data-bbox="1216 1317 1366 1361">*</td> </tr> <tr> <td data-bbox="603 1361 906 1406">$0.4 < D \leq 0.6$</td> <td data-bbox="906 1361 1061 1406">2</td> <td data-bbox="1061 1361 1216 1406">3</td> <td data-bbox="1216 1361 1366 1406">*</td> </tr> <tr> <td data-bbox="603 1406 906 1473">$0.6 < D$</td> <td data-bbox="906 1406 1061 1473">0</td> <td data-bbox="1061 1406 1216 1473">0</td> <td data-bbox="1216 1406 1366 1473">*</td> </tr> </tbody> </table> <p data-bbox="603 1485 1366 1518">* : Disregard</p> <p data-bbox="603 1529 1366 1563">Total defects shall not exceed 3.</p>	Zone	Acceptable Number			Dimension (mm)	A	B	C	$D \leq 0.3$	*	*	*	$0.3 < D \leq 0.4$	3	*	*	$0.4 < D \leq 0.6$	2	3	*	$0.6 < D$	0	0	*																																		
Zone	Acceptable Number																																																											
Dimension (mm)	A	B	C																																																									
$D \leq 0.3$	*	*	*																																																									
$0.3 < D \leq 0.4$	3	*	*																																																									
$0.4 < D \leq 0.6$	2	3	*																																																									
$0.6 < D$	0	0	*																																																									

No.	Parameter	Criteria
3	The Shape of Dot	<p>(1) Dot Shape (with Dent)</p>  <p>As per the sketch of left hand.</p> <p>(2) Dot Shape (with Projection)</p>  <p>Should not be connected to next dot.</p> <p>(3) Pin Hole</p>  <p>$(X+Y) / 2 \leq 0.2\text{mm}$ (Less than 0.1mm is no counted.)</p> <p>(4) Deformation</p>  <p>$(X+Y) / 2 \leq 0.2\text{mm}$</p> <p>Total acceptable number : 1/dot, 5/cell (Defect number of (4) : 1pc.)</p>
4	Polarizer Scratches	Not to be conspicuous defects.
5	Polarizer Dirts	If the stains are removed easily from LCDP surface, the module is not defective.
6	Complex Foreign Substance Defects	Black spots, line shaped foreign substances or air bubbles between glass & polarizer should be 5pcs maximum in total.
7	Distance between Different Foreign Substance Defects	$D \leq 0.2$: 20mm or more $0.2 < D$: 40mm or more

7.Code System of Production Lot

The production lot of module is specified some of the following.



8.Type Number

The type number of module is specified as follows.

DMF-51320AD

9.Applying Precautions

Please contact us when questions and/or new problems not specified in this Specifications arise.

10.Precautions Relating Product Handling

The Following precautions will guide you in handling our product correctly.

- 1) Liquid crystal display devices
 1. The liquid crystal display device panel used in the liquid crystal display module is made of plate glass. Avoid any strong mechanical shock. Should the glass break handle it with care.
 2. The polarizer adhering to the surface of the LCD is made of a soft material. Guard against scratching it.
- 2) Care of the liquid crystal display module against static electricity discharge.
 1. When working with the module, be sure to ground your body and any electrical equipment you may be using. We strongly recommend the use of anti static mats (made of rubber), to protect work tables against the hazards of electrical shock.
 2. Avoid the use of work clothing made of synthetic fibers. We recommend cotton clothing or other conductivity-treated fibers.
 3. Slowly and carefully remove the protective film from the LCD module, since this operation can generate static electricity.
- 3) When the LCD module alone must be stored for long periods of time:
 1. Protect the modules from high temperature and humidity.
 2. Keep the modules out of direct sunlight or direct exposure to ultraviolet rays.
 3. Protect the modules from excessive external forces.
- 4) Use the module with a power supply that is equipped with an overcurrent protector circuit,since the module is not provided with this protective feature.
- 5) Do not ingest the LCD fluid itself should it leak out of a damaged LCD module. Should hands or clothing come in contact with LCD fluid, wash immediately with soap.
- 6) Conductivity is not guaranteed for models that use metal holders where solder connections between the metal holder and the PCB are not used. Please contact us to discuss appropriate ways to assure conductivity.
- 7) For models which use CFL:
 1. High voltage of 1000V or greater is applied to the CFL cable connector area. Care should be taken not to touch connection areas to avoid burns.
 2. Protect CFL cables from rubbing against the unit and thus causing the wire jacket to become worn.
 3. The use of CFLs for extended periods of time at low temperatures will significantly shorten their service life.
- 8) For models which use touch panels:
 1. Do not stack up modules since they can be damaged by components on neighboring modules.
 2. Do not place heavy objects on top of the product. This could cause glass breakage.
- 9) For models which use COG,TAB,or COF:
 1. The mechanical strength of the product is low since the IC chip faces out unprotected from the rear. Be sure to protect the rear of the IC chip from external forces.
 2. Given the fact that the rear of the IC chip is left exposed, in order to protect the unit from electrical damage, avoid installation configurations in which the rear of the IC chip runs the risk of making any electrical contact.

10) Models which use flexible cable, heat seal, or TAB:

1. In order to maintain reliability, do not touch or hold by the connector area.
2. Avoid any bending, pulling, or other excessive force, which can result in broken connections.

11) have an adverse effect on connecting parts (LCD panel-TCP / HEAT SEAL / FPC / etc., PCB-TCP / HEAT SEAL / FPC etc., TCP-HEAT SEAL, TCP-FPC, HEAT SEAL-FPC, etc.,) depending on its materials.

Please check and evaluate these materials carefully before use.

12) In case of acrylic plate is attached to front side of LCD panel, cloudiness (very small cracks) can occur on acrylic plate, being influenced by some components generated from polarizer film..

Please check and evaluate those acrylic materials carefully before use.

11. Warranty

This product has been manufactured to your company's specifications as a part for use in your company's general electronic products. It is guaranteed to perform according to delivery specifications. For any other use apart from general electronic equipment, we cannot take responsibility if the product is used in medical devices, nuclear power control equipment, aerospace equipment, fire and security systems, or any other applications in which there is a direct risk to human life and where extremely high levels of reliability are required. If the product is to be used in any of the above applications, we will need to enter into a separate product liability agreement.

1. We cannot accept responsibility for any defect, which may arise from additional manufacturing of the product (including disassembly and reassembly), after product delivery.
2. We cannot accept responsibility for any defect, which may arise after the application of strong external force to the product.
3. We cannot accept responsibility for any defect, which may arise due to the application of static electricity after the product has passed your company's acceptance inspection procedures.
4. When the product is in CFL models, CFL service life and brightness will vary According to the performance of the inverter used, leaks, etc. We cannot accept responsibility for product performance, reliability, or defect, which may arise.
5. We cannot accept responsibility for intellectual property of a third party, which may arise through the application of our product to your assembly with exception to those issues relating directly to the structure or method of manufacturing of our product.
6. Optrex will not be held responsible for any quality guarantee issue for defect products judged as Optrex-origin longer than 2 (two) years from Optrex production or 1(one) year from Optrex, Optrex America, Optrex Europe, Display LC delivery which ever comes later.