



# LCD Module Technical Specification

First Edition  
Aug 26, 2002  
Final Revision  
\*\*\*\*\*

Type No.

**T-51512D121-FW-A-AA**

Approved by (Production Div.)

Checked by (Quality Assurance Div.)

Checked by (ACI Engineering Div.)

Prepared by (Production Div.)

No.	Item	Page
--	CONTENTS	1
1	OVERVIEW	2
2	ABSOLUTE MAXIMUM RATINGS	3
3	ELECTRICAL CHARACTERISTICS	3
4	INTERFACE PIN CONNECTION	6
5	INTERFACE TIMING	8
6	BLOCK DIAGRAM	11
7	MECHANICAL SPECIFICATION	12
8	OPTICAL CHARACTERISTICS	14
9	RELIABILITY TEST CONDITION	16
10	INSPECTION STANDARDS	17
11	HANDLING PRECAUTIONS FOR TFT-LCD MODULE	18
12	PACKAGING SPECIFICATION	21
13	PRODUCTS NUMBER LABELING FORMS	25
14	LAMP UNIT FOR 12.1" SVGA	27
15	REVISION STATUS	33

## 1. OVERVIEW

AA121SK26 is 12.1" color TFT-LCD (Thin Film Transistor Liquid Crystal Display) module composed of LCD panel, driver ICs, control circuit, and backlight unit.

By applying 6 bit digital data,  $800 \times 600$ , 260 K-color images are displayed on the 12.1" diagonal screen. Input power voltage is single 3.3V or 5.0V for LCD driving. Both 3.3 V-CMOS and 5.0 V-CMOS level voltage are acceptable for logic input voltage.

Inverter for backlight is not included in this module. General specifications are summarized in the following table:

ITEM	SPECIFICATION
Display Area (mm)	246.0 × 184.5 (12.106-inch diagonal)
Number of Dots	800 × 3 (H) × 600 (V)
Pixel Pitch (mm)	0.3075 (H) × 0.3075 (V)
Color Pixel Arrangement	RGB vertical stripe
Display Mode	normally white
Number of Color	260 K
Optimum Viewing Angle(Contrast ratio)	6 o'clock
Brightness (cd/m <sup>2</sup> )	300
Module Size (mm)	280.0 (W) × 210.0 (H) × 12.0 (D)
Module Mass (g)	740
Backlight Unit	CCFL, 2-tubes, edge-light, replaceable
Surface Treatment	Antiglare and hard-coating 3H

Characteristic values without any note is typical value.

The LCD product described in this specification is designed and manufactured for the standard use in OA equipment and consumer products, such as computers, communication equipment, industrial robots, AV equipment and so on.

Do not use the LCD product for the equipment that require the extreme high level of reliability, such as aerospace applications, submarine cables, nuclear power control systems and medical or other equipment for life support.

OPTREX assumes no responsibility for any damage resulting from the use of the LCD product in disregard of the conditions and handling precautions in this specification.

If customers intend to use the LCD product for the above items or other no standard items, please contact our sales persons in advance.

## 2. ABSOLUTE MAXIMUM RATINGS

ITEM	SYMBOL	MIN.	MAX	UNIT
Power Supply Voltage for LCD	VCC	0	6.0	V
Logic Input Voltage	VI	0	6.5	V
Lamp Voltage	VL	0	3000	Vrms
Lamp Current	IL	0	15	mArms
Lamp Frequency	FL	-	60	kHz
Operation Temperature *)	T <sub>op</sub>	0	50	°C
Storage Temperature *)	T <sub>stg</sub>	-20	60	°C

\*) Top,Tstg ≤ 40°C : 90%RH max. without condensation

Top,Tstg > 40°C : Absolute humidity shall be less than the value of 90%RH at 40°C without condensation.

## 3. ELECTRICAL CHARACTERISTICS

(1) TFT-LCD

Ambient temperature: Ta = 25

ITEM		SYMBOL	MIN.	TYP.	MAX.	UNIT	Remarks
Power Supply Voltage for LCD	3.3V powered	VCC	3.0	3.3	3.6	V	A), D)
	5.0V powered	VCC	4.75	5.0	5.25	V	A), D)
Power Supply Current for LCD	3.3V powered	ICC	-	335	430	mA	VCC = 3.3 V B)
	5.0V powered	ICC	-	235	340	mA	VCC = 5.0 V B)
Permissive Input Ripple Voltage		VRP	-	-	100	mVp-p	VCC = +3.3V/5.0V
Logic Input Voltage	High	VIH	2.0	-	5.25	V	
	Low	VIL	0	-	0.8	V	

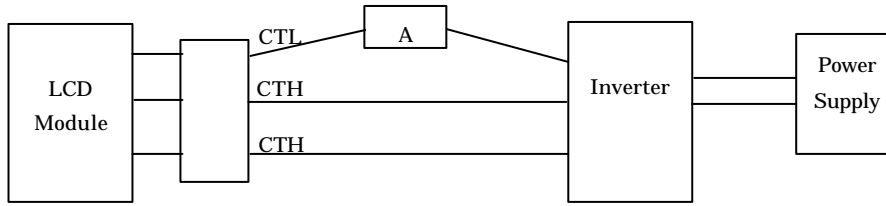
(2) Backlight

Ta = 25

ITEM	SYMBOL	MIN.	TYP.	MAX.	UNIT	Remarks
Lamp Voltage	VL	-	600	-	Vrms	IL = 10.0 mArms
Lamp Current	IL	6.0	10.0 C)	12.0	mArms	Note 1)
Lamp Frequency	FL	30	-	60	kHz	Note 2)
Starting Lamp Voltatge	VS	1000	-	-	Vrms	Ta = 25°C Note 3)
		1200	-	-		Ta = 0°C Note 3)
Lamp Life Time	LT	50,000	-	-	h	IL = 10.0 mArms, Continuous operation Note 3),4)

[Note]

1) Lamp Current measurement method (The current meter is inserted in low voltage line.)

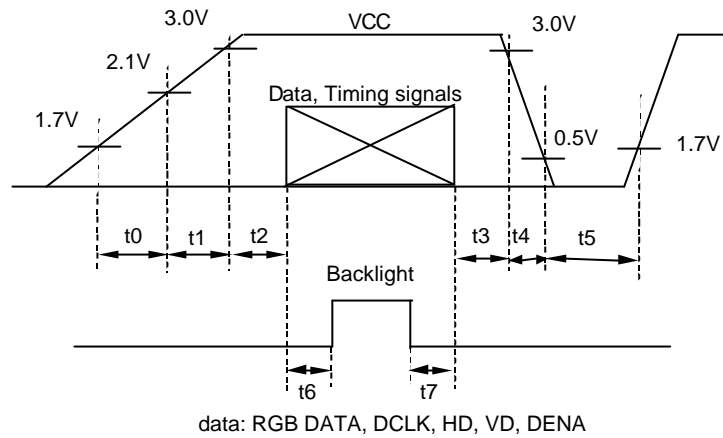


- 2) Lamp frequency of inverter may produce interference with horizontal synchronous frequency, and this may cause horizontal beat on the display. Therefore, please adjust lamp frequency, and keep inverter as far from module as possible or use electronic shielding between inverter and module to avoid the interference.
- 3) Lamp life time is defined as the time either when the brightness becomes 50% of the initial value, or when the starting lamp voltage does not meet the value specified in this table.
- 4) The life time of the backlight depends on the ambient temperature. The life time will decrease under low/high temperature.

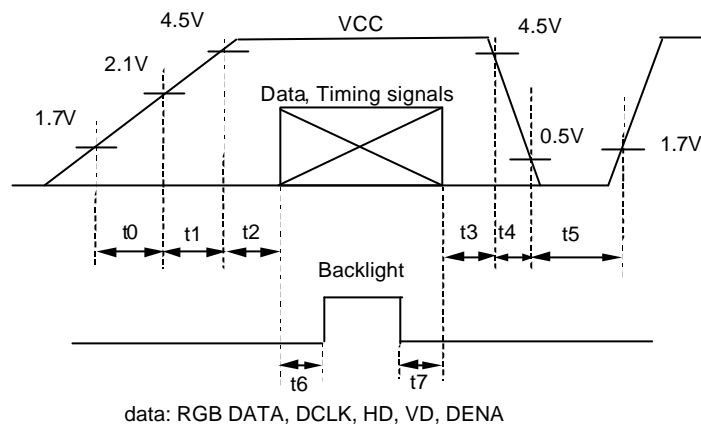
A) Power and signals sequence:

- $t_0 \leq 1 \text{ ms}$                        $0 < t_4 \leq 50 \text{ ms}$
- $t_1 \leq 15 \text{ ms}$                        $400 \text{ ms} \leq t_5$
- $0 < t_2 \leq 200 \text{ ms}$                  $200 \text{ ms} \leq t_6$
- $0 < t_3 \leq 1 \text{ s}$                        $0 \leq t_7$

(a) 3.3 V powered



(b) 5.0 V powered

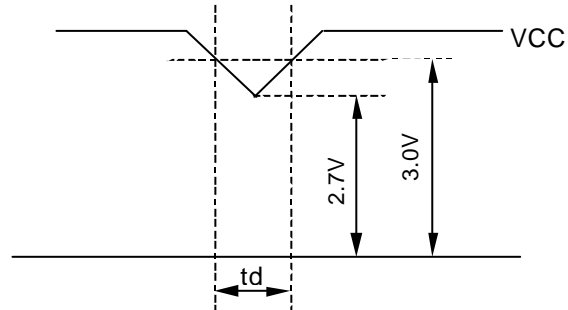


VCC-dip conditions:

(a) 3.3 V powered

- 1) When  $2.7\text{ V} \leq VCC < 3.0\text{ V}$ ,  $t_d \leq 10\text{ ms}$
- 2) When  $VCC < 2.7\text{ V}$

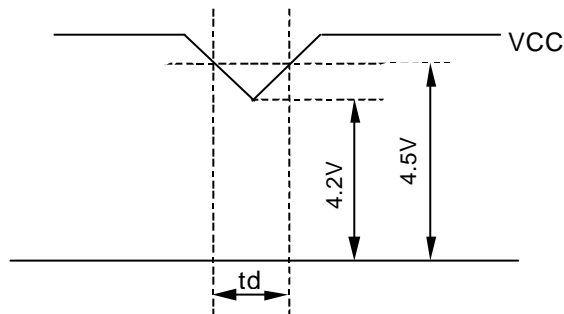
VCC-dip conditions should also follow the power and signals sequence.



(b) 5.0V powered

- 1) When  $4.2\text{ V} \leq VCC < 4.5\text{ V}$ ,  $t_d \leq 10\text{ ms}$
- 2) When  $VCC < 4.2\text{ V}$

VCC-dip conditions should also follow the power and signals sequence.



B) Typical current condition:

64-gray-bar pattern

600 line mode

$VCC = +3.3\text{ V} / 5.0\text{ V}$ ,  $f_H=37.9\text{kHz}$ ,  $f_V=60.3\text{Hz}$ ,  $f_{CLK}= 40\text{MHz}$

C) For typical luminance of  $300\text{cd/m}^2$

D) Please do not supply  $3.6 \sim 4.75\text{ V}$  constantly as Power Supply Voltage for LCD.

The condition is shown as  $t_1 \leq 15\text{ ms}$ .

## 4. INTERFACE PIN CONNECTION

CN 1(INTERFACE SIGNAL)

Used connector: DF9B-41P-1V(Hirose)

Corresponding connector: DF9B-41S-1V(Hirose)

Pin No.	Symbol	Function
1	GND	Signal ground
2	DCLK	Clock signal for sampling catch data signal
3	GND	Signal ground
4	HD	Horizontal sync signal
5	VD	Vertical sync signal
6	GND	Signal ground
7	GND	Signal ground
8	GND	Signal ground
9	R0	RED data signal(LSB)
10	R1	RED data signal
11	R2	RED data signal
12	GND	Signal ground
13	R3	RED data signal
14	R4	RED data signal
15	R5	RED data signal(MSB)
16	GND	Signal ground
17	GND	Signal ground
18	GND	Signal ground
19	G0	GREEN data signal(LSB)
20	G1	GREEN data signal
21	G2	GREEN data signal
22	GND	Signal ground
23	G3	GREEN data signal
24	G4	GREEN data signal
25	G5	GREEN data signal(MSB)
26	GND	Signal ground
27	GND	Signal ground
28	GND	Signal ground
29	B0	BLUE data signal (LSB)
30	B1	BLUE data signal
31	B2	BLUE data signal
32	GND	Signal ground
33	B3	BLUE data signal
34	B4	BLUE data signal
35	B5	BLUE data signal(MSB)
36	GND	Signal ground
37	DENA	Data enable signal(to settle the viewing area)
38	NC	
39	VCC	+3.3 / 5.0 V Power supply
40	VCC	+3.3 / 5.0 V Power supply
41	TEST	This pin should be open. Test signal output for only internal test use.

\*)The shielding case is connected with GND.

CN 2(BACKLIGHT)

Backlight-side connector: BHR-04VS-1 (JST)

Inverter-side connector: SM04(4.0)B-BHS-1(JST)

Pin No.	Symbol	Function
1, 2	CTH	VBLH (High voltage)
4	CTL	VBLL (Low voltage)

VBLH - VBLL = VL



## 5. INTERFACE TIMING

### (1) Timing Specifications

VCC = 3.3/5.0 V, Ta = 25

ITEM		SYMBOL	MIN	TYP	MAX	UNIT
DCLK *1,4)	Frequency	f <sub>CLK</sub>	35	--	40	MHz
	Period	t <sub>CLK</sub>	25	--	27.8	ns
	Low Width	t <sub>WCL</sub>	10	--	--	ns
	High Width	t <sub>WCH</sub>	10	--	--	ns
DATA *1) (R,G,B,DENA, HD, VD)	Set up time	t <sub>DS</sub>	4	--	--	ns
	Hold time	t <sub>DH</sub>	4	--	--	ns
DENA *3)	Horizontal Active Time	t <sub>HA</sub>	800	800	800	t <sub>CLK</sub>
	Horizontal Front Porch	t <sub>HFP</sub>	0	--	--	t <sub>CLK</sub>
	Horizontal Back Porch	t <sub>HBP</sub>	10	--	--	t <sub>CLK</sub>
	Vertical Active Time	t <sub>VA</sub>	600	600	600	t <sub>H</sub>
	Vertical Front Porch	t <sub>VFP</sub>	1	--	--	t <sub>H</sub>
	Vertical Back Porch	t <sub>VBP</sub>	2	--	--	t <sub>H</sub>
HD *2,4)	Frequency	f <sub>H</sub>	35.2	37.9	39.2	kHz
	Period	t <sub>H</sub>	25.5	26.4	28.4	μs
	Low Width	t <sub>WHL</sub>	5	--	--	t <sub>CLK</sub>
VD *2)	Frequency	f <sub>V</sub>	55	60.3	64.2	Hz
	Period	t <sub>V</sub>	15.6	16.6	18.2	ms
	Low Width	t <sub>WVL</sub>	1	--	--	t <sub>H</sub>

[Note]

\*1) DATA is latched at fall edge of DCLK in this specification.

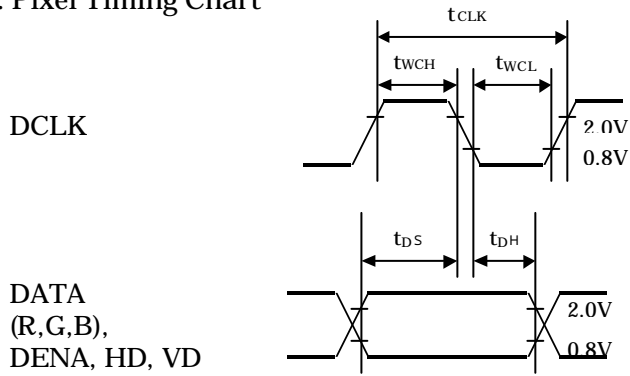
\*2) Polarities of HD and VD are negative in this specification.

\*3) DENA (Data Enable) should always be positive polarity as shown in the timing specification.

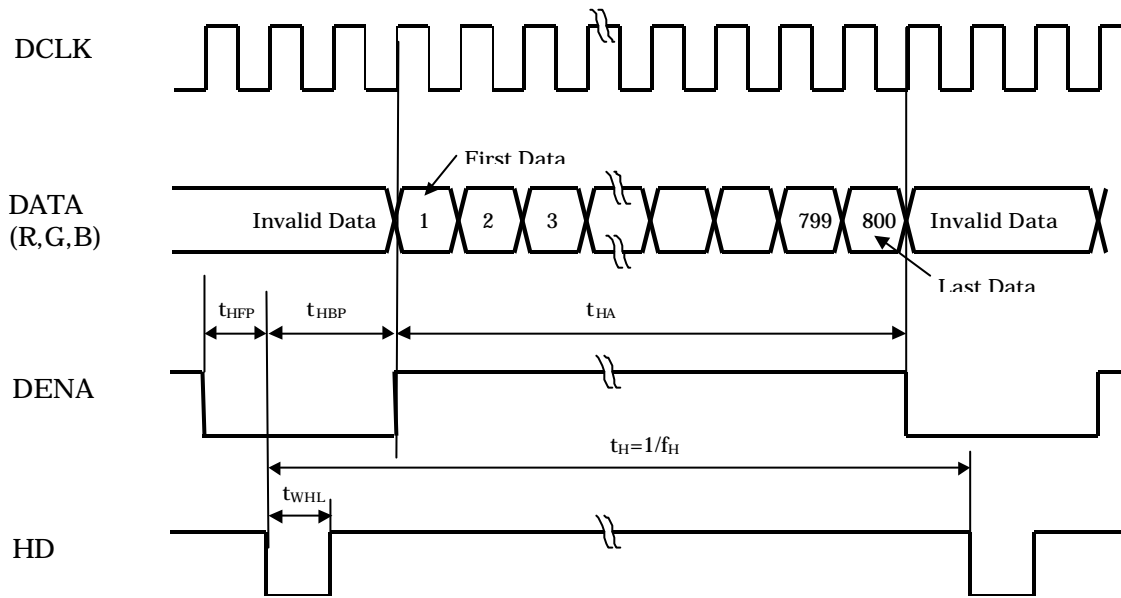
\*4) DCLK should appear during all invalid period, and HD should appear during invalid period of frame cycle.

(2) Timing Chart

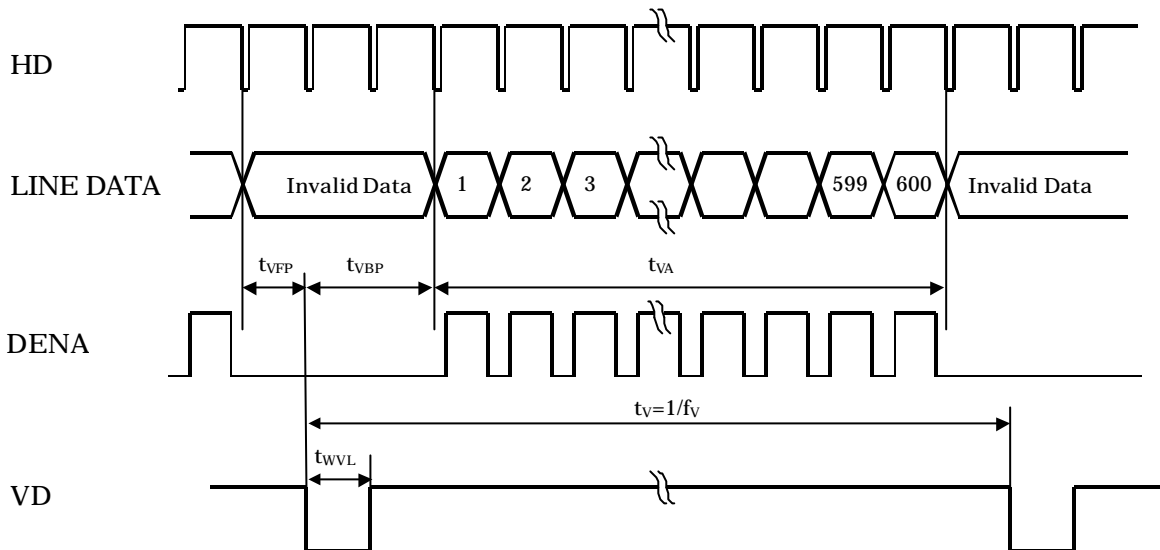
a. Pixel Timing Chart



b. Horizontal Timing Chart



c. Vertical Timing Chart



(3) Color Data Assignment

COLOR	INPUT DATA	R DATA						G DATA						B DATA					
		R5	R4	R3	R2	R1	R0	G5	G4	G3	G2	G1	G0	B5	B4	B3	B2	B1	B0
		MSB					LSB	MSB					LSB	MSB					LSB
BASIC COLOR	BLACK	0	0	0	0	0	0	0	0	0	0	0	0	0	0	0	0	0	0
	RED(63)	1	1	1	1	1	1	0	0	0	0	0	0	0	0	0	0	0	0
	GREEN(63)	0	0	0	0	0	0	1	1	1	1	1	1	0	0	0	0	0	0
	BLUE(63)	0	0	0	0	0	0	0	0	0	0	0	0	1	1	1	1	1	1
	CYAN	0	0	0	0	0	0	1	1	1	1	1	1	1	1	1	1	1	1
	MAGENTA	1	1	1	1	1	1	0	0	0	0	0	0	1	1	1	1	1	1
	YELLOW	1	1	1	1	1	1	1	1	1	1	1	1	0	0	0	0	0	0
WHITE	1	1	1	1	1	1	1	1	1	1	1	1	1	1	1	1	1	1	
RED	RED(0)	0	0	0	0	0	0	0	0	0	0	0	0	0	0	0	0	0	0
	RED (1)	0	0	0	0	0	1	0	0	0	0	0	0	0	0	0	0	0	0
	RED(2)	0	0	0	0	1	0	0	0	0	0	0	0	0	0	0	0	0	0
	RED (62)	1	1	1	1	1	0	0	0	0	0	0	0	0	0	0	0	0	0
	RED(63)	1	1	1	1	1	1	0	0	0	0	0	0	0	0	0	0	0	0
GREEN	GREEN(0)	0	0	0	0	0	0	0	0	0	0	0	0	0	0	0	0	0	0
	GREEN (1)	0	0	0	0	0	0	0	0	0	0	0	1	0	0	0	0	0	0
	GREEN(2)	0	0	0	0	0	0	0	0	0	0	1	0	0	0	0	0	0	0
	GREEN(62)	0	0	0	0	0	0	1	1	1	1	1	0	0	0	0	0	0	0
	GREEN(63)	0	0	0	0	0	0	1	1	1	1	1	1	0	0	0	0	0	0
BLUE	BLUE(0)	0	0	0	0	0	0	0	0	0	0	0	0	0	0	0	0	0	0
	BLUE(1)	0	0	0	0	0	0	0	0	0	0	0	0	0	0	0	0	0	1
	BLUE(2)	0	0	0	0	0	0	0	0	0	0	0	0	0	0	0	0	1	0
	BLUE(62)	0	0	0	0	0	0	0	0	0	0	0	0	1	1	1	1	1	0
	BLUE(63)	0	0	0	0	0	0	0	0	0	0	0	0	1	1	1	1	1	1

[Note] 1) Definition of gray scale

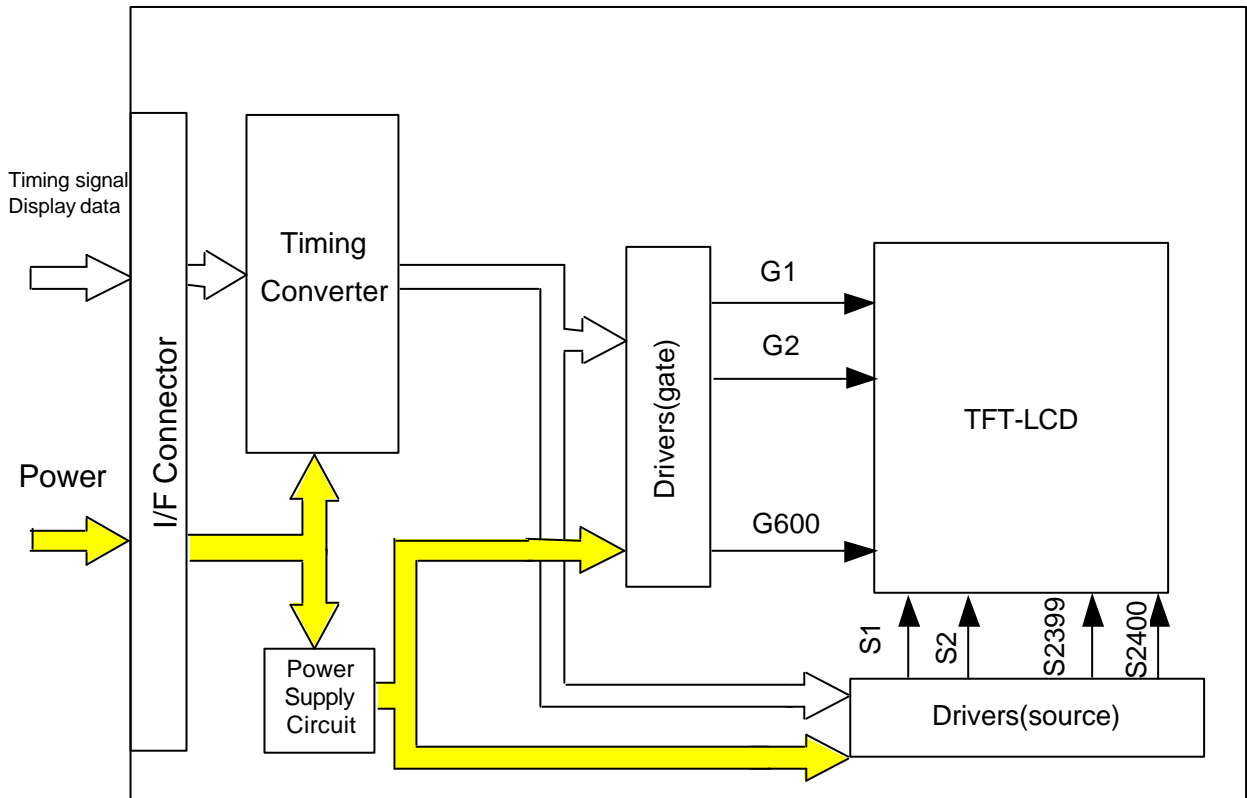
Color (n) --- n indicates gray scale level.

Higher n means brighter level.

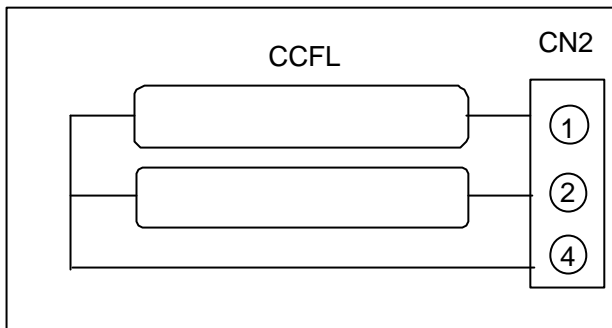
2) Data

1:High, 0: Low

## 6. BLOCK DIAGRAM

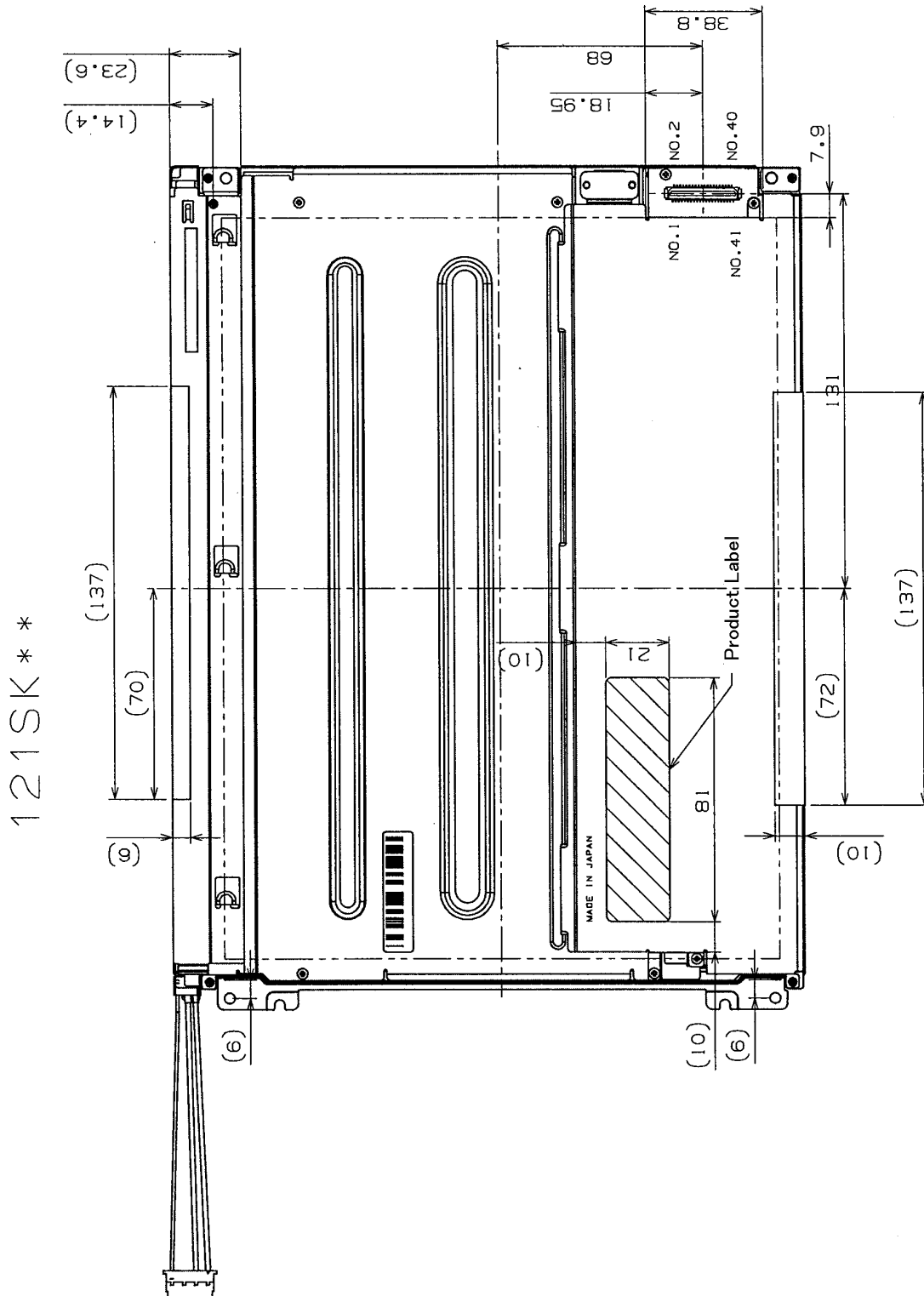


### BACKLIGHT





(2) Rear Side



[Note] We recommend you referring to the detailed drawing for your design.

Please contact our company sales representative when you need the detailed drawing.

## 8. OPTICAL CHARACTERISTICS

Ta=25°C, VCC=3.3V / 5.0V, Input Signals: Typ. Values shown in Section 5

ITEM		SYMBOL	CONDITION	MIN	TYP	MAX	UNIT	Remarks
Contrast Ratio		CR	$\theta = \phi = 0^\circ$	100	300	--	--	*1)*3)
Luminance		Lw	$\theta = \phi = 0^\circ$	250	300	--	cd/m <sup>2</sup>	*2)*3)
Response Time		tr	$\theta = \phi = 0^\circ$	--	20	40	ms	*3)*4)
		tf	$\theta = \phi = 0^\circ$	--	30	50	ms	*3)*4)
Viewing Angle	Horizontal	$\phi$	CR $\geq$ 10	-50~50	-60~60	--	°	*3)
	Vertical	$\theta$		-40~30	-50~40	--	°	*3)
Image sticking		tis	2 h	--	--	2	s	*5)
Color Coordinates	Red	Rx	$\theta = \phi = 0^\circ$	0.535	0.565	0.595	--	*3)
		Ry		0.318	0.348	0.378		
	Green	Gx		0.296	0.326	0.356		
		Gy		0.517	0.547	0.577		
	Blue	Bx		0.139	0.169	0.199		
		By		0.159	0.189	0.219		
	White	Wx		0.299	0.329	0.359		
		Wy		0.345	0.375	0.405		

[Note]

These items are measured using BM-5A(TOPCON) or LCD-7000(Otsuka Electronic) under the dark room condition (no ambient light).

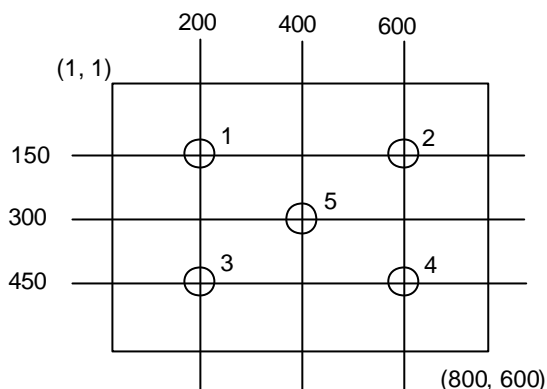
Condition: IL = 10.0 mArms, FL=47kHz

\*1) Definition of Contrast Ratio

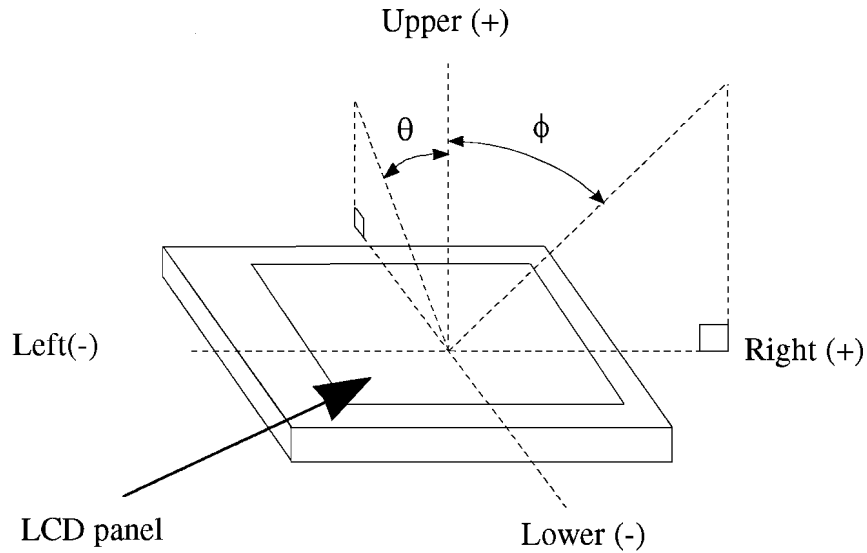
CR=ON (White) Luminance / OFF(Black) Luminance: average of 5 points

\*2) Definition of Luminance

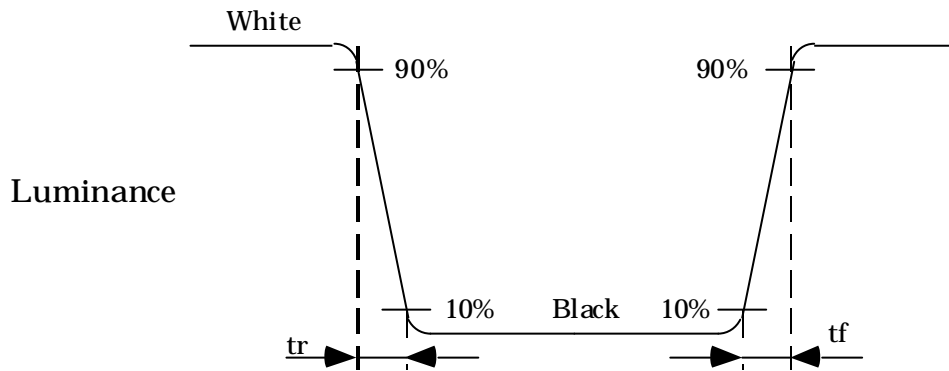
Lw= ON (White) Luminance: average of 5 points



\*3) Definition of Viewing Angle(  $\theta$  ,  $\phi$  )



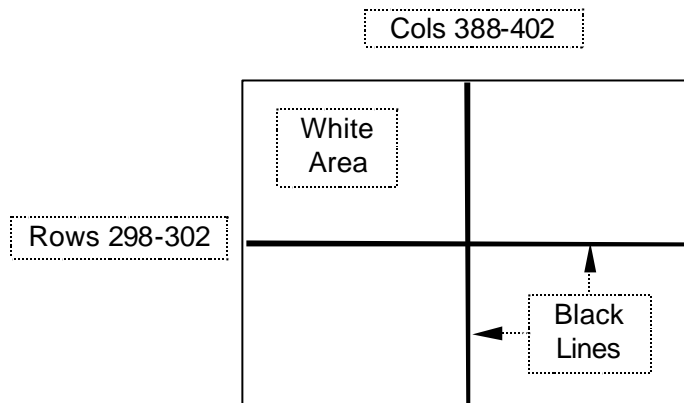
\*4) Definition of Response Time



5) Image sticking:

Continuously display the test pattern shown in the figure below for two-hours. Then display a completely white screen. The previous image shall not persist more than two seconds at 25°C.

TEST PATTERN FOR IMAGE STICKING TEST





## 9. RELIABILITY TEST CONDITION

### (1) Temperature and Humidity

TEST ITEM	CONDITIONS
HIGH TEMPERATURE HIGH HUMIDITY OPERATION	40°C, 90%RH, 240 h
HIGH TEMPERATURE STORAGE	60°C, 96 h
LOW TEMPERATURE STORAGE	-20°C, 96 h
THERMAL SHOCK	BETWEEN -20°C (1h) and 60°C(1h), 5 CYCLES

### (2) Shock & Vibration

ITEM	CONDITIONS
SHOCK (NON-OPERATION)	Shock level: 1470m/s <sup>2</sup> (150G) Waveform: half sinusoidal wave, 2ms Number of shocks: one shock input in each direction of three mutually perpendicular axes for a total of six shock inputs
VIBRATION (NON-OPERATION)	Vibration level: 9.8m/s <sup>2</sup> (1.0G) Waveform: sinusoidal Frequency range: 5 to 500Hz Frequency sweep rate: 0.5 octave /min Duration: one sweep from 5 to 500 Hz in each of three mutually perpendicular axis(each x,y,z axis: 1 hour, total 3 hours)

### (3) Judgment standard

The judgment of the above tests should be made as follow:

Pass: Normal display image with no obvious non-uniformity and no line defect.

Partial transformation of the module parts should be ignored.

Fail: No display image, obvious non-uniformity, or line defects.

# 11. HANDLING PRECAUTIONS FOR TFT-LCD MODULE

Please pay attention to the followings in handling TFT-LCD products;

## (1) ASSEMBLY PRECAUTION

- a. Please use the mounting hole on the module in installing and do not bending or wrenching LCD in assembling. And please do not drop, bend or twist LCD module in handling.
- b. Please design display housing in accordance with the following guide lines.
  - (a) Housing case must be designed carefully so as not to put stresses on LCD all sides and not to wrench module. The stresses may cause non-uniformity even if there is no non-uniformity statically.
  - (b) Keep sufficient clearance between LCD module back surface and housing when the LCD module is mounted. Approximately 1.0mm of the clearance in the design is recommended taking into account the tolerance of LCD module thickness and mounting structure height on the housing.
  - (c) When some parts, such as, FPC cable and ferrite plate, are installed underneath the LCD module, still sufficient clearance is required, such as 0.5mm. This clearance is, especially, to be reconsidered when the additional parts are implemented for EMI countermeasure.
  - (d) Design the inverter location and connector position carefully so as not to give stress to lamp cable, or not to interface the LCD module by the lamp cable.
  - (e) Keep sufficient clearance between LCD module and the others parts, such as inverter and speaker so as not to interface the LCD module. Approximately 1.0mm of the clearance in the design is recommended.
- c. Please do not push or scratch LCD panel surface with anything hard. And do not soil LCD panel surface by touching with bare hands. (Polarizer film, surface of LCD panel is easy to be flawed.)
- d. Please do not press any parts on the rear side such as source TCP, gate TCP, control circuit board and FPCs during handling LCD module. If pressing rear part is unavoidable, handle the LCD module with care not to damage them.
- e. Please wipe off LCD panel surface with absorbent cotton or soft cloth in case of it being soiled.
- f. Please wipe off drops of adhesives like saliva and water on LCD panel surface immediately. They might damage to cause panel surface variation and color change.
- g. Please do not take a LCD module to pieces and reconstruct it. Resolving and reconstructing modules may cause them not to work well.
- h. Please do not touch metal frames with bare hands and soiled gloves. A color change of the metal frames can happen during a long preservation of soiled LCD modules.
- i. Please handle metal frame carefully to avoid getting hurt because edge of metal frame is very sharp.

- j. Please pay attention to handling lead wire of backlight so that it is not tugged in connecting with inverter.
- k. Be sure to connect the cables and the connectors correctly.
- l. Please connect the metal frame of LCD module to GND in order to minimize the effect of external noise and EMI.

## **(2) OPERATING PRECAUTIONS**

- a. Please be sure to turn off the power supply before connecting and disconnecting signal input cable.
- b. Please do not change variable resistance settings in LCD module. They are adjusted to the most suitable value. If they are changed, it might happen LCD does not satisfy the characteristics specification.
- c. LCD backlight takes longer time to become stable of radiation characteristics in low temperature than in room temperature.
- d. A condensation might happen on the surface and inside of LCD module in case of sudden change of ambient temperature.
- e. Please pay attention not to display the same pattern for very long time. Image might stick on LCD. Even if image sticking happens, it may disappear as the operation time proceeds.
- f. Please obey the same safe instructions as ones being prepared for ordinary electronic products.

## **(3) PRECAUTIONS WITH ELECTROSTATICS**

- a. This LCD module use CMOS-IC on circuit board and TFT-LCD panel, and so it is easy to be affected by electrostatics. Please be careful with electrostatics by the way of your body connecting to the ground and so on.
- b. Please remove protection film very slowly from the surface of LCD module to prevent from electrostatics occurrence.

## **(4) STORAGE PRECAUTIONS**

- a. Please do not leave the LCDs in the environment of high humidity and high temperature such as 60°C90%RH.
- b. Please do not leave the LCDs in the environment of low temperature; below -20°C.

## **(5) SAFETY PRECAUTIONS**

- a. When you waste damaged or unnecessary LCDs, it is recommended to crush LCDs into pieces and wash them off with solvents such as acetone and ethanol, which should later be burned.
- b. If any liquid leaks out of a damaged glass cell and comes in contact with the hands, wash off thoroughly with soap and water.
- c. Be sure to turn off the power supply when inserting or disconnecting the cable.
- d. Inverter should be designed carefully so as not to keep working in case of detecting over current or open circuit on the lamp.

## **(6) OTHERS**

- a. A strong incident light into LCD panel might cause display characteristics changing inferior because of polarizer film, color filter, and other materials becoming inferior. Please do not expose LCD module direct sunlight and strong UV rays.
- b. Please pay attention to a panel side of LCD module not to contact with other materials in preserving it alone.
- c. For the packaging box, please pay attention to the followings;
  - (a) Packaging box and inner case for LCD are designed to protect the LCDs from the damage or scratching during transportation. Please do not open except picking LCDs up from the box.
  - (b) Please do not pile them up more than 5 boxes. (They are not designed so.) And please do not turn over.
  - (c) Please handle packaging box with care not to give them sudden shock and vibrations. And also please do not throw them up.
  - (d) Packaging box and inner case for LCDs are made of cardboard. So please pay attention not to get them wet. (Such like keeping them in high humidity or wet place can occur getting them wet.)