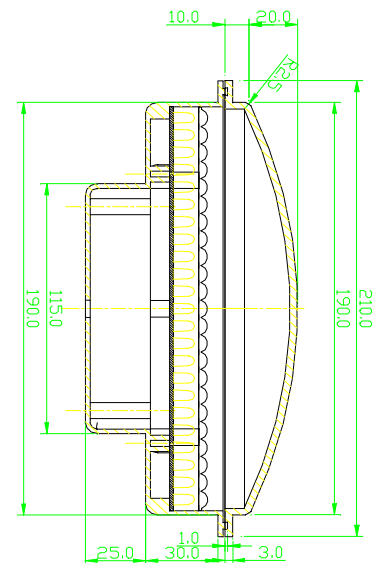


TP-210 LED Pedestrian Signal Lamp

- Available in red / green colors
- Replace incandescent bulb in standard signal head
- Save energy and maintenance cost
- Increased device reliability
- Meet AS2144-1995 Standard (Australia)
- Custom specification available

Australian Version Features		
Model Number	TP-211	TP-213
Function	Red "Don't Walk"	Green "Walk"
Applied Voltage	240 VAC / 50 Hz	
Power Consumption(Watts)	2.4	2.0
Dominant Wavelength(nm)	626	505
On Axis Luminous Intensity	150 mcd / LED	150 mcd / LED
LEDs Per Lamp	102	104
Intensity Loss Due to Single LED Failure	3.9 %	3.8 %
LED Material	AllInGaP	InGaN
Housing Material	UV resistant Polycarbonate	
Lamp Size	200 mm disc	
IP Rating (Out of / In Lantern Housing)	IP 34 / IP 65	
Operating Temperature	-25°C ~ 70°C	
Storage Temperature	-40°C ~ 85°C	



OPTO TECH CORPORATION

NO.8, Innovation Rd. 1, Hsinchu Science-Based Industrial Park, Hsinchu, Taiwan, R.O.C.
 TEL : 886-3-5777481 · 886-3-5799481 EXT : 643,644,645
 FAX : 886-3-5779576 E-mail : 1658@opto.com.tw

