

## SURFACE MOUNT SWITCHING DIODES

**VOLTAGE** 75 - 200 Volts

**POWER** 350-410 mW

### FEATURES

- Fast switching Speed
- Electrically Identical to Standard JEDEC
- High Conductance
- Surface Mount Package Ideally Suited for Automatic Insertion

### MECHANICAL DATA

Case: SOD-123, Plastic

Terminals: Solderable per MIL-STD-202, Method 208

Approx. Weight:0.01 gram



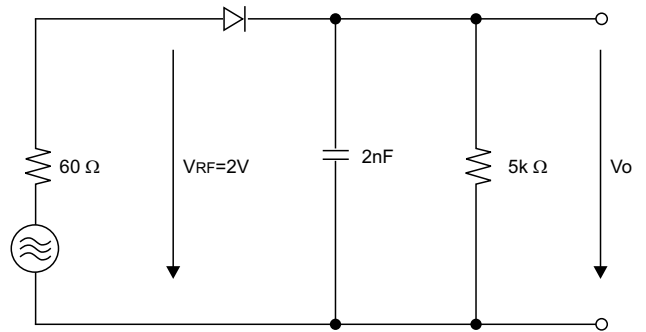
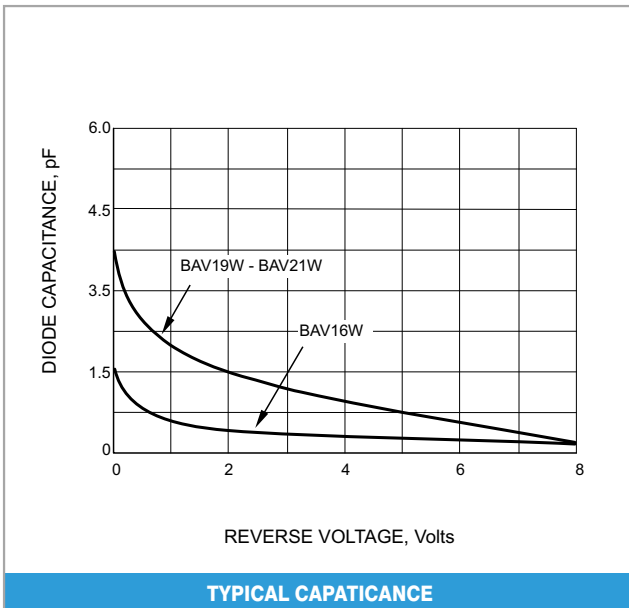
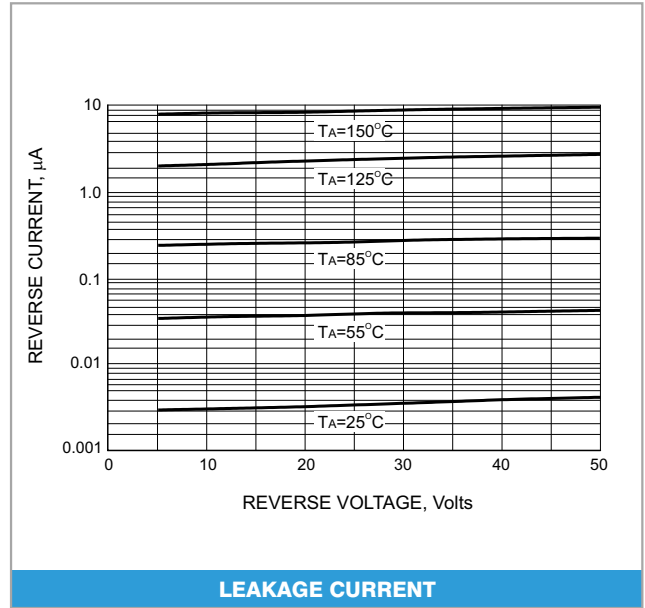
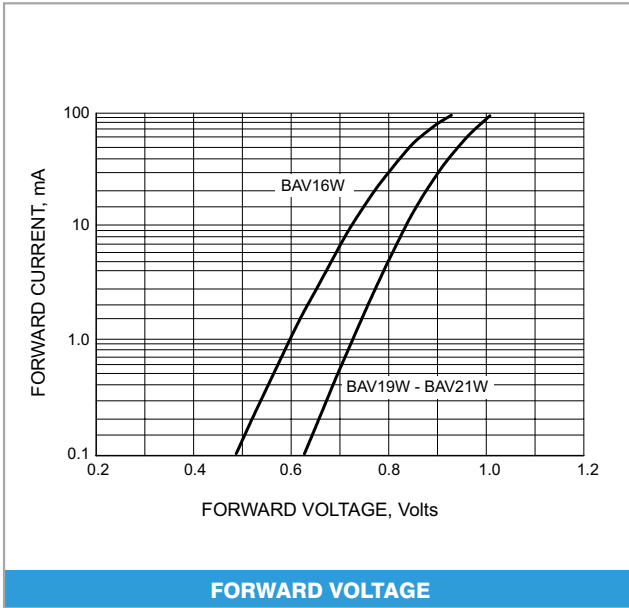
### MAXIMUM RATINGS AND ELECTRICAL CHARACTERISTICS

PARAMETER	SYMBOL	BAV16W	BAV19W	BAV20W	BAV21W	UNITS
Reverse Voltage	V <sub>R</sub>	75	100	150	200	V
Peak Reverse Voltage	V <sub>RM</sub>	100	120	200	250	V
Maximum RMS Voltage	V <sub>RMS</sub>	35	85	140	175	V
Maximum DC Blocking Voltage	V <sub>DC</sub>	75	100	150	200	V
Maximum Average Forward Current at Ta=25°C	I <sub>AV</sub>	250	200	200	200	mA
Peak Forward Surge Current, 8.3ms single half sine-wave superimposed on rated load (JEDEC method)	I <sub>FSM</sub>	2	2.5	2.5	2.5	A
Power Dissipation Derate Above 25°C	P <sub>TOT</sub>	350	410	410	410	mW
Maximum Forward Voltage @ I <sub>F</sub> =10mA @ I <sub>F</sub> =100mA	V <sub>F</sub>	0.855 -	- 1.0	- 1.0	- 1.0	V
Maximum DC Reverse Current at Rated DC Blocking Voltage T <sub>J</sub> =25°C	I <sub>R</sub>	1	0.1	0.1	0.1	μA
Typical Junction Capacitance( Notes1)	C <sub>J</sub>	2	1.5	1.5	1.5	pF
Maximum Reverse Recovery (Notes2)	T <sub>RR</sub>	6	50	50	50	ns
Maximum Thermal Resistance	R <sub>θJA</sub>	450	375	375	375	°C / W
Storage Temperature Range	T <sub>J</sub>	-55 TO +125				°C

NOTE:

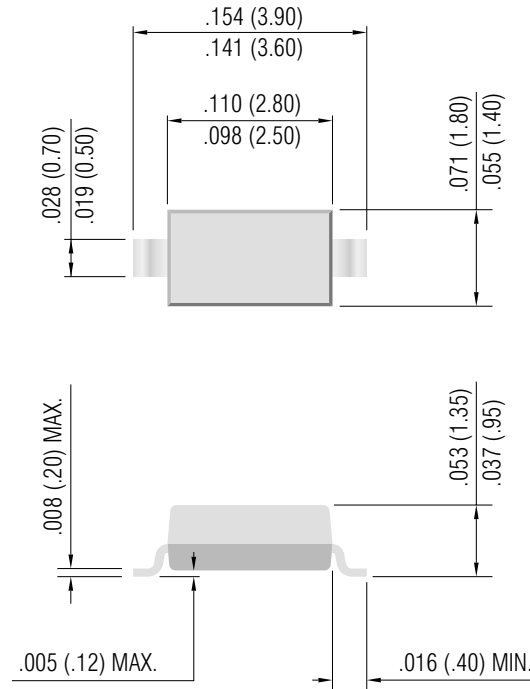
1. C<sub>J</sub> at V<sub>R</sub>=0, f=1MHZ

2.From I<sub>F</sub>=10mA to I<sub>R</sub>=1mA, V<sub>R</sub>=6Volts, R<sub>L</sub>=100Ω



**RECTIFICATION EFFCIENCY MEASUREMENT CIRCUIT**

SOD-123



Dimensions in inches and (millimeters)

© Copyright Panjit International Inc. 2001

All rights are reserved. Reproduction in whole or in part is prohibited without the prior written consent of the copyright owner.

The information presented in this document does not form part of any quotation or contract, is believed to be accurate and reliable and may be changed without notice. No liability will be accepted by the publisher for any consequence of its use.

Publication thereof does not convey nor imply any license under patent or other industrial or intellectual property rights.

**PanJit International Inc.**

TEL:886-7-6213121 Fax:886-7-6213129 Internet: <http://www.panjit.com.tw> email: [sales@panjit.com.tw](mailto:sales@panjit.com.tw)