

# MA2X329

## Silicon epitaxial planar type

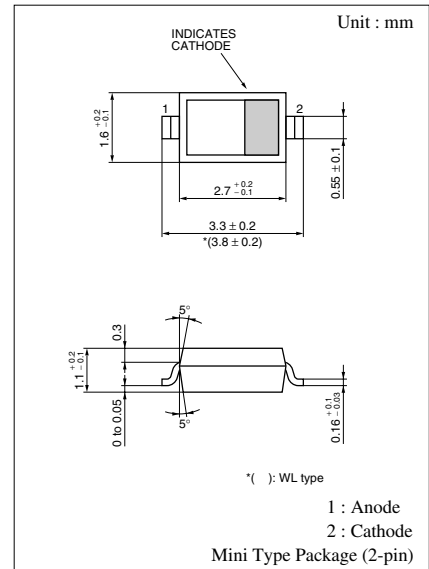
For VHF electronic tuners

### ■ Features

- Large capacitance ratio
- Small series resistance  $r_D$
- Mini type package, allowing downsizing of equipment and automatic insertion through the taping package

### ■ Absolute Maximum Ratings $T_a = 25^\circ\text{C}$

Parameter	Symbol	Rating	Unit
Reverse voltage (DC)	$V_R$	32	V
Peak reverse voltage	$V_{RM}$	34	V
Forward current (DC)	$I_F$	20	mA
Junction temperature	$T_j$	150	$^\circ\text{C}$
Storage temperature	$T_{stg}$	-55 to +150	$^\circ\text{C}$



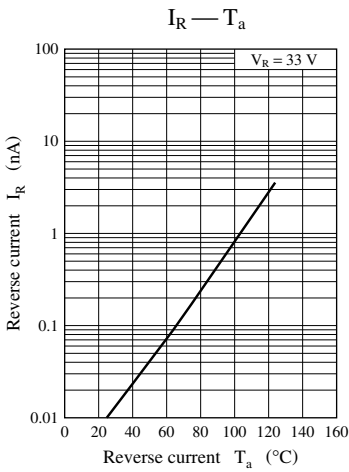
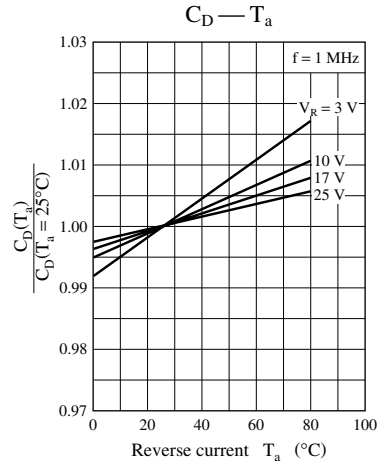
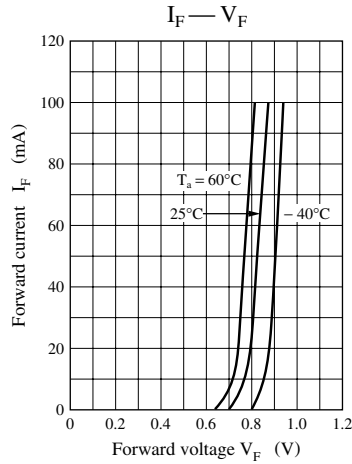
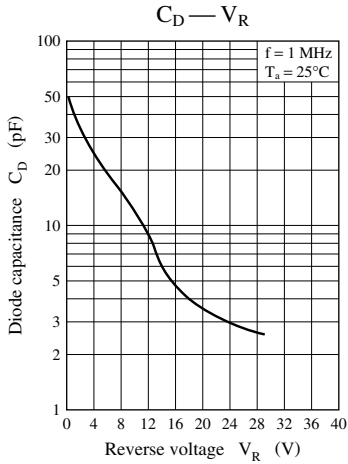
Marking Symbol: 6B

### ■ Electrical Characteristics $T_a = 25^\circ\text{C}$

Parameter	Symbol	Conditions	Min	Typ	Max	Unit
Reverse current (DC)	$I_R$	$V_R = 30\text{ V}$			10	nA
Diode capacitance	$C_{D(1V)}$	$V_R = 1\text{ V}, f = 1\text{ MHz}$		42		pF
	$C_{D(3V)}$	$V_R = 3\text{ V}, f = 1\text{ MHz}$	25.87		32.64	pF
	$C_{D(25V)}$	$V_R = 25\text{ V}, f = 1\text{ MHz}$	2.58		3.20	pF
	$C_{D(10V)}$	$V_R = 10\text{ V}, f = 1\text{ MHz}$	9.15		12.44	pF
	$C_{D(17V)}$	$V_R = 17\text{ V}, f = 1\text{ MHz}$	3.28		4.46	pF
Capacitance ratio	$C_{D(3V)}/C_{D(25V)}$		9			—
Diode capacitance deviation	$\Delta C$	$C_{D(3V)}/C_{D(10V)}/C_{D(17V)}/C_{D(25V)}$			3	%
Series resistance*	$r_D$	$C_D = 9\text{ pF}, f = 470\text{ MHz}$			1.6	$\Omega$

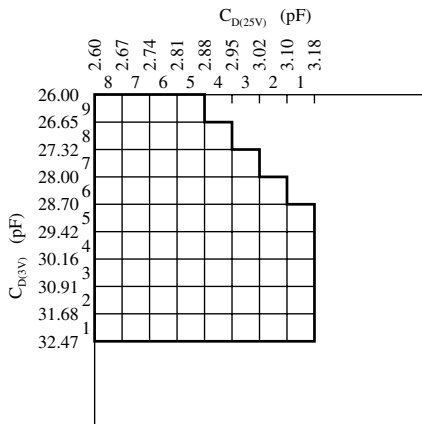
Note) 1. Rated input/output frequency: 470 MHz

2. \*:  $r_f$  measuring instrument: YHP MODEL 4191A RF IMPEDANCE ANALYZER



**$C_D$  rank classification**

**Primary rank classification**



**Secondary rank classification**

