

MA2Z365

Silicon epitaxial planar type

For CATV tuner

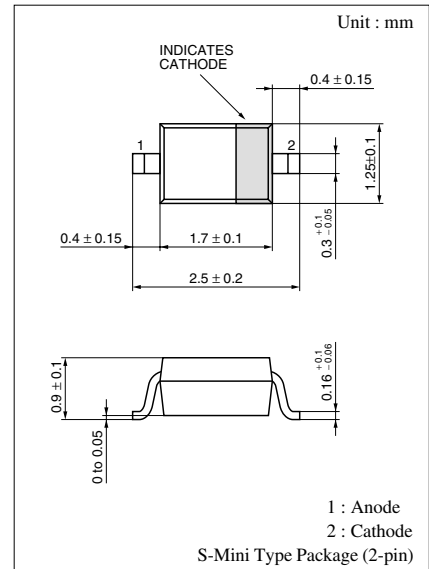
■ Features

- The largest capacitance ratio of 14 ($C_{D(2V)} / C_{D(25V)}$)
- S-mini type package, allowing downsizing of equipment and automatic insertion through the taping package

■ Absolute Maximum Ratings $T_a = 25^\circ\text{C}$

Parameter	Symbol	Rating	Unit
Reverse voltage (DC)	V_R	32	V
Peak reverse voltage*	V_{RM}	35	V
Forward current (DC)	I_F	20	mA
Junction temperature	T_j	150	$^\circ\text{C}$
Storage temperature	T_{stg}	-55 to +150	$^\circ\text{C}$

Note) * : $R_L = 10 \text{ k}\Omega$



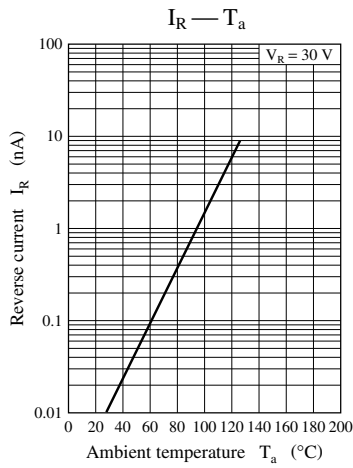
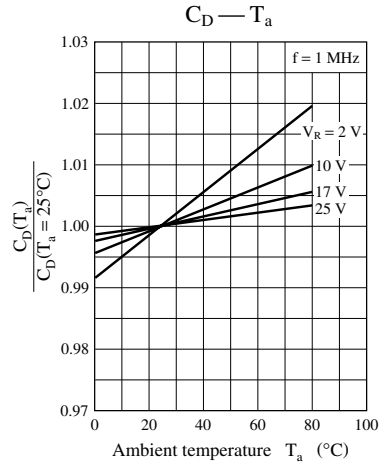
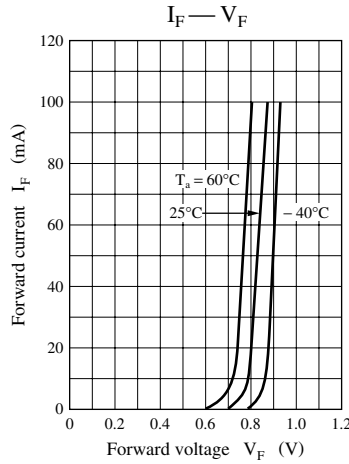
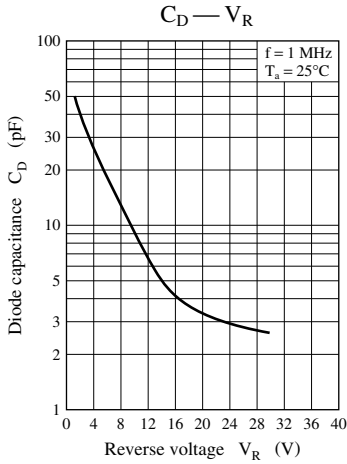
Marking Symbol: 6F

■ Electrical Characteristics $T_a = 25^\circ\text{C}$

Parameter	Symbol	Conditions	Min	Typ	Max	Unit
Reverse current (DC)	I_R	$V_R = 30 \text{ V}$			10	nA
Diode capacitance	$C_{D(2V)}$	$V_R = 2 \text{ V}, f = 1 \text{ MHz}$	36.00		42.59	pF
	$C_{D(25V)}$	$V_R = 25 \text{ V}, f = 1 \text{ MHz}$	2.54		3.08	pF
	$C_{D(10V)}$	$V_R = 10 \text{ V}, f = 1 \text{ MHz}$	8.00		11.31	pF
	$C_{D(17V)}$	$V_R = 17 \text{ V}, f = 1 \text{ MHz}$	3.40		4.63	pF
Capacitance ratio	$C_{D(2V)} / C_{D(25V)}$		13	14		—
Diode capacitance deviation	ΔC	$C_{D(2V)}(10V)(17V)(25V)$			2.5	%
Series resistance*	r_D	$C_D = 9 \text{ pF}, f = 470 \text{ MHz}$			0.85	Ω

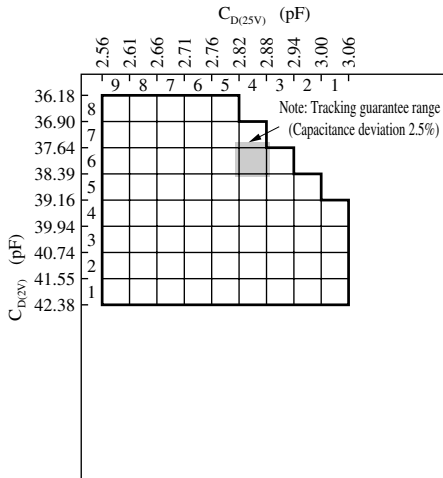
Note) 1. Rated input/output frequency: 470 MHz

2. *: r_f measuring instrument: YHP MODEL 4191A RF IMPEDANCE ANALYZER



C_D rank classification

Primary rank classification



Secondary rank classification

