

MA2Z368

Silicon epitaxial planar type

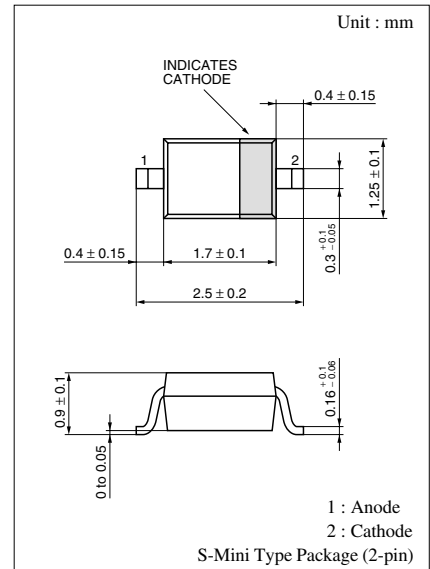
For UHF and SHF electronic tuners

■ Features

- Large capacitance ratio
- Small series resistance r_D
- S-mini type package, allowing downsizing of equipment and automatic insertion through the taping package and magazine package

■ Absolute Maximum Ratings $T_a = 25^\circ\text{C}$

Parameter	Symbol	Rating	Unit
Reverse voltage (DC)	V_R	32	V
Peak reverse voltage	V_{RM}	34	V
Forward current (DC)	I_F	20	mA
Junction temperature	T_j	150	$^\circ\text{C}$
Storage temperature	T_{stg}	-55 to +150	$^\circ\text{C}$



Marking Symbol: 6L

■ Electrical Characteristics $T_a = 25^\circ\text{C}$

Parameter	Symbol	Conditions	Min	Typ	Max	Unit
Reverse current (DC)	I_R	$V_R = 30\text{ V}$			50	nA
Diode capacitance	$C_{D(1V)}$	$V_R = 1\text{ V}, f = 1\text{ MHz}$	3.6	4.6	5.6	pF
	$C_{D(30V)}$	$V_R = 30\text{ V}, f = 1\text{ MHz}$	0.5	0.65	0.9	pF
Capacitance ratio	$C_{D(1V)}/C_{D(30V)}$		4			—
Series resistance*	r_D	$V_R = 4.5\text{ pF}, f = 470\text{ MHz}$		2		Ω

Note) 1. Rated input/output frequency: 470 MHz

2. *: r_f measuring instrument: YHP MODEL 4191A RF IMPEDANCE ANALYZER

