

MA2Z372

Silicon epitaxial planar type

For UHF and VHF electronic tuners

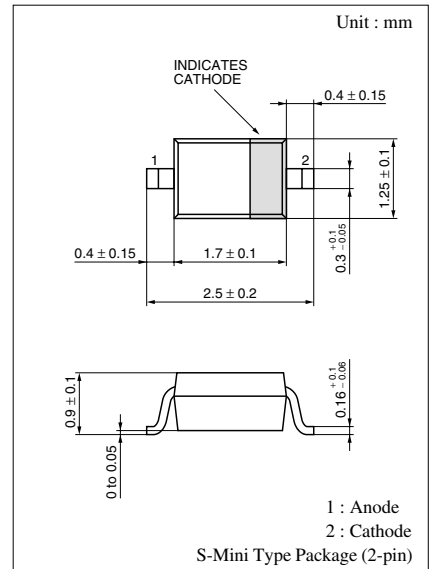
■ Features

- Large capacitance ratio
- Small series resistance r_D
- S-mini type package, allowing downsizing of equipment and automatic insertion through the taping package

■ Absolute Maximum Ratings $T_a = 25^\circ\text{C}$

| Parameter | Symbol | Rating | Unit |
|-----------------------|-----------|-------------|------------------|
| Reverse voltage (DC) | V_R | 32 | V |
| Peak reverse voltage* | V_{RM} | 34 | V |
| Forward current (DC) | I_F | 20 | mA |
| Junction temperature | T_j | 150 | $^\circ\text{C}$ |
| Storage temperature | T_{stg} | -55 to +150 | $^\circ\text{C}$ |

Note) * : $R_L = 2.2 \text{ k}\Omega$



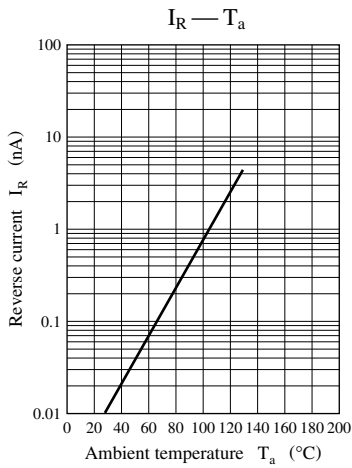
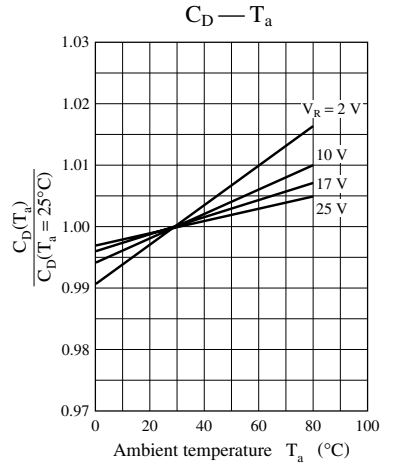
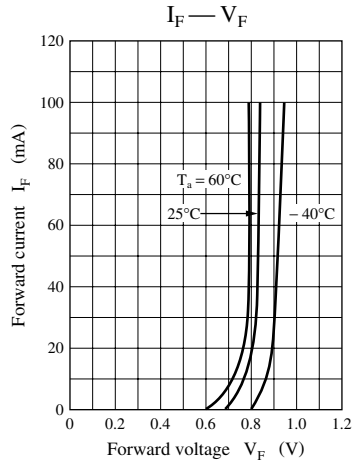
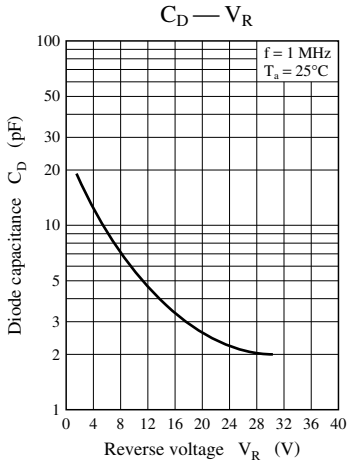
Marking Symbol: 6N

■ Electrical Characteristics $T_a = 25^\circ\text{C}$

| Parameter | Symbol | Conditions | Min | Typ | Max | Unit |
|-----------------------------|-------------------------|--|--------|-----|--------|----------|
| Reverse current (DC) | I_R | $V_R = 30 \text{ V}$ | | | 10 | nA |
| Diode capacitance | $C_{D(2V)}$ | $V_R = 2 \text{ V}, f = 1 \text{ MHz}$ | 14.220 | | 15.473 | pF |
| | $C_{D(25V)}$ | $V_R = 25 \text{ V}, f = 1 \text{ MHz}$ | 2.132 | | 2.321 | pF |
| | $C_{D(10V)}$ | $V_R = 10 \text{ V}, f = 1 \text{ MHz}$ | 5.307 | | 6.128 | pF |
| | $C_{D(17V)}$ | $V_R = 17 \text{ V}, f = 1 \text{ MHz}$ | 2.909 | | 3.411 | pF |
| Capacitance ratio | $C_{D(2V)}/C_{D(25V)}$ | | 6.22 | | | — |
| | $C_{D(10V)}/C_{D(17V)}$ | | 1.70 | | 1.96 | — |
| Diode capacitance deviation | ΔC | $C_{D(2V)}/C_{D(10V)}/C_{D(17V)}/C_{D(25V)}$ | | | 2 | % |
| Series resistance* | r_D | $C_D = 9 \text{ pF}, f = 470 \text{ MHz}$ | | | 0.45 | Ω |

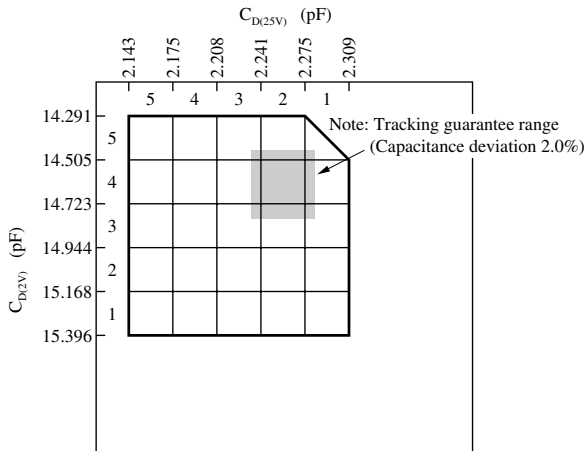
Note) 1. Rated input/output frequency: 470 MHz

2. * : r_f measuring instrument: YHP MODEL 4191A RF IMPEDANCE ANALYZER



C_D rank classification

Primary rank classification



Secondary rank classification

