

MA2Q735

Silicon epitaxial planar type

For switching circuits

■ Features

- Forward current (average) $I_{F(AV)}$: 1 A type
- Reverse voltage (DC value) V_R : 30 V
- Allowing automatic insertion with the emboss taping

■ Absolute Maximum Ratings $T_a = 25^\circ\text{C}$

Parameter	Symbol	Rating	Unit
Reverse voltage (DC)	V_R	30	V
Repetitive peak reverse voltage	V_{RRM}	30	V
Average forward current* ¹	$I_{F(AV)}$	1	A
Non-repetitive peak forward surge current* ²	I_{FSM}	30	A
Junction temperature	T_j	-40 to +125	$^\circ\text{C}$
Storage temperature	T_{stg}	-40 to +125	$^\circ\text{C}$

Note) *1: With a printed-circuit board (copper foil area $2\text{ mm} \times 2\text{ mm}$ or more on both cathode and anode sides)

*2: The peak-to-peak value in one cycle of 50 Hz sine-wave (non-repetitive)

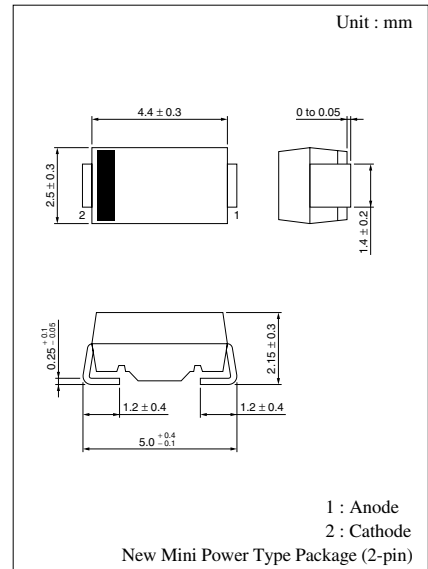
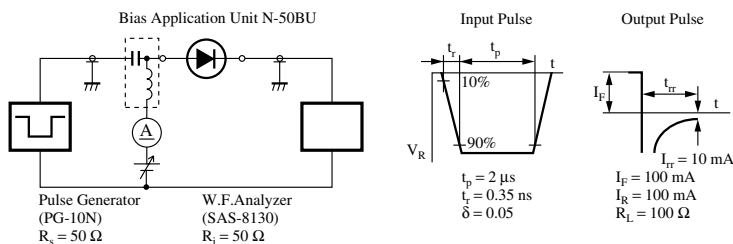
■ Electrical Characteristics $T_a = 25^\circ\text{C}$

Parameter	Symbol	Conditions	Min	Typ	Max	Unit
Reverse current (DC)	I_R	$V_R = 30\text{ V}$			1	mA
Forward voltage (DC)	V_F	$I_F = 1\text{ A}$			0.5	V
Terminal capacitance	C_t	$V_R = 10\text{ V}, f = 1\text{ MHz}$		50		pF
Reverse recovery time*	t_{rr}	$I_F = I_R = 100\text{ mA}$ $I_{tr} = 10\text{ mA}, R_L = 100\ \Omega$			30	ns

Note) 1. Schottky barrier diode is sensitive to electric shock (static electricity, etc.). Due attention must be paid on the charge of a human body and the leakage of current from the operating equipment

2. Rated input/output frequency: 20 MHz

3. *: t_{rr} measuring instrument



Marking Symbol: PA

