

PN163NC

Silicon NPN Phototransistor

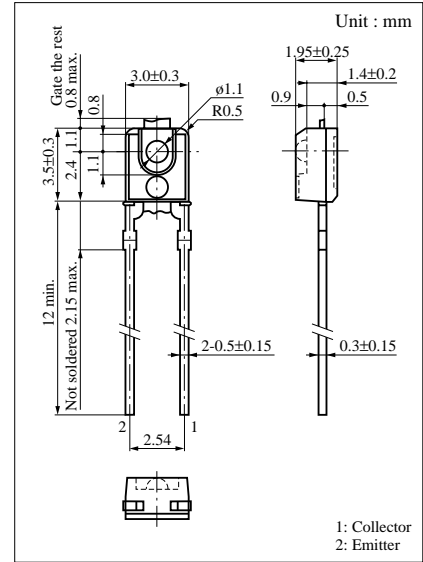
For optical control systems

■ Features

- High sensitivity
- Fast response : $t_r = 4 \mu\text{s}$ (typ.)
- Adoption of visible light cutoff resin
- Ultraminiature, thin side-view type package

■ Absolute Maximum Ratings ($T_a = 25^\circ\text{C}$)

Parameter	Symbol	Rated	Unit
Collector to emitter voltage	V_{CE0}	20	V
Collector current	I_C	20	mA
Collector power dissipation	P_C	50	mW
Operating ambient temperature	T_{opr}	-25 to +85	$^\circ\text{C}$
Storage temperature	T_{stg}	-30 to +100	$^\circ\text{C}$

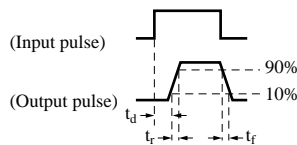
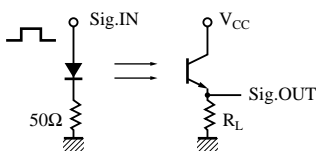


■ Electro-Optical Characteristics ($T_a = 25^\circ\text{C}$)

Parameter	Symbol	Conditions	min	typ	max	Unit
Dark current	I_{CE0}	$V_{CE} = 10\text{V}$			0.2	μA
Sensitivity to infrared emitters	S_{IR}^{*1}	$V_{CE} = 10\text{V}, H = 15\mu\text{W}/\text{cm}^2$	6		40	μA
Peak sensitivity wavelength	λ_P	$V_{CE} = 10\text{V}$		850		nm
Acceptance half angle	θ	Measured from the optical axis to the half power point		25		deg.
Rise time	t_r^{*2}	$V_{CC} = 10\text{V}, I_{CE(L)} = 5\text{mA}$		4		μs
Fall time	t_f^{*2}	$R_L = 100\Omega$		4		μs
Collector saturation voltage	$V_{CE(sat)}$	$I_{CE(L)} = 3\mu\text{A}, H = 15\mu\text{W}/\text{cm}^2$			0.5	V

*1 Measurements were made using infrared light ($\lambda = 940 \text{ nm}$) as a light source.

*2 Switching time measurement circuit



t_d : Delay time

t_r : Rise time (Time required for the collector photo current to increase from 10% to 90% of its final value)

t_f : Fall time (Time required for the collector photo current to decrease from 90% to 10% of its initial value)

