

MN88413

Channel Decoder LSI for Digital Satellite Broadcast Reception

■ Overview

The MN88413 is a channel decoder LSI that integrates functions for digital satellite communications and broadcast reception on a single chip.

The MN88413 supports both the Digital Video Broadcast (DVB) and the Digital Satellite System (DSS®) specifications. It also supports a variable transport rate that can be set under program control using a fixed system clock frequency and can implement a channel decoder with a minimal number of external components.

■ Features

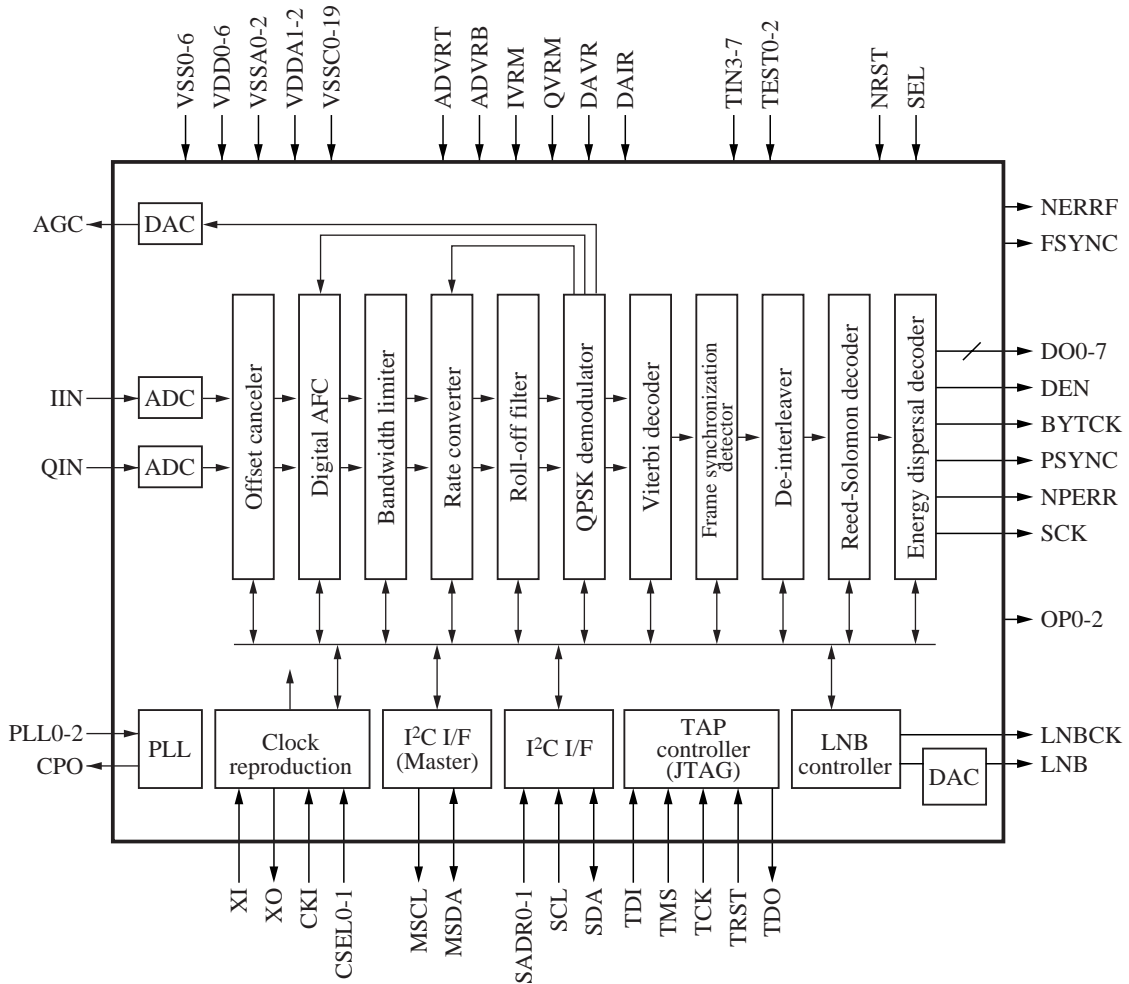
- Can be used in systems conforming to DVB, in US DIRECTV® systems, and in single carrier per channel (SCPC) communication systems.
- Integrates a 2-channel A/D converter, a variable rate QPSK demodulator, and forward error correction (FEC) on a single chip.
- Supports transfer rates from 1 Mbps to 90 Mbps.
- On-chip I/Q baseband signal offset voltage circuit and on-chip reference voltage circuit for the A/D and D/A converters.
- On-chip PLL circuit
- BER monitor function
- I²C bus master circuit for tuner control
- Supports LNB control clock and DiSEqC 1.0/1.1 and can output DiSEqC messages.
- General-purpose input and output ports
- On-chip boundary scan test circuit conforming to IEEE 1149.1

■ Applications

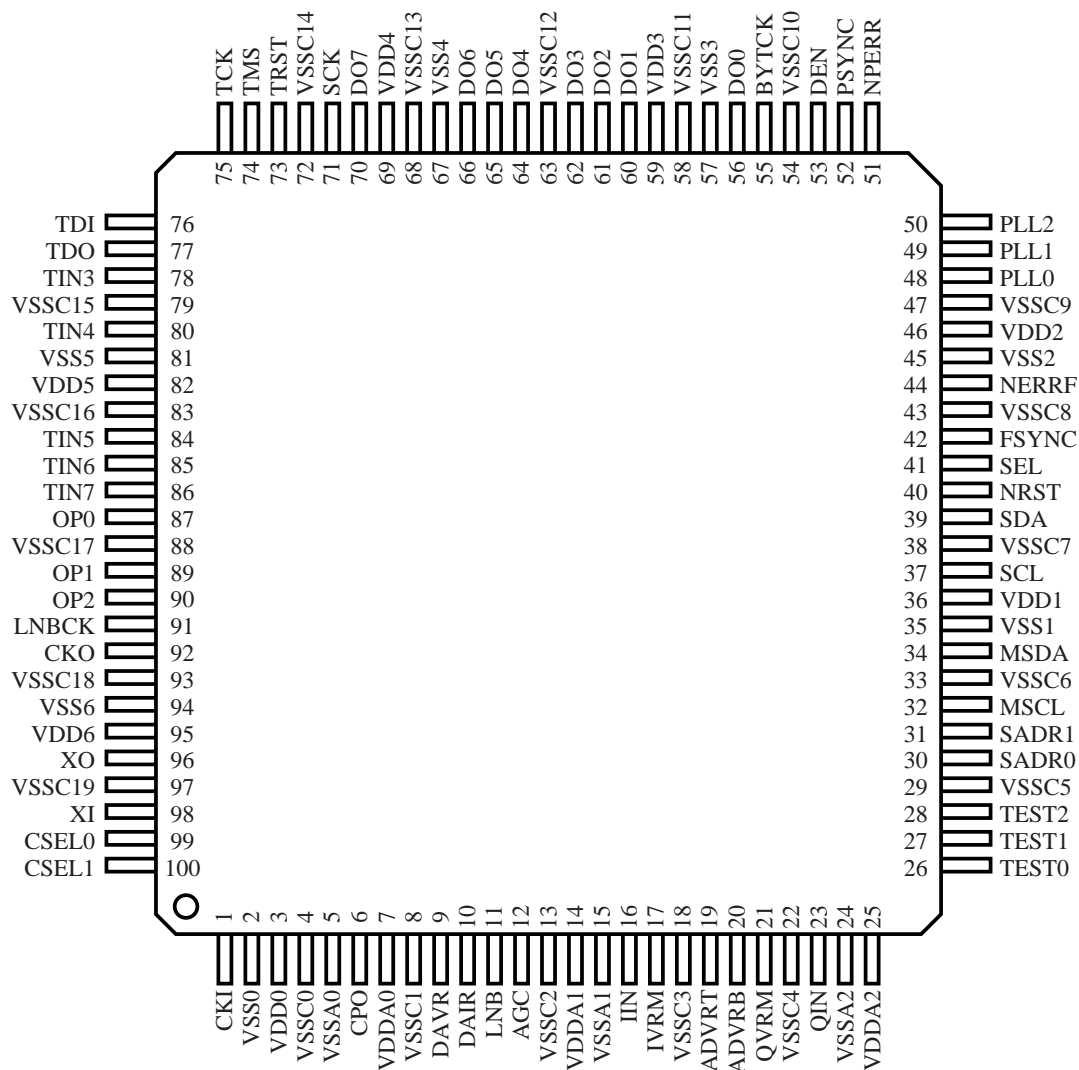
- Digital satellite broadcast receivers

Note: DSS® and DIRECTV® are registered trademarks of DIRECTV, Inc.

■ Block Diagram



■ Pin Assignment



■ Specifications Overview

- QPSK demodulator
 - Data rate : 1 Mbps to 90 Mbps
 - A/D converter resolution : 6 bits
 - Linearity error : ± 0.5 LSB (typical)
 - Differential linearity error : ± 0.5 LSB (typical)
 - Input voltage level : 1.5 V [p-p] (typical) [On-chip self-bias circuit]
 - Roll-off rate : Switchable between the DVB and the DSS[®] specifications.
 - AFC range : $\pm (<\text{symbol rate}>/8)$
 - Synchronization establishment time : 100 ms or less.
 - D/A converter used for LNB/AFC and AGC
 - Resolution : 8 bits
 - Linearity error : ± 0.5 LSB (typical)
 - Differential linearity error : ± 0.5 LSB (typical)
 - Output voltage level : 1.0 V [p-p] (typical) [0.0 V to 1.0 V]

- Viterbi decoder : Switchable between the DVB and the DSS[®] specifications.
 - : Automatic detection of encoding ratios in the range 1/2 to 7/8.
 - : Auto-synchronous operation

- Frame synchronization detection, De-interleaver, Reed-Solomon decoding, and Energy dispersal
 - : Switchable between the DVB and the DSS[®] specifications.

- PLL circuit : Reference clock input frequency: 4 MHz to 30 MHz

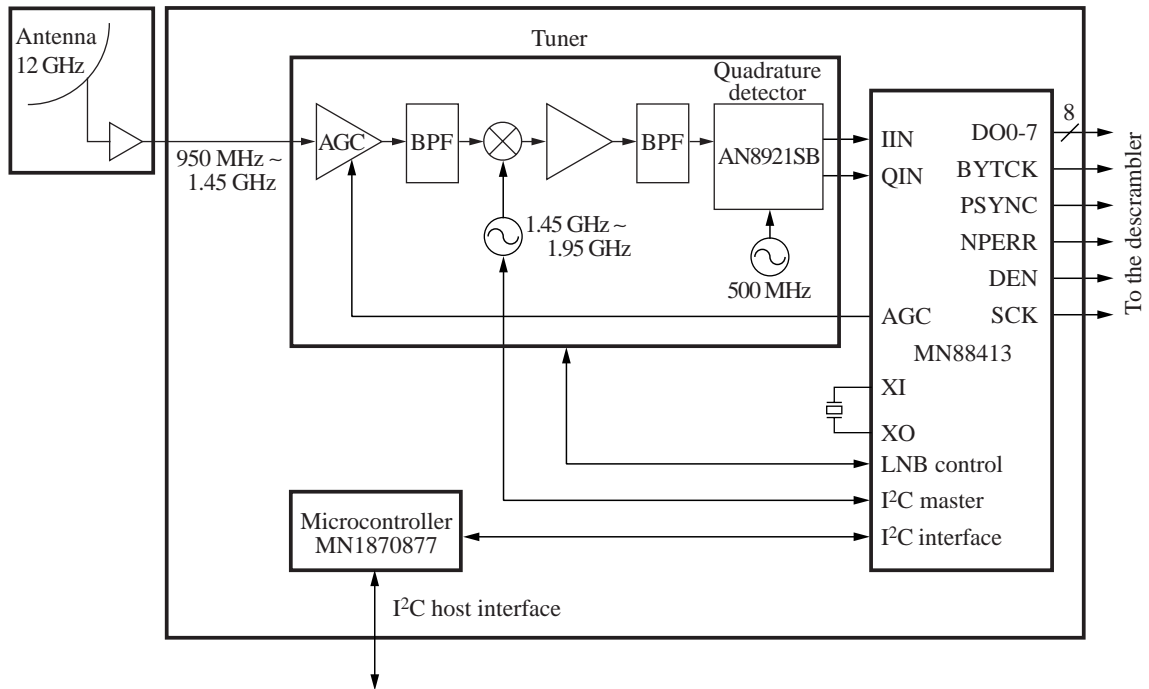
- CPU interface : I²C bus interface

- Supply voltage : 3.3 V ± 0.165 V

- Power dissipation : 990 mW (typical) [at VDD = 3.3 V, 60 Mbps, R = 7/8]

- Package : QFP100-P-1818B (18 × 18 mm)

■ System Application Example



■ Package Dimensions (units: mm)

- QFP100-P-1818B

