

MN86157

Shading Correction LSI

■ Overview

The MN86157 contains a 7-bit A/D converter for use in correcting, at the bit level, shading distortion for signals from image sensors, optics, and similar sources.

It uses external RAM to support adaptive correction that responds to changes in distortion patterns. It also uses ROM to provide fixed correction when a white reference plane signal is not available.

The chip is also usable as a stand-alone A/D converter.

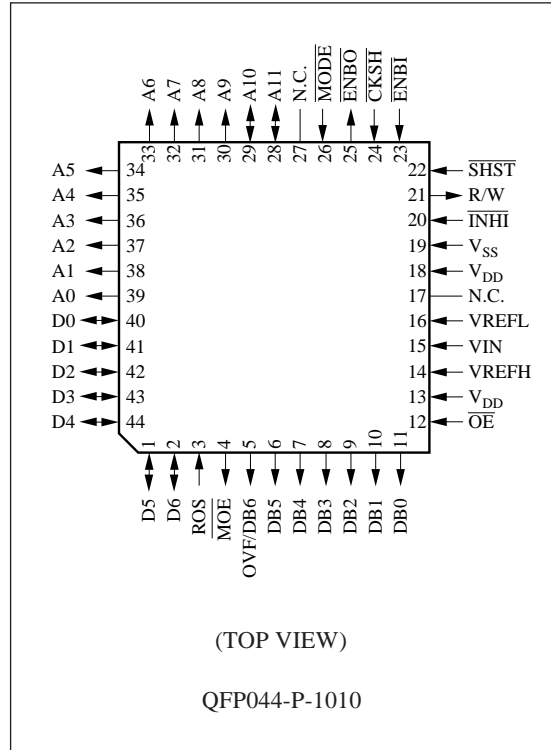
■ Features

- Choice of correction range (50% or 75%) depending on extent of shading distortion
- Parallel A/D converter functions
 - Resolution: 7 bits
 - Non-linearity: $\pm 1/2$ LSB
 - Conversion speed: max. 5 MHz
 - Note: This is the guaranteed design value for the chip used as a stand-alone A/D converter. The guaranteed value at shipment is ± 3 LSB
- Ability to start and stop clock in the middle of a line to support CdS contacting image sensors and other devices with variable scanning rates
- Overflow pin that simplifies task of adding auto background control (ABC) circuit
- Single 5 volt power supply
- Guaranteed TTL levels for input

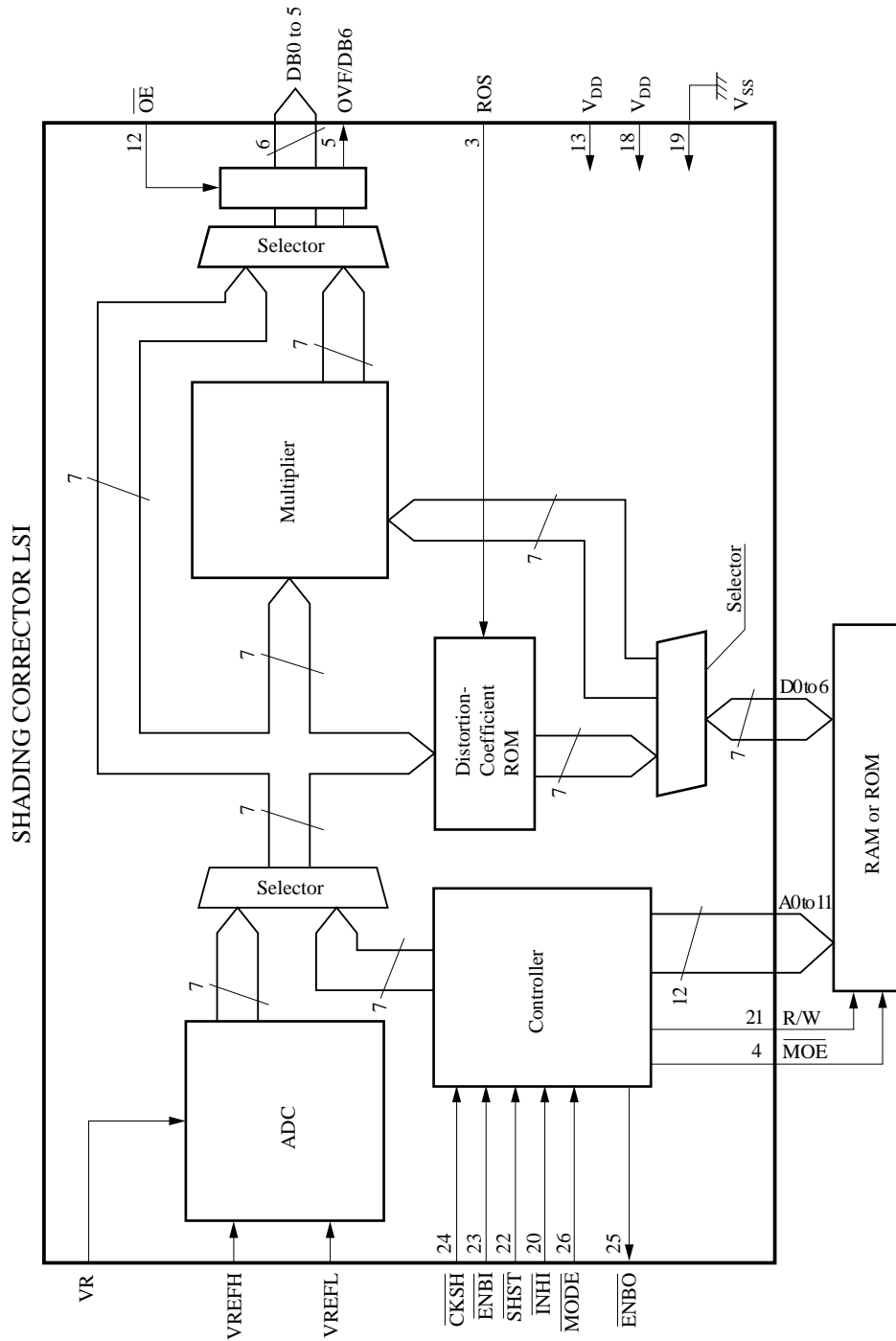
■ Applications

- Facsimile equipment

■ Pin Assignment



■ Block Diagram



■ MN86157 Block Configuration

The MN86157 consists of four basic blocks: (1) A/D converter, (2) distortion coefficient mapping ROM, (3) multiplier, and (4) controller.

The following are brief descriptions of each block.

- (1) A/D converter
This uses comparison with the reference voltages to convert the scanner's image data signal from the VIN pin to a 7-bit digital output.
- (2) Distortion coefficient mapping ROM
This constitutes a look-up table for converting the A/D converter output to a final value for storage in the external RAM.
- (3) Multiplier
This provides high-speed parallel multiplication of 7×7 bits data.
- (4) Controller
This controls operation of the shading correction circuits, the A/D converter, and interface to external ROM or RAM.

■ Operation

- Shading correction ($\overline{\text{MODE}}$ pin at "H" level)
 - Fixed distortion coefficients (external memory is ROM)
This configuration provides 6-bit corrected data using fixed distortion coefficients stored in an external ROM and thus invariant.
 - Adaptive distortion coefficients (external memory is RAM)
This configuration provides 6-bit corrected data using distortion coefficients, stored in external RAM, that the chip constantly updates using white reference plane line training.
- Pixels per line
The chip supports line lengths up to 4096 pixels with a built-in 12-bit address counter supporting interfaces to two $2^{11} \times 8$ -bit RAM chips or the equivalent of a 2732 ROM ($2^{12} \times 8$ bits).
- Input clock
The chip uses an input clock signal with a frequency twice that of the image clock.
- Selecting correction range
The ROS pin provides a choice of two correction ranges and consequently correction precisions.

ROS	Correction Range	Correction Precision
H	50%	$\pm 1.5\%$
L	75%	$\pm 3.0\%$

- Correction start/stop function
Pulling the $\overline{\text{INH}}$ pin to "L" level in the middle of a line suspends correction and maintains the output data at its current value. Returning the pin to "H" level restarts correction.
- Auto clamp and overflow functions for output data
If the image input signal level exceeds the white reference plane level, the chip clamps the output data at the full-scale value ($3F_H$) and drives the overflow pin (OVF) at "H" level.

- Stand-alone A/D converter ($\overline{\text{MODE}}$ pin at "L" level, A10 pin at "L" level)
 - In this configuration, the chip functions as a parallel A/D converter consisting of 128 chopper comparators.
 - Resolution: 7 bits
 - Non-linearity: $\pm 1/2$ LSB
 - Conversion speed: max. 5 MHz
 - Analog input range: 3V p-p
(V_{DD} 5V)
 - Clock mode selection
The A11 pin provides a choice of two clock modes.

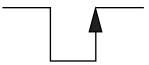
A11	Input Clock Conditions
L	$\overline{\text{CKSH}}$: Supply a clock signal with a frequency twice that of the input image clock. *1
	$\overline{\text{SHST}}$: Supply the A/D start signal for use in synchronizing phase.
H	$\overline{\text{CKSH}}$: Supply a clock signal with a frequency twice that of the input image clock. *2
	$\overline{\text{ENBI}}$: Supply a clock signal with the same frequency as the input image clock.

Notes

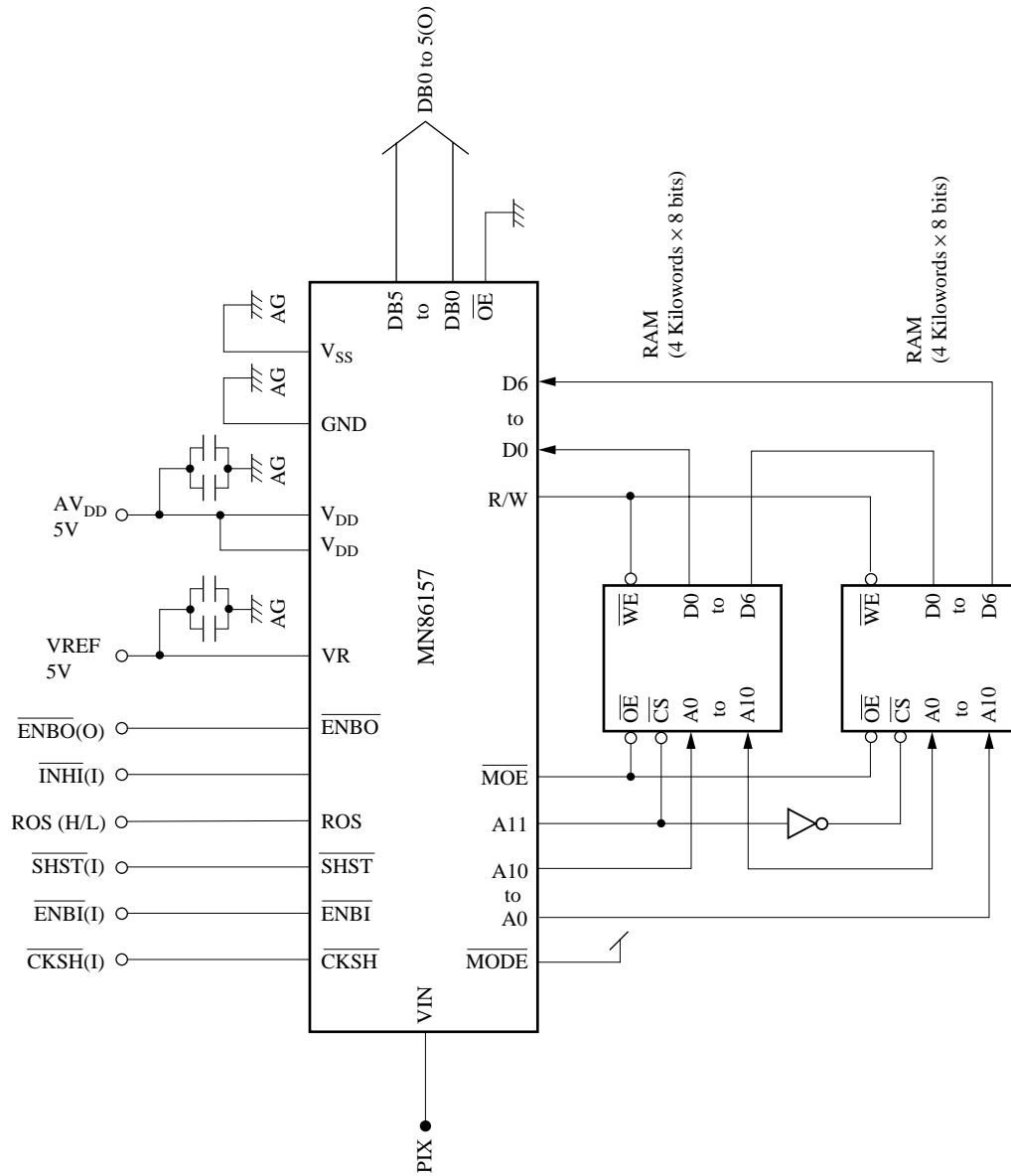
*1: ENBI —

*2: SHST: Keep this pin at "H" level.

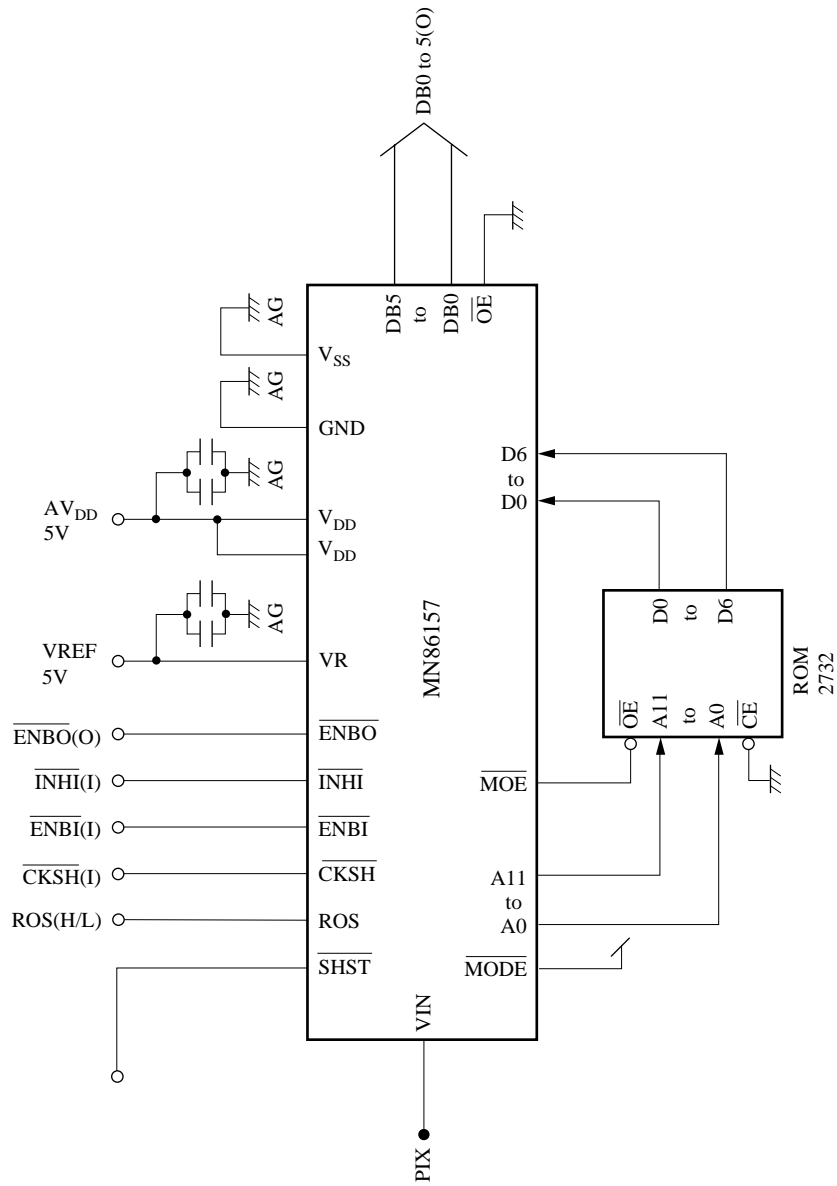
■ Pin Descriptions

Parameter	Pin No.	Symbol	I/O	Function Description	Remarks
A/D converter block	15	VIN	I	Analog image signal input	
	14	VREFH	—	Reference voltage input	"H" level reference voltage input
	16	VREFL	—	Reference ground	"L" level reference voltage input
MULT converter block	11 to 6	DB 0 to 5	O	Corrected image signal output /A/D converter data output	MODE: H /MODE: L
	5	OVF/DB6	O	Corrected image signal overflow output/A/D converter data output	MODE: H /MODE: L
	12	$\overline{\text{OE}}$	I	Output enable signal input for DB0 – DB5 and OVF	H: Pins are high-impedance; L: Pins provide output
CTL converter block	23	$\overline{\text{ENBI}}$	I	Enable signal input for single line	
	22	$\overline{\text{SHST}}$	I	Start input for reading white reference signal	 Low pulse signals start.
	24	$\overline{\text{CKSH}}$	I	Clock signal input	The frequency must be twice that of the image clock.
	20	$\overline{\text{INHI}}$	I	Signal for suspending correction in the middle of a line and holding the output at the current value	H: Normal correction operation; L: Stop and hold
	25	$\overline{\text{ENBO}}$	O	Enable signal for corrected image data output	
	3	ROS	I	Correction range selection	H: 50% correction; L: 75% correction
	26	$\overline{\text{MODE}}$	I	Operating mode selection	H: Shading correction; L: A/D conversion only
RAM /ROM IO converter block	39 to 28	A 0 to 11	O	RAM/ROM address output	
	40 to 44, 1, 2	D 0 to 6	I/O	RAM/ROM data I/O	
	21	$\overline{\text{R/W}}$	O	RAM read/write signal	
	4	MOE	O	RAM/ROM output enable signal	

■ Application Circuit Example #1: Using RAM



■ Application Circuit Example #2: Using ROM



■ Packing Dimensions (Unit: mm)

QFP044-P-1010

