

MN102L35G

| | | | |
|---|--------------|---|-----------------|
| Type | | MN102L35G | |
| ROM (×16-Bit) | | 144 K | |
| RAM (×16-Bit) | | 5 K | |
| Minimum Instruction Execution Time | | 167 ns (at 4.75 V to 5.25 V, 12 MHz) | |
| Interrupts | | External (4 lines) Internal (23 lines) · Timer × 8, A/D × 1, Undefined command × 1, RESET × 1, OSD × 2, Serial × 2, I ² C × 1, Caption × 2, Remote Control × 1, Address coincidence × 4 | |
| Timer Counter | | 8-Bit timer × 2 16-Bit timer × 2 Watchdog timer: 17-Bit × 1 | |
| Serial Interface | | I ² C × 1 For multimaster mode, Bus line (output) has 2 systems Sync serial / I ² C (master) / UART × 1 | |
| Caption | | • Built-in sync separator × 2 | |
| I/O Pins | I/O | 49 | • Common use 49 |
| | Input | 1 | • Common use 1 |
| A/D Inputs | | 8-Bit × 8ch (with S/H) | |
| D/A Inputs | | 4-Bit × 4ch (Analog R, G, B, YM Output) | |
| PWM | | 8-Bit × 6ch | |
| Special Ports | | Remote Control Reception | |
| CRTC | | 3-Layer display (graphics, characters, splits) | |
| Notes | | Remote control input discriminant circuit built-in | |
| Package | | SDIP064-P-0750 | |

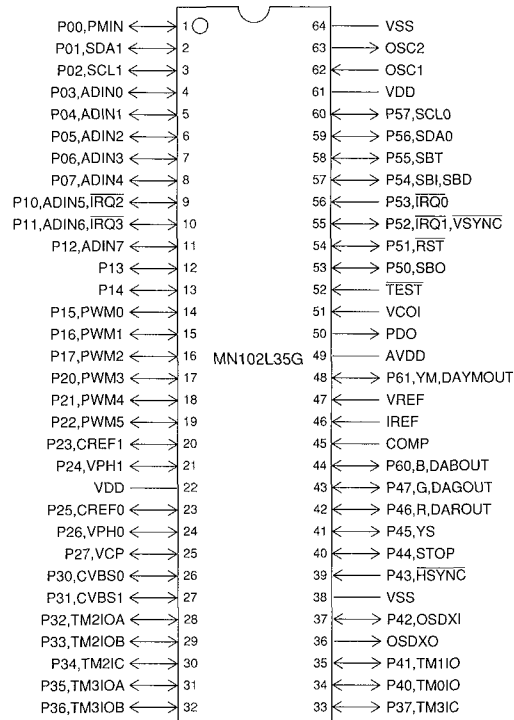
Electrical Characteristics

D/A Characteristics

| Parameter | Symbol | Condition | Limit | | | Unit |
|-----------------------------------|--------|--|-------|-----|------|------|
| | | | min | typ | max | |
| D/A Full-Scale Output Current | IFS | RL = 200 Ω VREF = 1.2 V RIREF = 1.2 kΩ | 4.5 | 5.0 | 5.5 | mA |
| D/A Output Voltage Setting Range | VO | RL = 200 Ω VREF = 1.2 V RIREF = 1.2 kΩ | 0 | | 1.1 | V |
| D/A Non-Linear Error | NLE | RL = 200 Ω VREF = 1.2 V RIREF = 1.2 kΩ | | | ±0.5 | LSB |
| D/A Differential Non-Linear Error | DNLE | RL = 200 Ω VREF = 1.2 V RIREF = 1.2 kΩ | | | ±0.5 | LSB |
| D/A Channel Interval Error | IFS | VREF = 1.2 V RIREF = 1.2 kΩ Error from 4-Channel average IFS | | | ±5 | % |

(Ta = 25 °C, VDD = AVDD = 5.0 V, VSS = 0 V, fosc = 4 MHz)

Pin Assignment



SDIP064-P-0750

Support Tool

| | | |
|----------------------------|---|--------------------------------------|
| In-Circuit Emulator | PX-ICE102L00 + PX-PRB102L35 | |
| EPROM built-in Type | Type | MN102LP35G |
| | ROM (× 16-Bit) | 144 K |
| | RAM (× 16-Bit) | 5 K |
| | Minimum Instruction Execution Time | 167 μs (at 4.75 V to 5.25 V, 12 MHz) |
| | Package | SDIP064-P-0750 |